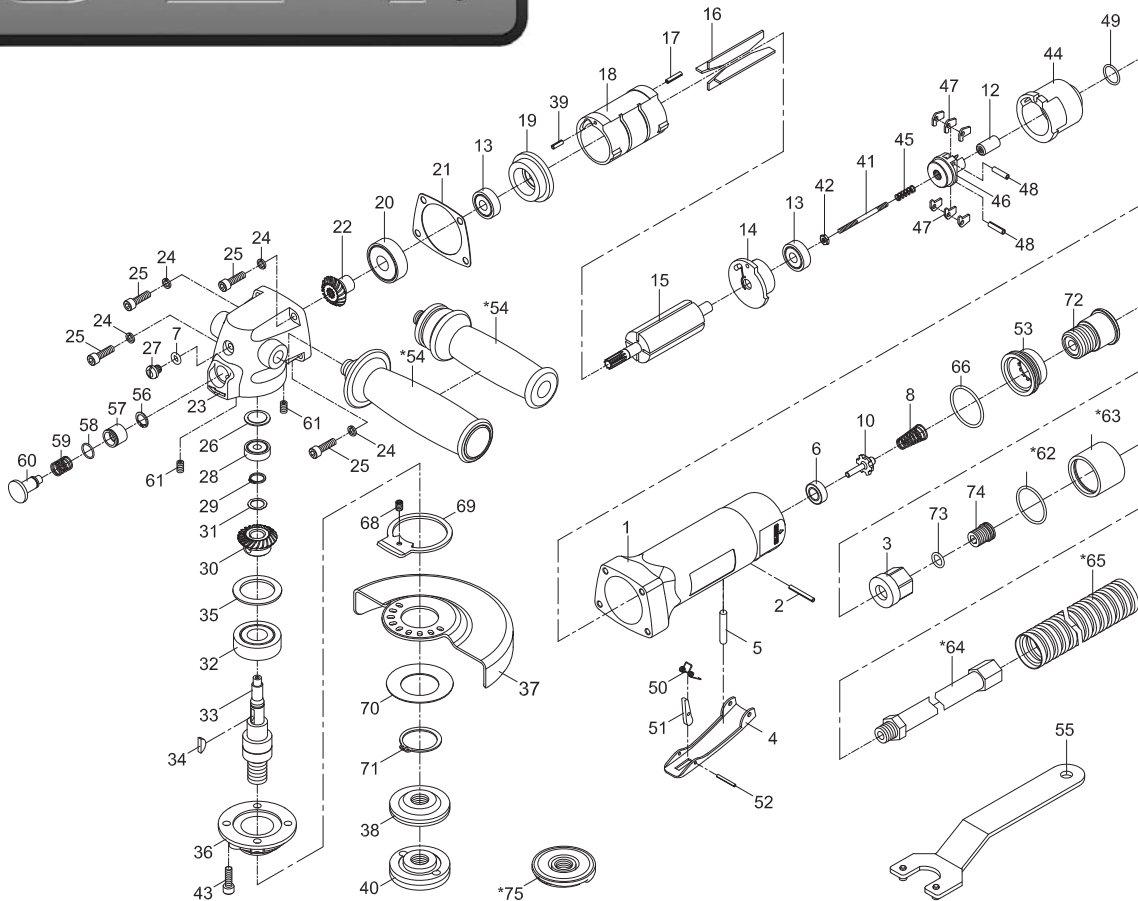




Model AG-4.5S

4-1/2" Governed Disc Grinder

Stock No. 526345



Index Part No	Description	Qty	Index Part No	Description	Qty
1	AG4S-01..... Motor Housing.....	1	19	AG4S-19..... Frnt End Plate	1
2	SM-30102..... Spring Pin (3x24)	1	20	BB-6201Z Ball Bearing (6201Z).....	1
3	JSM5130-03 .. Air Inlet.....	1	21	AG4S-21 Gasket.....	1
4	JSM5130-04 .. Throttle Lever.....	1	22	SM-61922 Bevel Gear	1
5	AG4S-05..... Pin	1	23	AG4S-23..... Gear Housing	1
6	JSM7572-145 Rubber Spacer.....	1	24	40344 Spring Washer (M5)	4
7	SM-61907..... O-Ring (4.9x2.2).....	1	25	AG4S-25..... Screw (M5x18)	4
8	73108 Spring	1	26	SM-61926 Spacer.....	1
10	JSM7572-146 Valve Stem.....	1	27	SM-61927 Screw (M6x6)	1
12	SM-61912..... Plunger	1			
13	BB-608ZZ Ball Bearing (608ZZ)	2			
14	AG4S-14..... Rear Plate.....	1			
15	SM-61915..... Rotor.....	1			
16	SM-61916..... Rotor Blade.....	4			
17	AG4S-17..... Spring Pin (2.5x12).....	1			
18	AG4S-18..... Cylinder.....	1			

Parts List continued on back

To order parts, call our service department at 800-274-6848 between 8:00 a.m. and 5:00 p.m. (CST), Monday through Friday. Having the Model Number and Serial Number will allow us to serve you quickly and accurately.

JET
 427 New Sanford Road
 La Vergne, Tennessee 37086
 Ph.: 800-274-6848
 www.jettools.com

Part No. M-526345
 Revision B2 06/2014

Copyright © 2014 JET, a Division of JPW Industries, Inc.

Index Part No	Description	Qty	Index Part No	Description	Qty		
28	BB-626ZZ	Ball Bearing (626ZZ)	1	52	51542	Spring Pin (2x18)	1
29	SM-60319	Retaining Ring (STW-10)	1	53	AG4S-53	Exhaust Diffuser	1
30	AG4S-30	Bevel Gear	1	54	AG4S-54-1	Reduced Vibration Handle	1
31	SM-61931	Wave Washer (WW-10)	1	55	AG4.5S-55	Pin Wrench	1
32	BB-6202ZZ	Ball Bearing (6202ZZ)	1	56	AG4S-56	Retaining Ring (ISTW-7)	1
33	AG4.5S-33	Spindle (5/8"-11UNC)	1	57	AG4S-57	Bushing	1
34	SM-61934	Key	1	58	52236	O-Ring (10.5x1)	1
35	AG4S-35	Spacer	1	59	AG4S-59	Spring	1
36	AG4S-36	Bearing Cap	1	60	AG4S-60	Spindle Stop Button	1
37	AG4.5S-37	Disc Cover	1	61	AG4S-61	Set Screw (M5x8)	1
38	AG4.5S-38	Flange (5/8"-11UNC)	1	62	---	O-Ring	1
39	61048	Spring Pin (2.5x8)	1	63	---	Clamp	1
40	AG4.5S-40	Flange Nut (5/8"-11UNC)	1	64	---	Hose	1
41	SM-61941	Adjust Screw	1	65	---	Exhaust Hose	1
42	SM-61942	Adjust Nut	1		AG4S-EHA	Exhaust Hose Assembly ¹	1
43	40343-12	Screw (M5x16)	4	66	AG4S-66	O-Ring (29.5x2)	1
44	AG4S-44	Inlet Guide	1	68	AG4S-68	Spring	1
45	SM-61945	Spring	1	69	AG4S-69	Lock Ring	1
46	SM-61946	Governor	1	70	AG4S-70	Disk Spring	1
47	SM-61947	Pendulum	6	71	AG4S-71	Retaining Ring (STW-27)	1
48	AG4S-48	Spring Pin (3x12)	2	72	AG4S-72	Fixed Shaft	1
49	AG4S-49	O-Ring (13.5x1.5)	1	73	JSM5130-11	O-Ring (7.5x1.5)	1
50	JSM5130-41	Spring	1	74	JSM5130-39	Screw	1
51	JSM5130-40	Safety Bar	1	75 *	AG4.5S-75	Quick Nut (5/8"-11UNC)	1
					RPK-AGS4	Repair Kit ²	
					RBK-AG4.5S	Rebuild Kit ³	

¹ Contains Index No.'s 62 thru 65

² Contains Index No.'s 7, 11, 16, 21, 56, 57, 58, 59, 60, 66, 73

³ Contains Index No.'s 20, 22, 30, 32, 33

Specifications

Stock Number	526345
Model Number	AG-4.5S
Wheel Size (Dia x Bore x Thk/in.)	4-1/2 x 5/8 x 1/4
Spindle Thread (in./TPI)	5/8-11
Horsepower (HP)	3/4
Free Speed (RPM)	10,000
Average Air Consumption (CFM)	4
Air Inlet (in.)	1/4
Air Hose Inside Diameter (in.)	3/8
Vibration Value (m/s ²)	0.65
Noise Level (dB)	83
Overall Length (in.)	9
Weight (lbs)	10