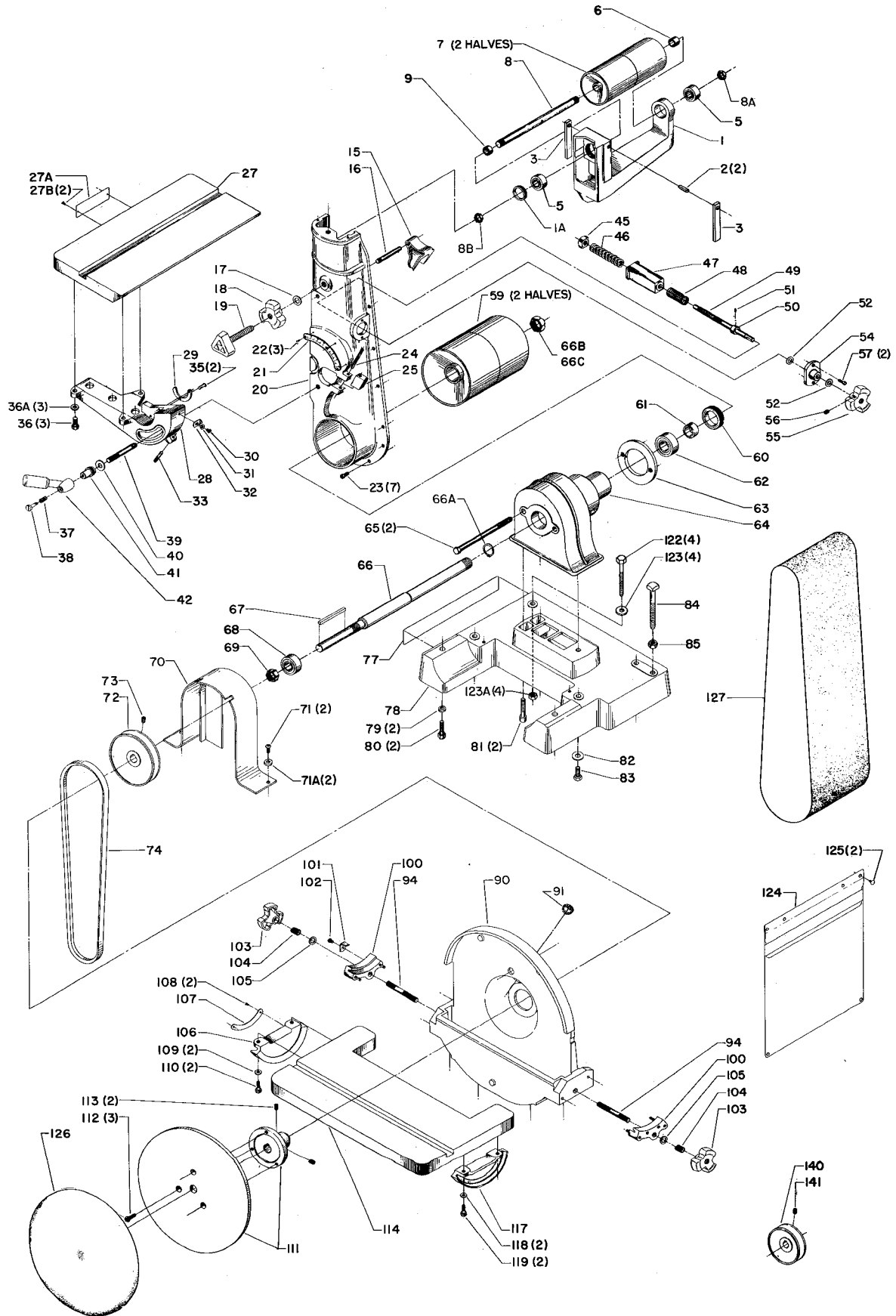


## 6" BELT AND 12" DISC FINISHING MACHINE



## REPLACEMENT PARTS

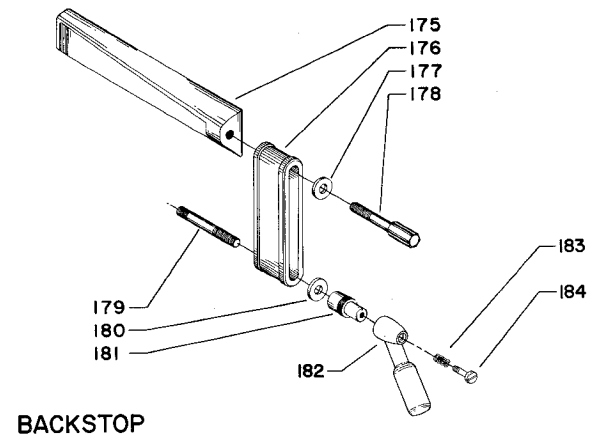
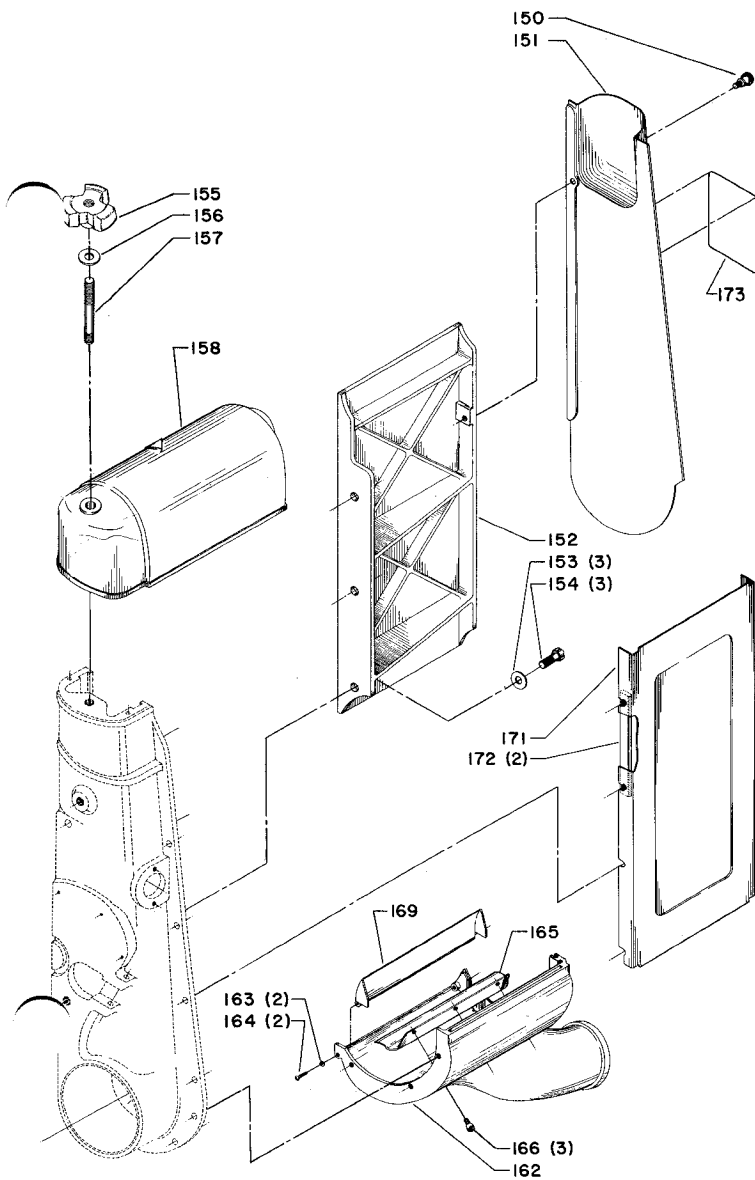
REF. NO.	PART NO.	DESCRIPTION	REF. NO.	PART NO.	DESCRIPTION
*	406-03-362-0001	Idler Drum Brkt., Ass'y., Const of:	72	41-074	4-1/2" Dia. Arbor Pulley, 3/4" Bore, Incl.:
1	406-03-014-0001	Idler Drum Brkt	73	901-04-150-0206	5/16-18 X 5/16" Hex Soc. Set Screw
1A	902-07-020-7176	Bearing Closure Nut - 1.62" O.D.	74	49-035	"V" Belt, 55 3/8" O.C.
2	905-01-010-5085	5/16 X 3/4" Roll Pin	77	424-03-754-0001	Nameplate
3	406-03-071-0001	Key	78	420-01-005-0002	Base
5	920-04-010-7273	Bearing	79	904-02-020-1704	3/8" Lockwasher
6	406-03-104-0002	Spacer	80	901-01-060-0642	3/8-16 X 1" Hex Hd. Cap Screw
7	406-03-362-0003	Idler Drum (Pair)	81	901-03-011-9984	3/8-24 X 1-1/2" Soc. Hd. Cap Screw
8	406-03-108-0001	Idler Drum Shaft, Incl:	82	904-01-010-1606	3/8" Washer
8A	902-01-281-7295	Lock Nut	83	901-01-060-0688	3/8-24 X 3/4" Hex Hd. Cap Screw
8B	902-01-020-1227	1/2-20 Hex Jam Nut	84	901-04-020-8670	7/16-14 X 3" Sq. Hd. Set Screw
9	406-03-104-0002	Spacer	85	902-01-201-2579	7/16-14 Hex Nut
15	406-03-067-0001	Belt Tension Lever	90	416-02-054-0003	Guard
16	406-03-071-0002	Belt Tension Lever Pin	91	961-01-010-7499	Hole Plug
17	904-07-010-5567	1/2" Fiber Washer	94	420-01-111-0003	Stud
18	406-03-138-0003	Knob	100	416-02-327-0002	Clamp w/Pins
19	406-03-412-0007	Belt Adj. Screw Ass'y.	101	420-01-075-0001	Pointer
20	406-03-049-0002	Frame	102	901-02-010-0502	1/4-20 X 1/4" Rd. Hd. Screw
21	951-02-010-7822	Tilting Scale	103	406-03-138-0004	Knob
22	901-06-450-2250	#4 X 3/16" Drive Screw	104	928-01-021-4125	Coil Spring
23	901-03-010-0229	1/4-20 X 1/2" Soc Hd Cap Screw	105	904-01-031-2925	7/16" Washer
24	905-01-013-1044	7/32 X 1-3/4" Roll Pin	*	416-02-395-0001	Trunnion Ass'y., Const. of:
25	418-03-088-0001	Stop Lock	106	416-02-095-0001	Trunnion
27	31-401	Tilting Table Ass'y., Incl:	107	951-02-010-7820	Tilting Scale
27A	406-03-137-0004	Nameplate	108	901-06-450-2250	#4 X 3/16" Drive Screw
27B	901-06-450-2250	#4 x 3/16" Drive Screw	109	904-01-010-1603	3/16" Washer
28	406-03-395-0001	Trunnion, Incl.:	110	901-01-060-0612	1/4-20 X 5/8" Hex Hd. Cap Screw
29	418-03-055-0001	Guide	111	31-034	Disc Ass'y., Incl.:
30	901-03-010-3318	#10-32 X 3/8" Soc Hd Cap Screw	112	901-03-030-0761	1/4-20 X 1/2" Hex Soc. Flat Hd. Screw
31	904-01-010-1609	3/16" Washer	113	901-04-190-0201	5/16-18 X 5/16" Hex Soc. Set Screw
32	951-01-010-7802	Pointer	114	416-02-091-0001	Table
33	901-04-193-1064	1/4-28 X 1" Hex Soc. Set Screw	117	416-02-095-0001	Trunnion
35	1231522	5/32 X 1/2" Headed Pin	118	904-01-010-1603	3/16" Washer
36	901-01-060-0607	5/16-18 x 3/4" Hex Hd Cap Screw	119	901-01-060-0612	1/4-20 X 5/8" Hex Hd. Cap Screw
36A	904-01-010-1620	5/16" Flat Washer	122	901-01-060-0645	3/8-16 X 3" Hex Hd. Cap Screw
37	406-03-122-0002	Compression Spring	123	904-01-010-1606	3/8" Washer
38	406-03-112-0003	Special Screw	123A	902-01-010-5900	3/8" Hex Nut
39	901-07-261-3207	7/16-14 X 2-13/16" Stud	124	400-06-603-0001	Envelope
40	904-01-010-1606	3/8" Washer	125	400-06-079-0001	Retainer
41	902-04-030-1408	7/16-14 Serrated Nut			
42	406-03-033-0001	Clamp Handle			
*	1086998	Screw Ass'y., Const. of:			
45	902-02-010-1304	7/16-14 Sq. Nut	126	31-427	Garnet Disc. (50 Grit) Pkg. of 6
46	406-03-122-0001	Spring	126	31-428	Alum. Oxide Disc. (60 Grit) Pkg. of 6
47	406-03-031-0001	Cover	127	31-142	Garnet Belt (80 Grit)
48	928-01-021-3381	Spring	127	31-314	Garnet Belt (40 Grit)
49	1086990	Screw Ass'y., Incl.:	127	31-404	Alum. Oxide Belt (100 Grit)
50	904-10-031-3804	Collar	127	31-405	Alum. Oxide Belt (50 Grit)
51	905-01-010-2704	1/8 X 3/4" Roll Pin			
52	904-07-011-5711	7/16" Fiber Washer			
54	406-03-020-0001	Cap			
55	406-03-438-0001	Crank, Incl.:			
56	901-04-190-0225	5/16-18 X 1/4" Hex Soc. Set Screw	140	41-033	2-3/4" Dia. Motor Pulley, 5/8" Bore Incl.:
57	0919783	#10-32 X 7/8" Fil. Hd. Screw	141	901-04-150-0206	5/16-18 X 5/16" Hex Soc. Set Screw
59	406-01-362-0006	Drive Drum (Pair)	*		NOT SHOWN ASSEMBLED
60	406-03-079-0001	Bearing Retainer			
61	406-03-104-0003	Spacer Collar			
62	920-04-020-5360	Bearing			
63	406-03-027-0001	Clamp Ring			
64	406-03-012-0001	Bearing Housing			
65	901-01-060-0639	7/16-14 X 5-1/2" Hex Hd. Cap Screw			
66	420-01-106-0003	Drive Shaft, Incl: (See Service Note A)			
66A	904-15-013-1071	Retaining Ring (Current Models Only, See Service Note A)			
66B	902-01-023-1475	1"-14 Hex Nut (Current Models Only, See service Note A)			
66C	902-01-201-2560	1" - 20 Closure Nut (Early Models Only, See Service Note A)			
67	927-03-010-2656	Key			
68	920-04-020-5348	Bearing			
69	902-07-030-7171	Bearing Nut			
70	420-01-354-0005	Belt Guard			
71	901-03-040-8015	1/4-20 X 1/2" Button Hd. Screw			
71A	904-01-010-1620	5/16" Washer			

### ACCESSORY BELTS AND DISCS

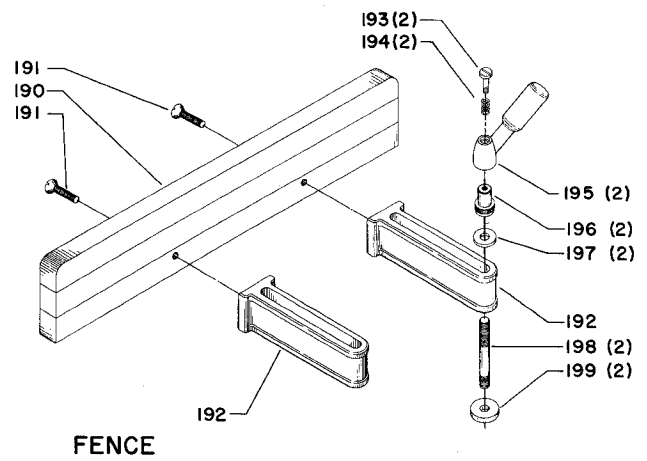
### INCLUDED WITH STAND AND ELECTRICALS

### SERVICE NOTES:

A - Over time, two shaft configurations have been used. One configuration used a retaining ring and 1"-14 closure nut. The other configuration used machined bearing shoulders and 1"-20 closure nut. We supply both shaft configurations as an assembly with appropriate hardware under a single part number. Both shaft configurations are interchangeable when used with the hardware provided.



BACKSTOP



FENCE

### REPLACEMENT PARTS

REF. NO.	PART NO.	DESCRIPTION	REF. NO.	PART NO.	DESCRIPTION
150	901-04-340-7605	Special Thumb Screw	ACCESSORIES - NOT FURNISHED WITH BASIC MACHINE		
151	406-03-054-0015	Side Guard			
152	406-03-091-0001	Platen	*	31-403	Backstop Assembly, Const. of:
153	904-01-010-1605	5/16" Washer	175	406-03-088-0001	Backstop
154	901-01-060-0640	3/8-16 X 3/4" Hex Hd. Cap Screw	176	406-03-014-0004	Link for Backstop
155	406-03-138-0004	Knob	177	904-10-031-2097	Special Washer
156	904-01-031-2925	7/16" Washer	178	901-09-070-6124	Split Clamp Screw
157	420-01-111-0003	Stud	179	420-01-111-0003	Stud
158	406-03-054-0014	Idler Drum Guard	180	904-10-031-2097	Special Washer
162	406-03-054-0013	Drive Drum Guard	181	432-01-027-0004	7/16-14 Serrated Nut
163	904-02-010-1726	#8 Lockwasher	182	406-03-033-0001	Clamp Handle
164	901-03-010-8072	#6-32 X 3/4" Rd. Hd. Screw	183	406-03-122-0002	Compression Spring
165	406-03-036-0002	Dust Deflector	184	406-03-112-0003	Special Screw
166	901-03-010-3318	#10-32 X 3/8" Soc Hd Cap Screw	*	31-014	Fence Ass'y., Const. of:
169	406-03-036-0001	Deflector Plate Guard	190	406-03-043-0001	Fence
171	406-03-054-0004	Bottom Guard	191	901-02-030-0409	5/16-18 X 1-1/4" Flat Hd. Screw
172	406-03-004-0001	Clamp Bar	192	406-03-014-0002	Fence Bracket
173	406-00-752-0001	Warning Decal	193	406-03-112-0003	Special Screw
			194	406-03-122-0002	Compression Spring
			195	406-03-033-0001	Clamp Handle
			196	902-04-030-1408	7/16-14 Serrated Nut
			197	904-10-031-2097	Special Washer
			198	420-01-111-0003	Stud
			199	904-10-031-3803	Special Washer
			**	34-568	Clamp Attach. For Miter Gage
			**	34-895	Miter Gage
			*	NOT SHOWN ASSEMBLED	
			**	NOT SHOWN	

This parts list is provided to aid in obtaining service parts. Operational and maintenance information is contained in a separate owner's manual which is available through your local service outlet.

## REPLACEMENT PARTS

REF. NO.	PART NO.	DESCRIPTION
----------	----------	-------------

ACCESSORIES NOT FURNISHED WITH BASIC MACHINE

*	50-114	Basic Stand, const. of:
227	901-01-060-0645	3/8-16 x 3" Hex Hd Cap Screw
228	904-01-010-1606	3/8" Flat Washer
229	902-01-010-5900	3/8" Hex Nut
230	1087794	Rivet
231	406-03-137-0003	Nameplate
232	436-01-318-0011	Cabinet Assembly
233	901-06-423-1170	#10-32 x 5/8" Rd Hd Self Tap Screw
234	436-01-123-0002	Side Panel
235	901-11-020-0834	5/16-18 x 3/4" Car. Bolt
236	904-01-010-1620	5/16" Flat Washer
237	436-01-004-0006	Motor Bracket
238	904-02-010-1703	5/16" Lockwasher
239	902-01-010-1300	5/16" Hex Nut
240	436-01-011-0020	Insulator
241	901-01-060-0607	5/16-18 x 3/4" Hex Hd Cap Screw
242	904-01-010-1620	5/16" Flat Washer
243	436-01-305-0001	Sub Base
244	904-02-010-1703	5/16" Lockwasher
245	902-01-010-1300	5/16" Hex Nut
246	436-01-074-0002	Hole Plug
247	436-01-011-0065	1 1/2" Hole Plug
**	901-11-020-0834	(4) 5/16-18 x 3/4" Car. Bolt (To Mount Motor to Motor Bracket)
**	902-01-010-1300	(4) 5/16-18 Hex Nut (To Mount Motor to Motor Bracket)
**	904-02-010-1703	(4) 5/16" Lockwasher (To Mount Motor to Motor Bracket)
* NOT SHOWN ASSEMBLED		
** NOT SHOWN		

This parts list is provided to aid in obtaining service parts. Operational and maintenance information is contained in a separate owner's manual which is available through your local service outlet.

Doc. 3379G

