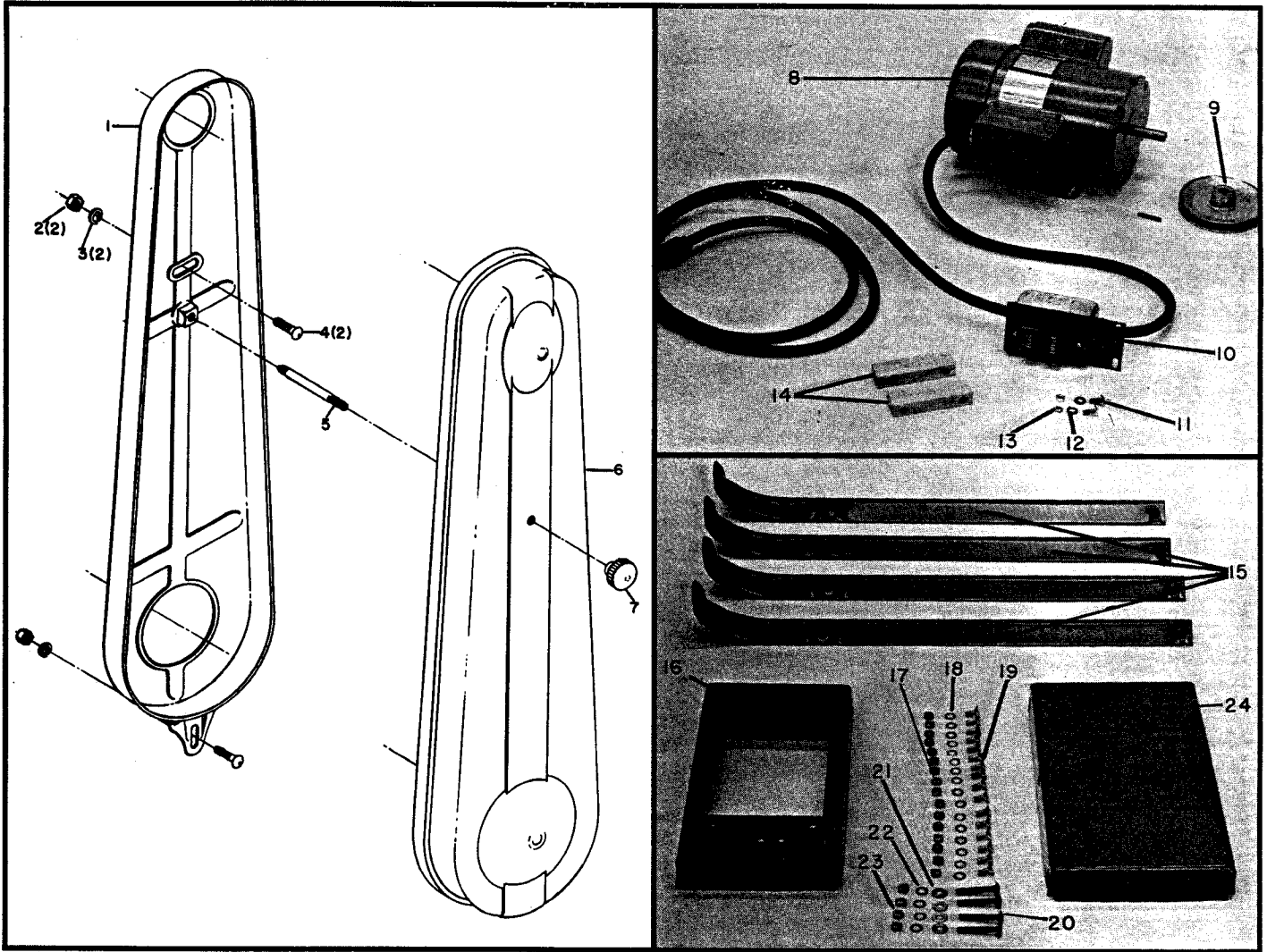


STAND, MOTOR, SWITCH AND BELT AND PULLEY GUARD FOR THE 31-576 6" ABRASIVE BELT FINISHING MACHINE



REPLACEMENT PARTS

Ref. No.	Part Number	Description	Ref. No.	Part Number	Description
1	406-03-354-0003	Guard	14	406-03-010-0001	Riser Block
2	902-01-010-1300	5/16-18 Hex Nut	**	49-172	V-Belt
3	904-02-010-1703	5/16" Lockwasher	15	436-02-066-0019	Leg
4	901-02-010-0508	5/16-18 x 1" Rd. Hd. Screw	16	436-02-115-0095	Top Shelf
5	1087267	Stud	17	902-01-010-1300	5/16-18 Hex Nut
6	406-03-354-0004	Guard Cover	18	904-03-020-1750	5/16" Internal Tooth Lockwasher
7	1087256	Knob	19	901-02-030-0408	5/16-18 x 3/4" F.I. Hd. Screw
8	62-228	Motor	20	901-11-020-0818	5/16-18 x 2" Carriage Bolt (Motor to Stand)
9	41-083	Motor Pulley	21	904-01-010-1604	Flat Washer (Motor to Stand)
10	52-346	Switch Assembly	22	904-03-020-1750	5/16" Internal Tooth Lockwasher (Motor to Stand)
11	901-02-010-0509	1/4-20 x 1/2" Rd. Hd. Screw	23	902-01-010-1300	5/16-18 Hex Nut
12	904-02-020-1702	1/4" Lockwasher	24	436-02-115-0083	Lower Shelf
13	902-01-120-1034	1/4-20 Hex Nut			
			**	NOT SHOWN	

This parts list is provided to aid in obtaining service parts. Operational and maintenance information is contained in a separate owner's manual which is available through your local service outlet.