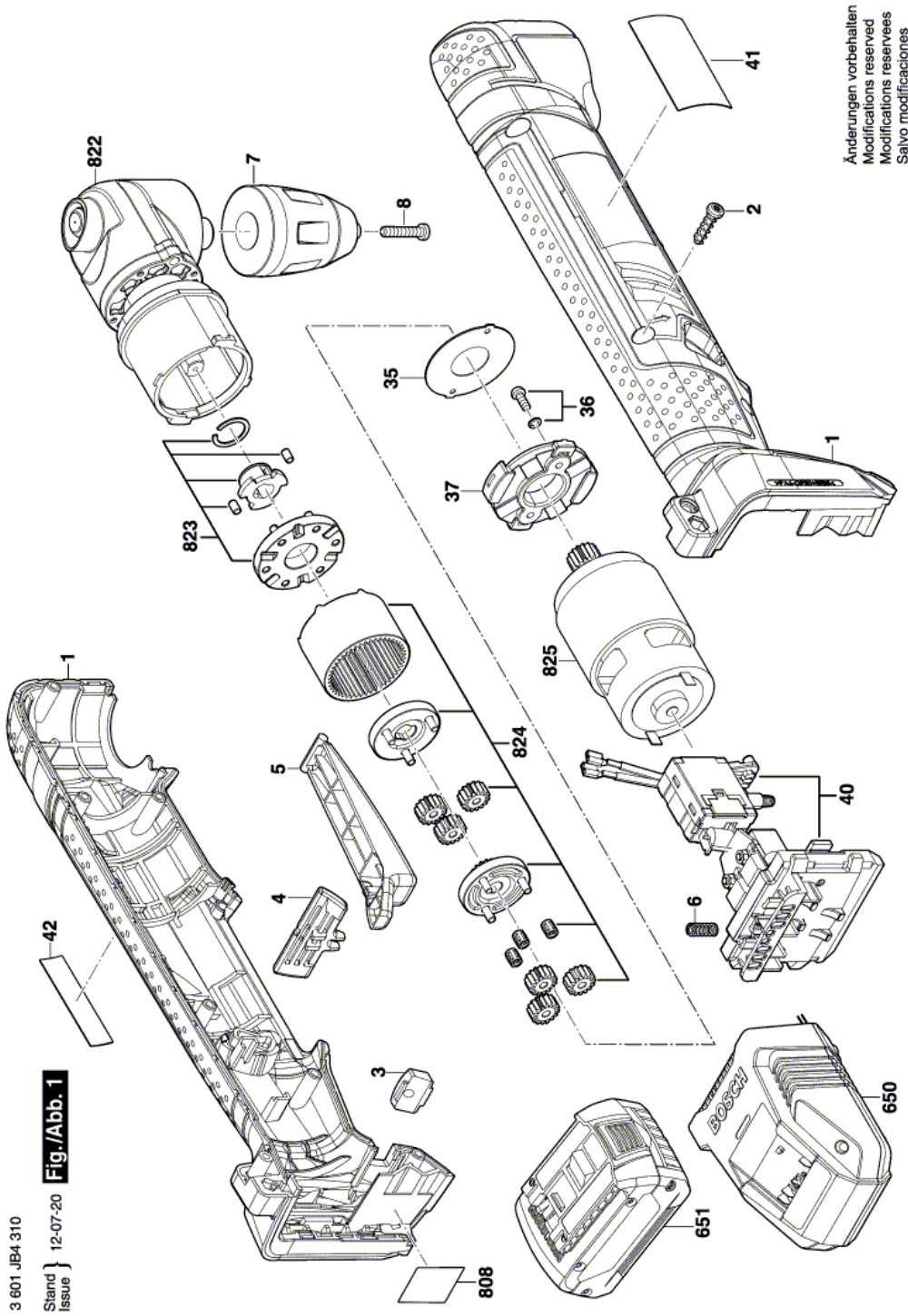


Illustration - Type E



Information subject to change without further notice.

**Drill - 3 601 JB4 310 - ADS181**[www.powertools-aftersaleservice.com](http://www.powertools-aftersaleservice.com)**BOSCH**

Item	Part Number	Description	Illustration	Price	Quantity	Price Group
1	1 619 PA1 784	Housing	1	-,-	1	-
2	1 619 PA1 785	Tapping Screw	1	-,-	7	-
3	1 619 PA1 786	Lens	1	-,-	1	-
4	1 619 PA1 787	Lever	1	-,-	1	-
5	1 619 PA1 788	Trigger	1	-,-	1	-
6	1 619 PA1 789	Compression Spring	1	-,-	1	-
7	2 608 572 251	Keyless Chuck 13 MM	1	-,-	1	40
8	1 619 PA1 790	Lock-Screw	1	-,-	1	-
35	1 619 PA1 817	Baffle Plate	1	-,-	1	-
36	1 619 PA1 818	Lock-Screw	1	-,-	2	-
37	1 619 PA1 819	Protective Guard Ø 115mm	1	-,-	1	-
40	1 607 233 450	Electronics Module	1	-,-	1	-
41	1 619 PA1 827	Warning Label	1	-,-	1	-
42	1 619 PA1 826	Label	1	-,-	1	-
650	2 607 225 429	Fast Charger USA 120/10,8-18V, 1h	1	-,-	1	41
651	2 607 336 561	Slide-In Accu Package 18V, 1,5AH Li BAT610G	1	-,-	1	-
808	1 619 PA1 871	Nameplate	1	-,-	1	-
822	1 619 PA1 821	Drive Assembly	1	-,-	1	-
823	1 619 PA1 822	locking assembly	1	-,-	1	-
824	1 619 PA1 823	Sub-assembly	1	-,-	1	-
825	1 619 PA1 824	Motor assembly	1	-,-	1	-