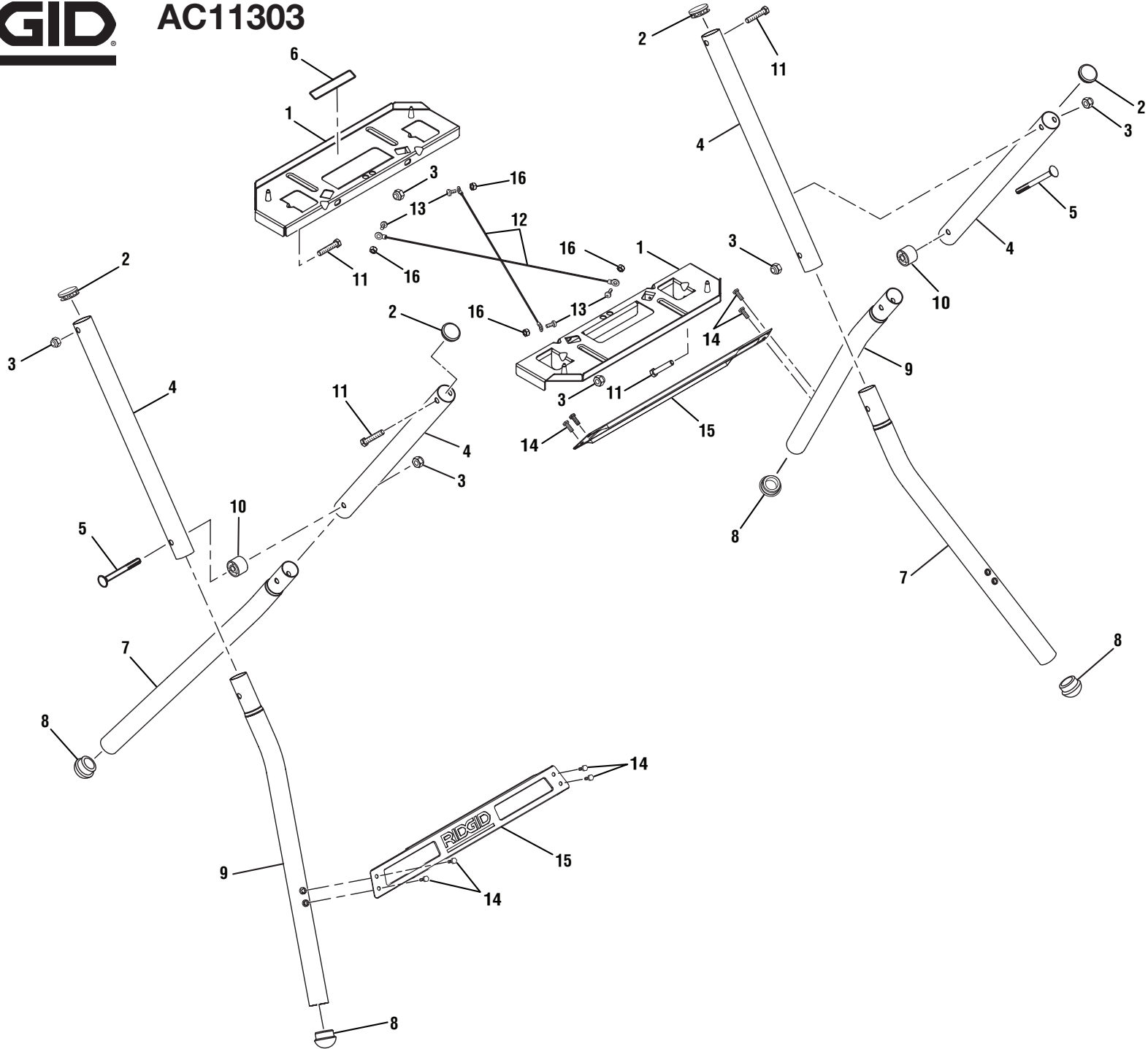


**RIDGID**  
**Tile Saw Stand**  
**Model No. AC11303**  
**Repair Sheet**

**RIDGID**  
**Stand pour scie à carreaux**  
**Numero de modele AC11303**  
**Feuille de reparation**

**RIDGID**  
**pedestal para sierra de losas**  
**Numero de modelo AC11303**  
**Lista de piezas de repuesto**





AC11303

PARTS LIST FOR FIGURE A

| KEY NO. | PART NUMBER       | DESCRIPTION                            | QTY | PIÈCE RÉF. | DESCRIPTION                | QTÉ   | REF. N/P  | DESCRIPCIÓN              | CANT.   |   |
|---------|-------------------|--|-----|------------|----------------------------|---|-----------|--------------------------|---|---|
| 1       | 089260022200      | Mounting Bracket (Inc. Key No. 6)..... | 2   | 1          | 089260022200               | Support de montage (incl. pièce réf. 6).....        | 1         | 089260022200             | Soporte de montaje (incl. pza. núm. ref. 6).....            | 2 |
| 2       | 089260022003      | End Cap .....                          | 4   | 2          | 089260022003               | Capuchon d'extrémité .....                          | 2         | 089260022003             | Tapa extremo .....  | 4 |
| 3       | 089260022004      | Lock Nut (M8).....                     | 6   | 3          | 089260022004               | Écrou de blocage (M8).....                          | 3         | 089260022004             | Contratuercas (M8) .....                                    | 6 |
| 4       | 089260022005      | Stand Tube.....                        | 4   | 4          | 089260022005               | Tube de stand .....                                 | 4         | 089260022005             | Tubo de pedestal .....                                      | 4 |
| 5       | 089260022006      | Carriage Bolt (M8 x 85 mm).....        | 2   | 5          | 089260022006               | Boulon de carrossier (M8 x 85 mm).....              | 5         | 089260022006             | Perno de carruaje (M8 x 85 mm).....                         | 2 |
| 6       | 089260022018      | Warning Label .....                    | 1   | 6          | 089260022018               | Étiquette d'avertissement .....                     | 6         | 089260022018             | Etiqueta de advertencia .....                               | 1 |
| 7       | 089260022300      | Leg Assembly (A) .....                 | 2   | 7          | 089260022300               | Ensemble de pied (A).....                           | 7         | 089260022300             | Conjunto de pata (A) .....                                  | 2 |
| 8       | 089260022009      | Foot Pad (Foot End Cap).....           | 4   | 8          | 089260022009               | Plaque de pied (monture de pied).....               | 8         | 089260022009             | Almohadilla pie (casquillo de extremo de pie).....          | 4 |
| 9       | 089260022400      | Leg Assembly (B) .....                 | 2   | 9          | 089260022400               | Ensemble de pied (B).....                           | 9         | 089260022400             | Conjunto de pata (B).....                                   | 2 |
| 10      | 089260022011      | Spacer.....                            | 2   | 10         | 089260022011               | Entretoise .....                                    | 10        | 089260022011             | Separador .....   | 2 |
| 11      | 089260022012      | Screw (M8 x 40 mm, Hex Hd.).....       | 4   | 11         | 089260022012               | Vis (M8 x 40 mm, à tête hexagonale)....             | 11        | 089260022012             | Tornillo (M8 x 40 mm, de cabeza hexagonal)....              | 4 |
| 12      | 089260022013      | Cable.....                             | 2   | 12         | 089260022013               | Câble.....  | 12        | 089260022013             | Cable.....  | 2 |
| 13      | 089260022014      | Screw (M4 x 12 mm, Round Hd.).....     | 4   | 13         | 089260022014               | Vis (M4 x 12 mm, tête ronde).....                   | 13        | 089260022014             | Tornillo (M6 x 12 mm, ganador de la serie) .....            | 4 |
| 14      | 089260022015      | Lock Screw (M6 x 18 mm, Hex Hd.).....  | 8   | 14         | 089260022015               | Vis de blocage (M6 x 18 mm, à tête hexagonale)..... | 14        | 089260022015             | Tornillo de fijación (M6 x 18 mm, de cabeza hexagonal)..... | 8 |
| 15      | 089260022016      | Brace.....                             | 2   | 15         | 089260022016               | Renfort .....                                       | 15        | 089260022016             | Riostra.....  | 2 |
| 16      | 089260022017      | Lock Nut (M4).....                     | 4   | 16         | 089260022017               | Écrou de blocage (M4).....                          | 16        | 089260022017             | Contratuercas (M4) .....                                    | 4 |
|         | <b>Not Shown:</b> |  |     |            | <b>Non illustré:</b>       |   |           | <b>No se muestra:</b>    |   |   |
|         | 988000684         | Operator's Manual .....                | 1   | 988000684  | Manuel d'utilisation ..... | 1   | 988000684 | Manual del operador..... | 1   |   |
|         | 10-18-11 (Rev:01) |  |     |            |                            |   |           |                          |   |   |