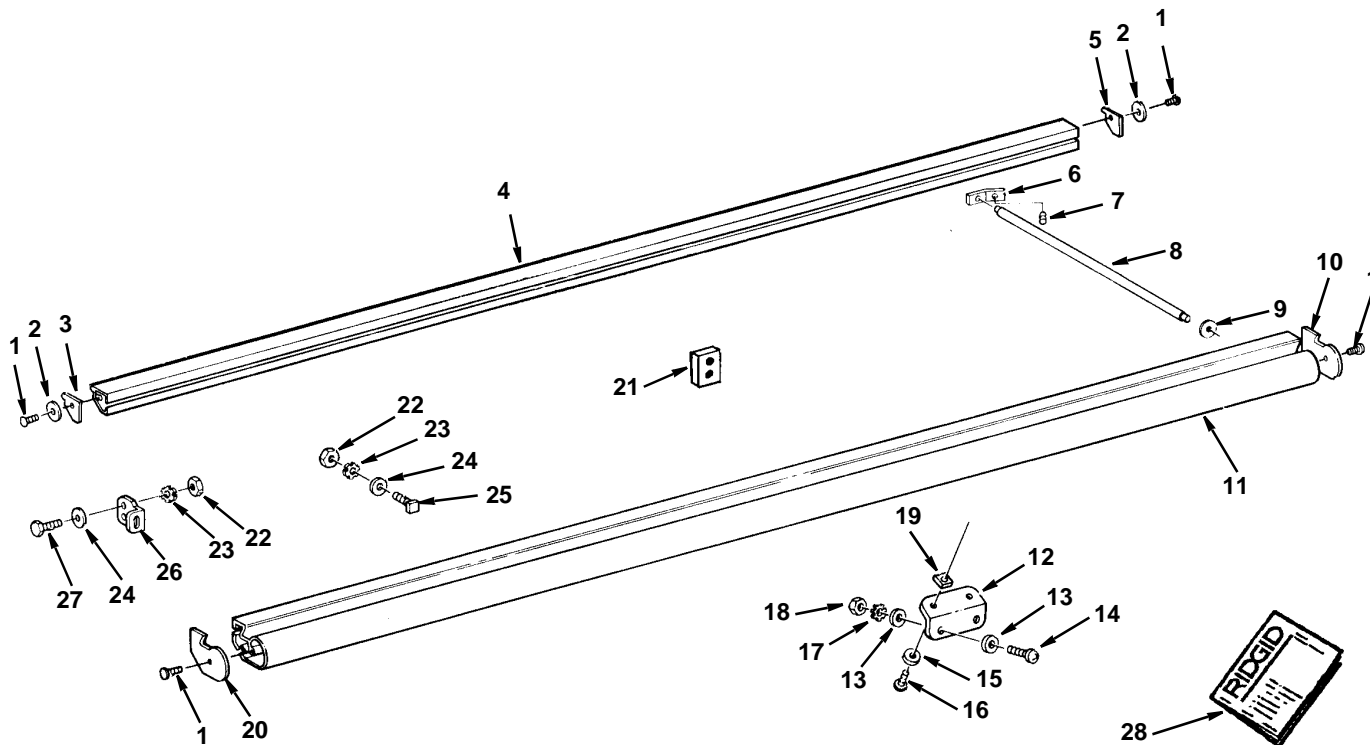


# Repair Parts

## Parts List for RIDGID AC10360 Rip Fence System

RIDGID parts are available on-line at [www.ridgidparts.com](http://www.ridgidparts.com)

Figure 1



Always order by part number - Not by key number

| Key No. | Part No.  | Description                    |
|---------|-----------|--------------------------------|
| 1       | 448013    | * Screw Pan Hd Ty "AB" 8 x 1/2 |
| 2       | 805548-11 | Washer 3/16 x 1 x 1/16         |
| 3       | 824373-1  | Cap Rear Rail Left             |
| 4       | 827861    | Rail Rear                      |
| 5       | 824372-1  | Cap Rear Rail Right            |
| 6       | 827585    | * Plate Support Rod            |
| 7       | 141669-35 | Screw Soc Set 10-32 x 7/16     |
| 8       | 827583    | Rod Support                    |
| 9       | 818309    | Washer Shim                    |
| 10      | 824339-1  | Cap Front Rail Right           |
| 11      | 827860    | Rail Front w/Scales            |
| 12      | 827582    | Plate, Switch                  |
| 13      | 274865    | * Washer 21/64 x 5/8 x 1/16    |
| 14      | 809491-5  | * Screw Pan Hd 1/4-20 x 1/2    |

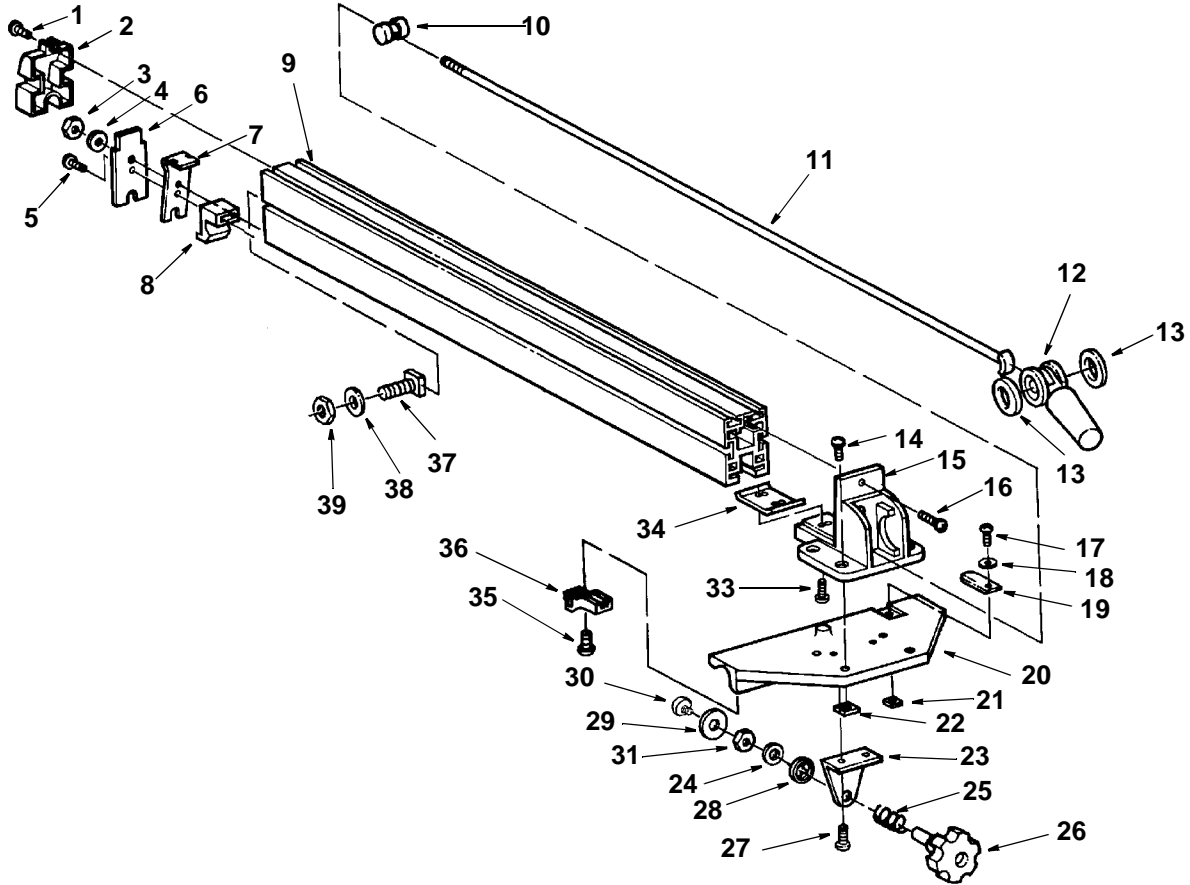
| Key No. | Part No.  | Description                  |
|---------|-----------|------------------------------|
| 15      | 114603    | * Lockwasher #10             |
| 16      | 808277-7  | * Screw Pan Hd 10-32 x 3/8   |
| 17      | 140755-5  | * Lockwasher 1/4             |
| 18      | 805478-1  | * Nut Hex 1/4                |
| 19      | 822138-1  | Nut Sq 10-32                 |
| 20      | 824341-1  | Cap Front Rail Left          |
| 21      | 827581    | Spacer, Blade Guard          |
| 22      | 805482    | * Nut Hex 5/16-18            |
| 23      | 131201    | * Lockwasher 5/16            |
| 24      | 274865    | * Washer 21/64 x 5/8 x 1/16  |
| 25      | 159653-38 | Bolt Sq, Hd. 5/16-18 x 1     |
| 26      | 827584    | Bracket                      |
| 27      | 805467-6  | * Screw Hex Hd 5/16 x 18 x 1 |
| 28      | SP6234    | Owners Manual                |

\* Standard hardware item - May be purchased locally

# Repair Parts

## Parts List for RIDGID AC10360 Rip Fence System RIDGID parts are available on-line at [www.ridgidparts.com](http://www.ridgidparts.com)

Figure 2



Always order by part number - Not by key number

| Key No. | Part No. | Description                      |
|---------|----------|----------------------------------|
| 1       | 809492-7 | Screw Pan Hd. Ty "T" 8-32 x 1    |
| 2       | 824350-1 | Cap Channel Rear                 |
| 3       | 820129   | * Nut Lock 5/16-18               |
| 4       | 274865   | * Washer 21/64 x 5/8 x 1/16      |
| 5       | 9416390  | Screw Pan Hd. Ty "T" 10-32 x 5/8 |
| 6       | 824328-1 | Plate Lock                       |
| 7       | 824332   | Spring Lock                      |
| 8       | 824349-1 | Slide Rear Fence                 |
| 9       | 824346   | Channel Fence                    |
| 10      | 824329   | Pin Cam                          |
| 11      | 824342   | Rod Fence Lock                   |
| 12      | 824353-2 | Handle Cam                       |
| 13      | 824326   | Bearing Ball Angular Contact     |
| 14      | 824347-2 | Scr Hex Soc Butt Hd 1/4-20 x 3/4 |
| 15      | 824279-1 | Housing Rip Fence                |
| 16      | 809492-5 | * Screw Pan Hd Ty "T" 8-32 x 1   |
| 17      | 809372-3 | * Screw Pan Hd 10-32 x 1/2       |
| 18      | 60136    | * Washer 13/64 x 5/8 x 1/32      |
| 19      | 824334-1 | Indicator                        |
| 20      | 826032   | Head                             |

| Key No.                                   | Part No.  | Description                           |
|---|-----------|---------------------------------------|
| 21  | 822138-1  | Nut Sq 10-32                          |
| 22  | 62636     | Nut Sq 1/4-20                         |
| 23  | 824325-1  | Bracket Micro Adjust                  |
| 24  | 824282    | Bushing                               |
| 25  | 824356    | Spring Compression                    |
| 26  | 824355-1  | Knob Micro Adjust                     |
| 27  | 806752-13 | * Screw Pan Hd. Ty "T" 10-32 x 1/2    |
| 28  | 802612-13 | Nut Push 7/16                         |
| 29  | 805548-10 | * Washer 13/64 x 3/8 x 1/32           |
| 30  | 826196    | Bumper Rubber                         |
| 31  | 120614    | * Nut Hex 10-32                       |
| 32  |           |                                       |
| 33  | 9422329   | Screw Hex Wash Hd Ty "T" 1/4-20 x 3/4 |
| 34  | 824330-1  | Plate Fence Channel                   |
| 35  | 809169-3  | * Screw Pan Hd. Ty "T" 8-32 x 3/8     |
| 36  | 825823    | Slide Fence Head                      |
| <b>Hardware For Attaching Wood Facing</b> |           |                                       |
| 37  | 159653-3  | Bolt Sq. Hd. 1/4-20 x 3/4             |
| 38  | 805552-4  | * Washer 17/64 x 9/16 x 3/64          |
| 39  | 62636     | * Nut Hex 1/4-20                      |

\* Standard hardware item - May be purchased locally