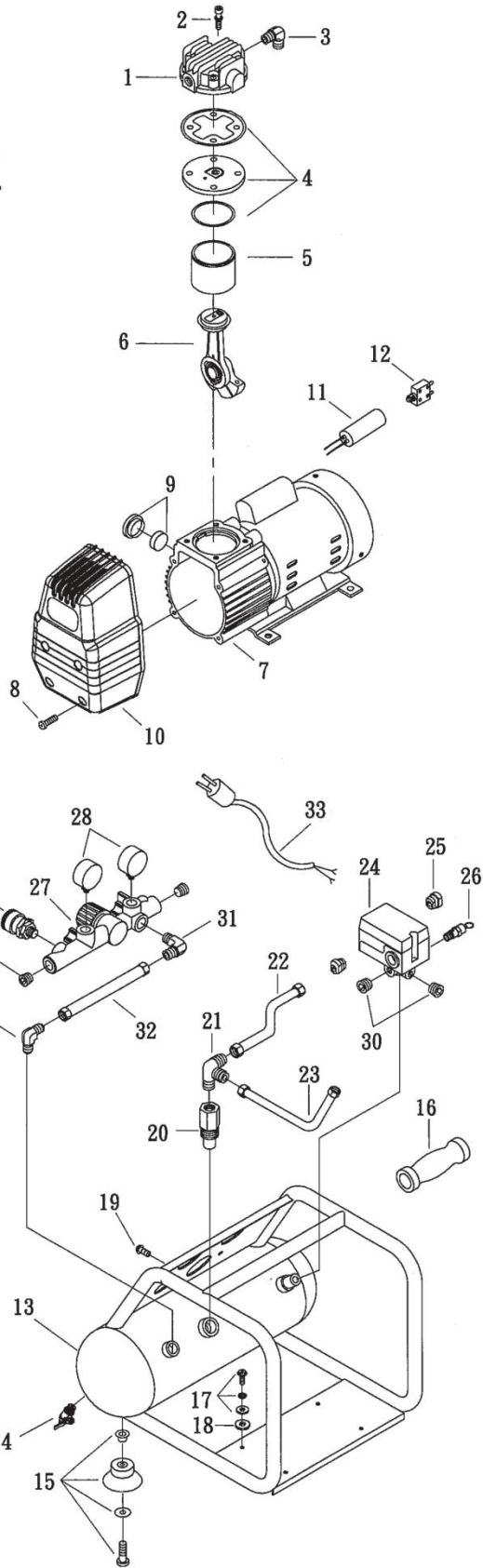
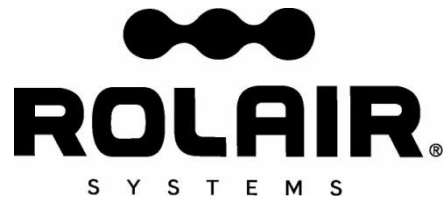


ROLAIR
SCHEMATIC FOR MODEL
AB5





PARTS LIST FOR MODEL AB5

Schematic #	Description	Part #	Qty.
1	Cylinder Head	AB500-1	1
2	Allen Bolt	AB500-2	4
3	Elbow	AB500-3	1
4	Valve Plate Assembly	AB500-4	1
5	Cylinder	AB500-5	1
6	Piston/Connecting Rod Assembly	AB500-6	1
7	Motor Assembly	AB500-7	1
8	Bolt	AB500-8	4
9	Intake Filter	AB500-9	1
10	Shroud	AB500-10	1
11	Capacitor	AB500-11	1
12	Manual Reset	AB500-12	1
13	Tank Assembly	AB500-13	1
14	Drain Valve	AB500-14	1
15	Rubber Pad Assembly	AB500-15	4
16	Handle Grip	AB500-16	1
17	Mounting Bolt Assembly	AB500-17	4
18	Spacer	AB500-18	4
19	Bolt – Manifold	AB500-19	2
20	Check Valve	AB500-20	1
21	Brass Tee	AB500-21	1
22	Unloading Tube Assembly	AB500-22	1
23	Discharge Tube Assembly	AB500-23	1
24	Pressure Switch	AB500-24	1
25	Box Connector	AB500-25	2
26	Safety Relief Valve	U6004	1
27	Manifold	AB500-27	1
28	Pressure Gauge	U3004	2
29	Quick Disconnect	AB500-29	1
30	Plug	AB500-30	4
31	Elbow	AB500-31	2
32	Unloader Line	AB500-32	1
33	Cord with Plug	AB500-33	1