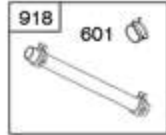
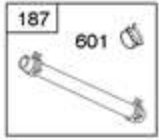
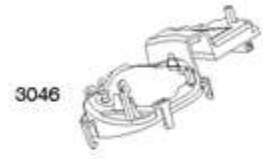
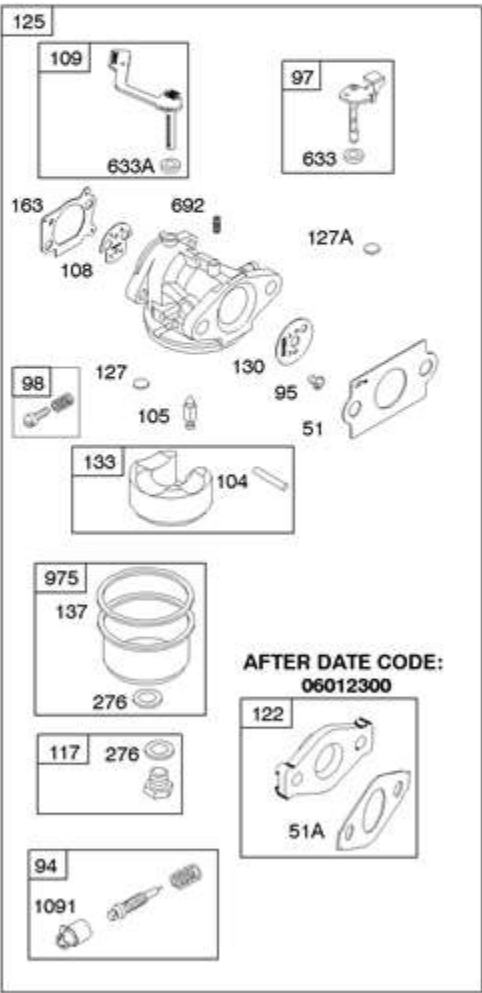
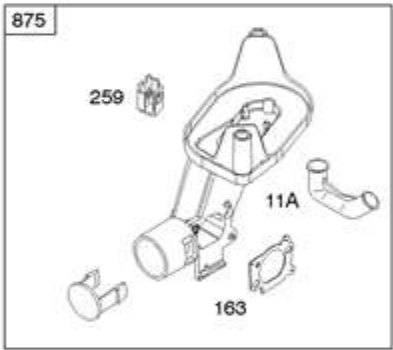
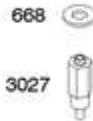


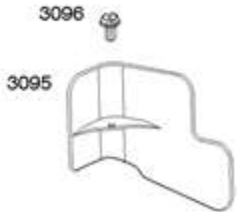
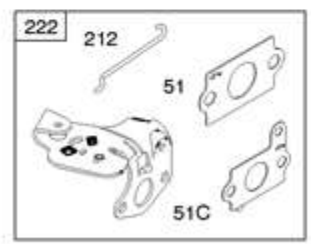
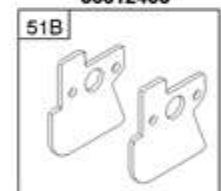
WITHOUT REV LIMITER



WITH REV LIMITER



**BEFORE DATE CODE:
06012400**

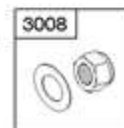
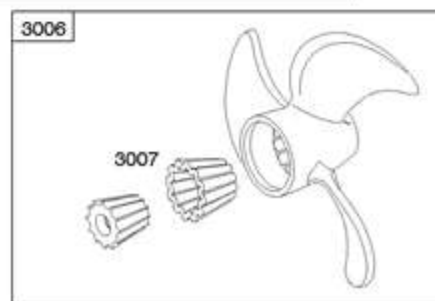
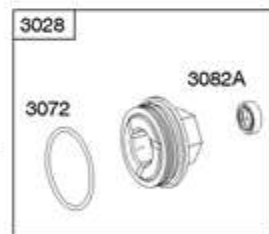
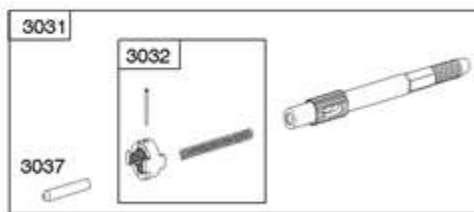
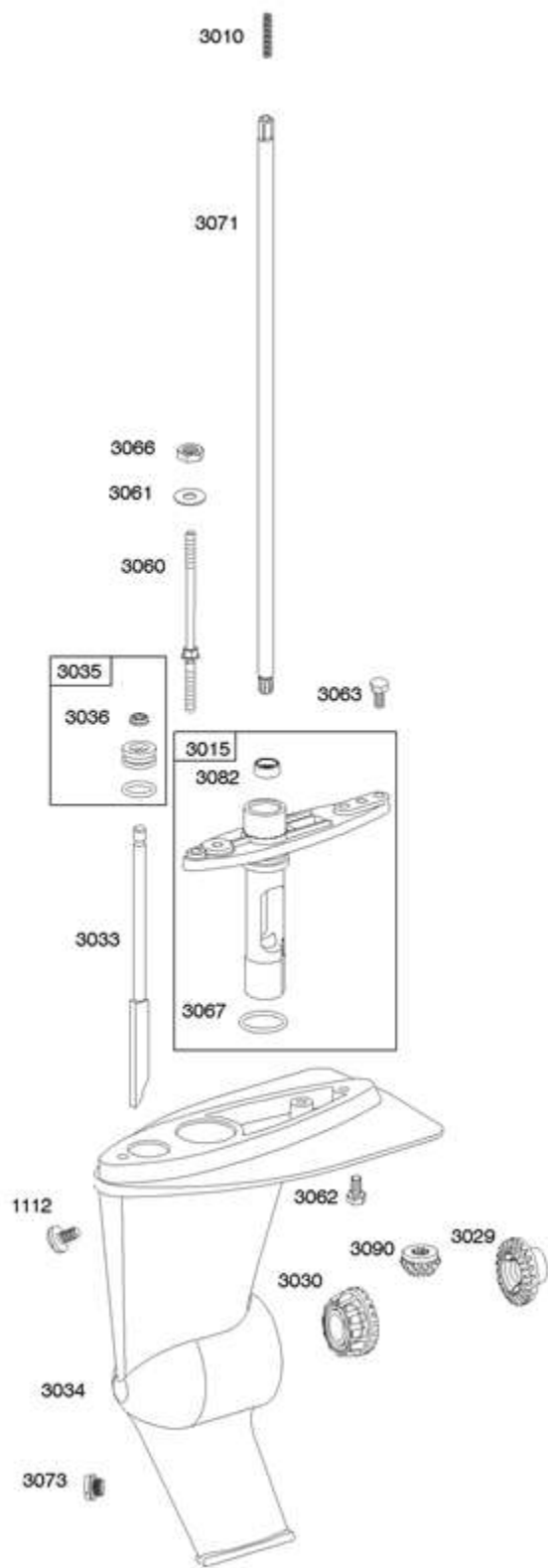


**AFTER DATE CODE:
06012300**

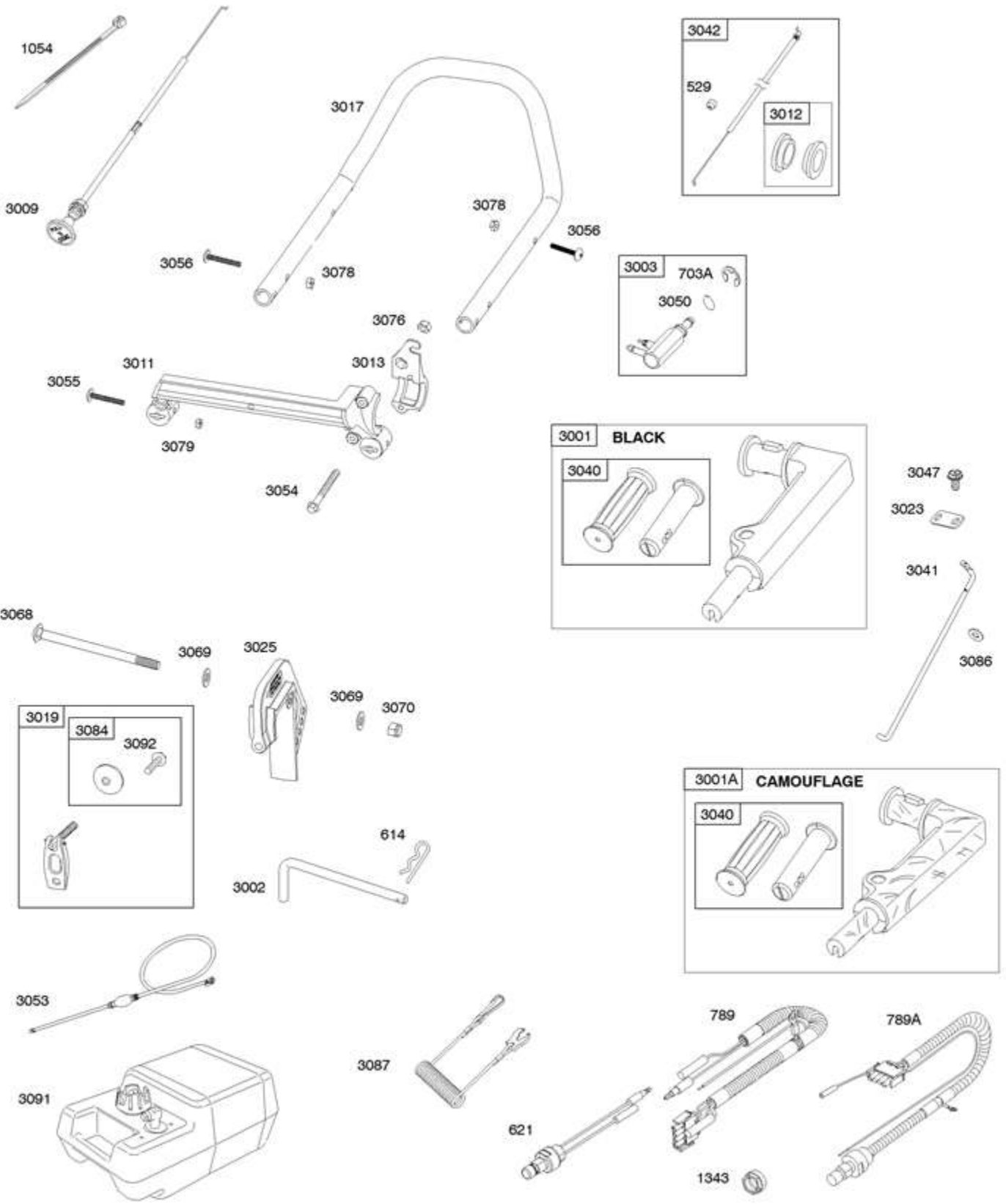


Ref #	Part #	Description	Context Note	Foot Note
11A	692937	Tube-Breather		
51	697735	Gasket-Intake		
51A	692555	Gasket-Intake	Used After Code Date 06012300	
51C	692668	Gasket-Intake		
51B	699144	Gasket-Intake	(Contains 2) Used Before Code Date 06012400	
94	697916	Kit-Idle Mixture		
95	691636	Screw	(Throttle Valve)	
97	499682	Shaft-Throttle		
98	398185	Kit-Idle Speed		
104	691242	Pin-Float Hinge		
105	691782	Valve-Float Needle		
108	691182	Valve-Choke		
109	499681	Shaft-Choke		
117	697355	Jet-Main	(Standard)	
118	694250	Jet-Main	(High Altitude)	
122	792382	Spacer-Carburetor	Used After Code Date 06012300	
125	697736	Carburetor	Used Before Code Date 06012400	
125	792997	Carburetor	Used After Code Date 06012300	
127	691739	Plug-Welch		
127A	694468	Plug-Welch	Used Before Code Date 02082600	
130	691181	Valve-Throttle		
133	398187	Float-Carburetor		
137	693981	Gasket-Float Bowl		
163	691894	Gasket-Air Cleaner		
187	791766	Line-Fuel	(Cut To Required Length)	
187A	697895	Line-Fuel	(Molded)	
188	691147	Screw	(Control Bracket)	
212	861184	Link-Throttle		
222	792406	Bracket-Control	Used After Code Date 06012300	
222	861183	Bracket-Control	Used Before Code Date 06012400	
240	394358S	Filter-Fuel		
259	691189	Bracket-Casing Clamp		
265	691024	Clamp-Casing	(Throttle Cable)	
267	691044	Screw	(Casing Clamp)	
276	271716	Washer-Sealing		
365	699143	Screw	(Carburetor)	
387	808656	Pump-Fuel		
601	791850	Clamp-Hose		

Ref #	Part #	Description	Context Note	Foot Note
633	691321	Seal-Choke/Throttle Shaft	(Throttle Shaft)	
633A	693867	Seal-Choke/Throttle Shaft	(Choke Shaft)	
668	861231	Spacer	(Standoff) Used Before Code Date 03061600	
692	690572	Spring-Detent		
703	861202	Clip	(Fuel Pump) Used Before Code Date 03052300	
788	861526	Bracket-Fuel Pump	(Without Limiter)	
875	698003	Base-Air Cleaner	(Plastic)	
918	791766	Hose-Vacuum	(Cylinder To Impulse Pump)(Cut to Required Length)	
953	861312	Screen-Air Cleaner		
958	698180	Valve-Fuel Shut Off	(Plastic)	
971	690255	Screw	(Air Cleaner Base) (Remote Choke)	
975	493640	Bowl-Float		
1011	698094	Tube-Vent	(Carburetor)	
1054	861206	Tie-Cable	(Black)	
1054	280275	Tie-Cable	(White)	
1091	281425	Cap-Limiter		
3027	861227	Standoff	(Air Cleaner Base) Used Before Code Date 03061600	
3046	861530	Limiter-Rev		
3095	861644	Shield-Intake		
3096	861253	Screw	(Intake Shield)	

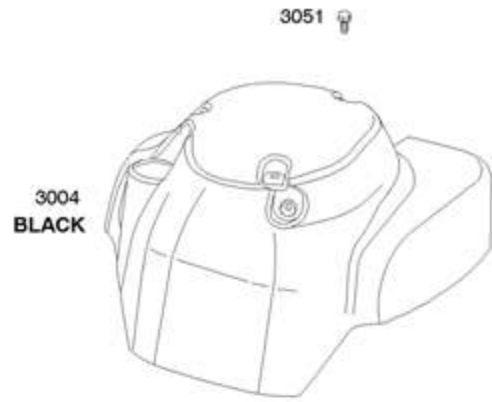
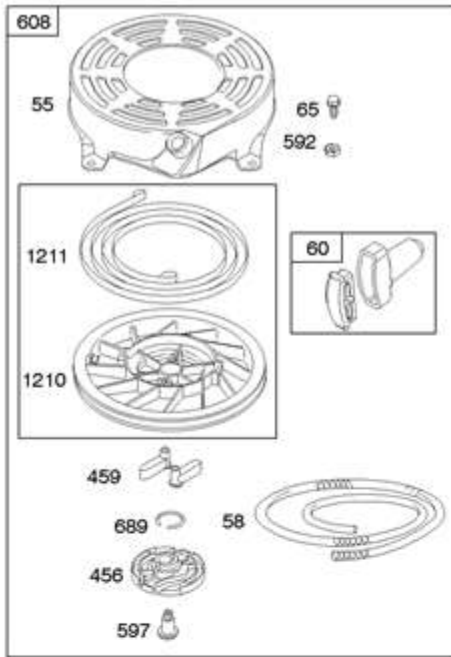


Ref #	Part #	Description	Context Note	Foot Note
1112	861281	Plug-Vent		
3006	861576	Propeller	(Marine Green)	
3006	861673	Propeller	(Black)	
3007	861674	Coupling-Propeller		
3008	861225	Washer/Nut Set	(Propeller)	
3010	861220	Spring-Drive Shaft		
3015	861242	Carrier-Input Shaft		
3028	861274	Carrier-Output Shaft		
3029	861278	Gear-Reverse		
3030	861277	Gear-Forward		
3031	861288	Shaft-Output		
3032	861285	Clutch/Pin Kit		
3033	861284	Rod-Cam		
3034	861272	Case-Gear	(Black)	
3034	861573	Case-Gear	(Marine Green)	
3035	861290	Seal-Cam Rod		
3036	861291	Seal-Quad Ring		
3037	861286	Follower-Cam Shift		
3060	861282	Stud	(Gear Case)	
3061	861240	Washer	(Gear Case)	
3062	861241	Screw	(Gear Case)	
3063	861241	Screw	(Input Shaft Carrier)	
3066	861239	Nut	(Gear Case)	
3067	861267	Seal-O Ring	(Input Shaft Carrier)	
3071	861309	Shaft-Drive		
3072	861275	Seal-O Ring	(Output Shaft Carrier)	
3073	861280	Plug-Oil Drain/Fill		
3082	861266	Seal-Shaft	(Input Shaft Carrier)	
3082A	861266X	Seal-Shaft	(Output Shaft Carrier)	
3090	861320	Gear-Pinion Drive		



Ref #	Part #	Description	Context Note	Foot Note
529	861559	Grommet	(Throttle Cable)	
614	861215	Pin-Cotter	(Tilt Rod)	
621	861552	Switch-Stop	Used After Code Date 03061500	
703A	861229	Clip	(Fuel Fitting)	
789	861553	Harness-Wiring	Used After Code Date 03061500	
789A	861293	Harness-Wiring	Used Before Code Date 03061600	
1054	280275	Tie-Cable	(White)	
1054	861206	Tie-Cable	(Black)	
1343	861531	Nut	(Stop Switch)	
3001	861528	Tiller	(Black)	
3001A	861529	Tiller	(Camouflage)	
3002	861216	Rod-Tilt		
3003	861230	Fitting-Fuel		
3009	861226	Cable-Choke		
3011	861219	Handle-Front	(Black)	
3011	861562	Handle-Front	(Camouflage)	
3012	861265	Isolator		
3013	861222	Pivot-Housing	(Black)	
3013	861563	Pivot-Housing	(Camouflage)	
3017	861262	Handle-Rear	(Black)	
3017	861561	Handle-Rear	(Camouflage)	
3019	861244	Clamp/Handle		
3023	861252	Plate-Retainer	(Transmission Shift Lever)	
3025	861582	Bracket-Transom	(Port Or Starboard)(Marine Green)	
3025	861246	Bracket-Transom	(Port or Starboard)(Black)	
3040	861301	Handle-Throttle		
3041	861299	Rod-Throttle		
3042	861560	Cable-Throttle		
3047	861253	Screw	(Retainer Plate) (Throttle Rod)	
3050	861297	Seal-O Ring	(Fuel Fitting)	
3053	861295	Fuel Line/Primer Assembly		
3054	861214	Screw	(Housing Pivot)	
3055	861260	Screw	(Front Handle)	
3056	861260	Screw	(Rear Handle)	
3068	861248	Bolt	(Transom Bracket)	
3069	861247	Washer	(Transom Bracket)	
3070	861255	Nut	(Transom Bracket)	
3076	861239	Nut	(Housing Pivot)	

Ref #	Part #	Description	Context Note	Foot Note
3078	861239	Nut	(Rear Handle)	
3079	861239	Nut	(Front Handle)	
3084	861310	Clamp Washer/Screw Set		
3086	861240	Washer	(Throttle Rod)	
3087	861209	Lanyard		
3091	861449	Tank-Fuel	(Plastic)	
3092	861253	Screw	(Clamp Washer/Screw Set) (Clamp Washer/Screw Set)	



- 3051A
- 3077
- 703B



3052

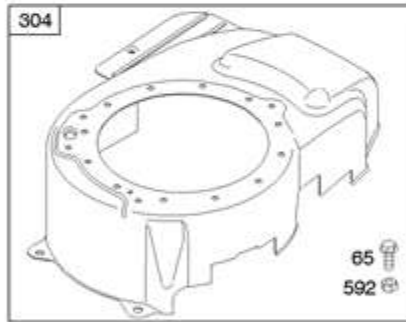
1019 LABEL KIT

1036 Emissions Label
EPA

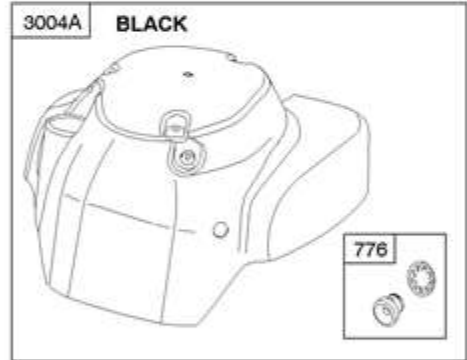
305

1036A Emissions Label
California Two Star

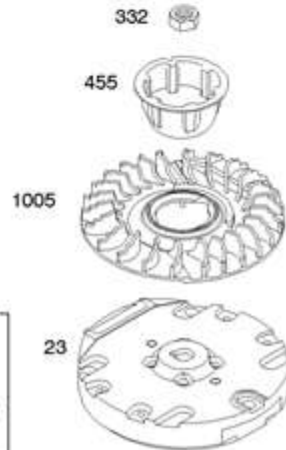
1036B Emissions Label
California One Star



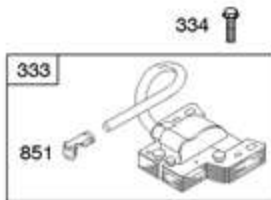
3004A
BLACK



3051



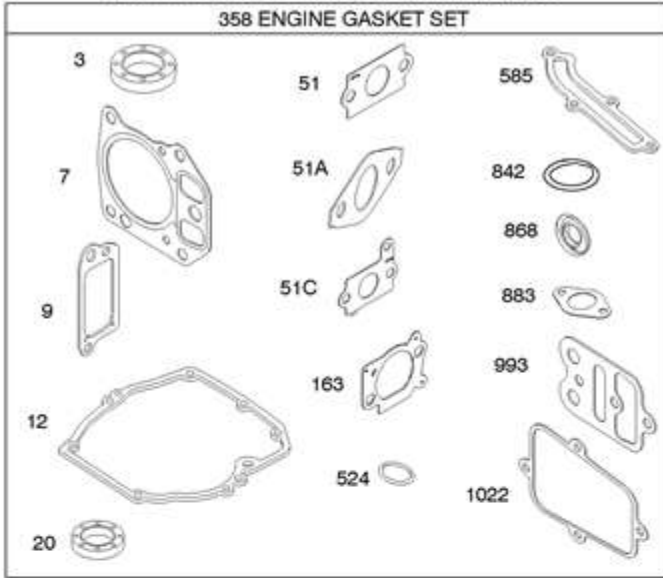
3004B
CAMOUFLAGE



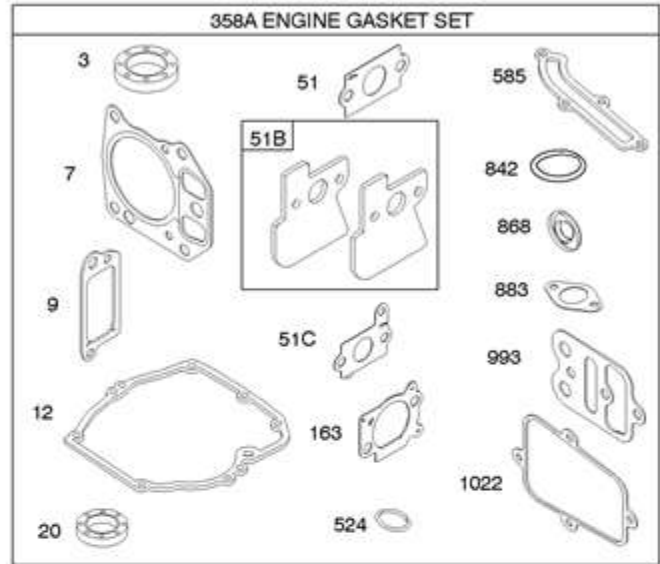
Ref #	Part #	Description	Context Note	Foot Note
23	699488	Flywheel		
37	694086	Guard-Flywheel		
55	691421	Housing-Rewind Starter		
58	693389	Rope-Starter	(70" Long)	
60	697742	Grip-Starter Rope		
65	690837	Screw	(Rewind Starter)	
78	691108	Screw	(Flywheel Guard)	
304	861188	Housing-Blower		
305	691108	Screw	(Blower Housing)	
332	690662	Nut	(Flywheel)	
333	802574	Armature-Magneto		
334	691061	Screw	(Magneto Armature)	
363	19069	Puller-Flywheel		
455	791960	Cup-Flywheel		
456	692299	Plate-Pawl Friction		
459	281505S	Pawl-Ratchet		
592	690800	Nut	(Rewind Starter)	
597	691696	Screw	(Pawl Friction Plate)	
608	697743	Starter-Rewind		
668	861231	Spacer	(Standoff) Used Before Code Date 03061600	
689	691855	Spring-Friction	(Rewind Starter)	
703B	861234	Clip	(Cowl) Used Before Code Date 03061600	
776	861324	Guide-Rope		
851	493880S	Terminal-Spark Plug		
1005	691346	Fan-Flywheel		
1019	861336	Kit-Label		
1036	EPA	Label-Emissions	(Available from an Authorized Briggs & Stratton Service Dealer)	
1036A	CALIF. 2 STAR	Label-Emissions	(California Two Star)(Available from Authorized Briggs and StrattonService Dealer)	
1036B	CALIF. 1 STAR	Label-Emissions	(California One Star)(Available from Authorized Briggs and StrattonService Dealer)	
1210	498144	Pulley/Spring Assembly	(Pulley) (Pulley)	

Ref #	Part #	Description	Context Note	Foot Note
1211	498144	Pulley/Spring Assembly	(Spring) (Spring)	
3004	861535	Cowl	(Black) Used After Code Date 03061500	
3004A	861527	Cowl	(Black) Used Before Code Date 03061600	
3004B	861536	Cowl	(Camouflage)	
3027A	861228	Standoff	(Blower Housing)	
3051	690940	Screw	(Cowl) Used After Code Date 03061500	
3051A	861233	Screw	(Cowl) Used Before Code Date 03061600	
3052	861232	Screw	(Cowl Cover) Used Before Code Date 03061600	
3077	861316	Washer	(Cowl) Used Before Code Date 03061600	

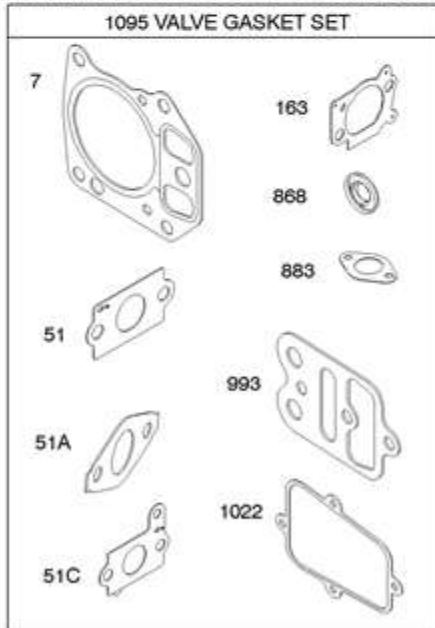
AFTER DATE CODE: 06012300



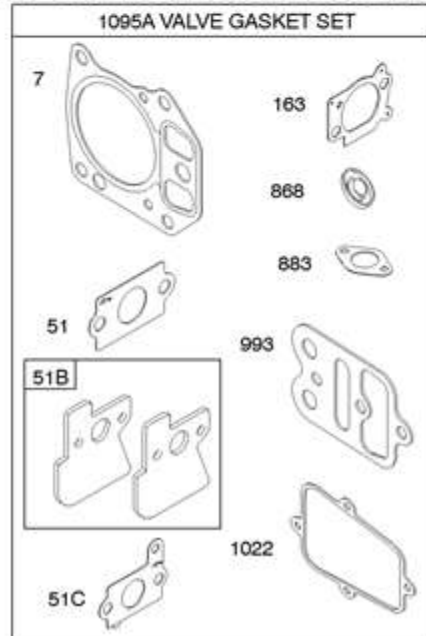
BEFORE DATE CODE: 06012400



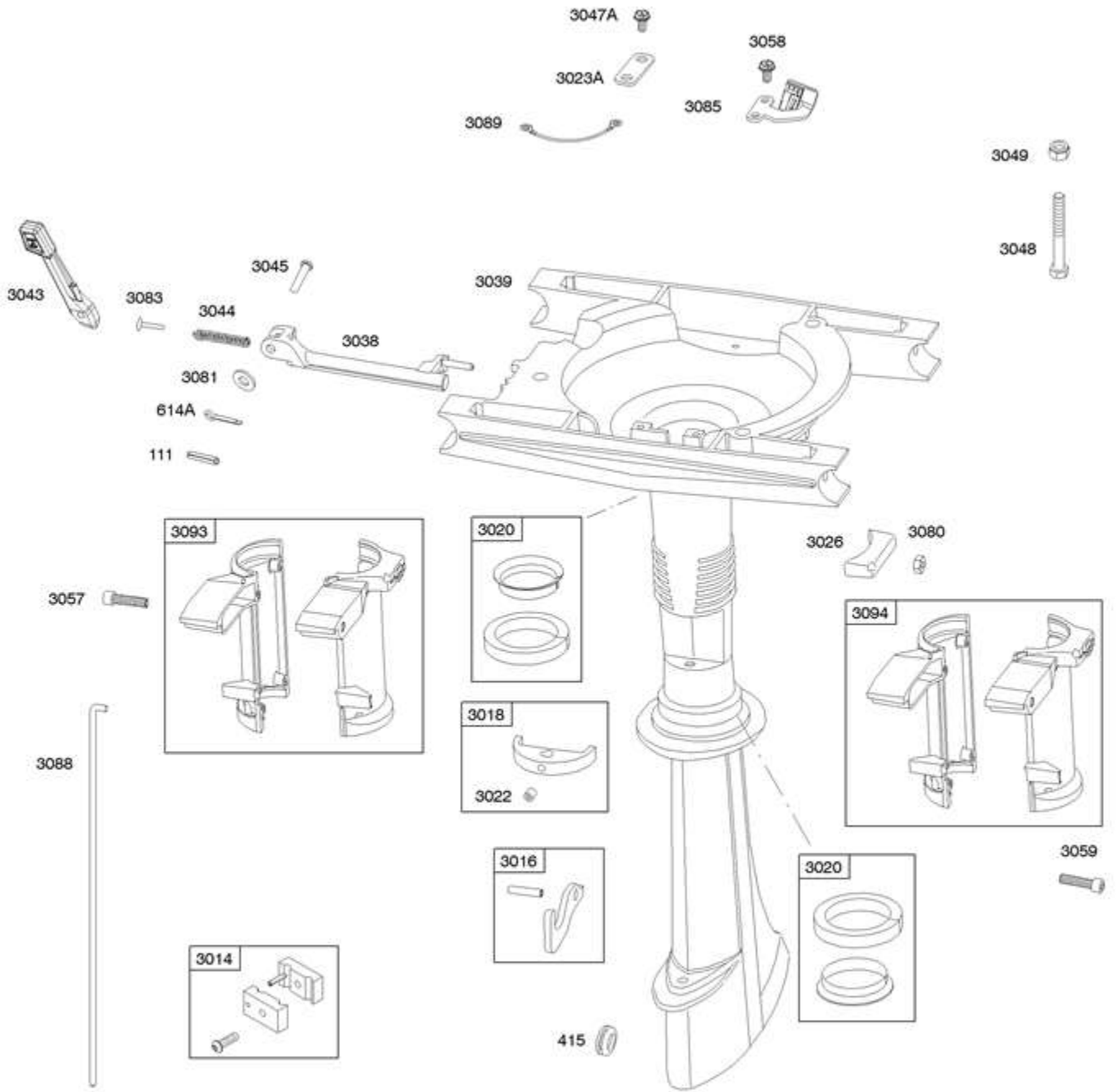
AFTER DATE CODE: 06012300



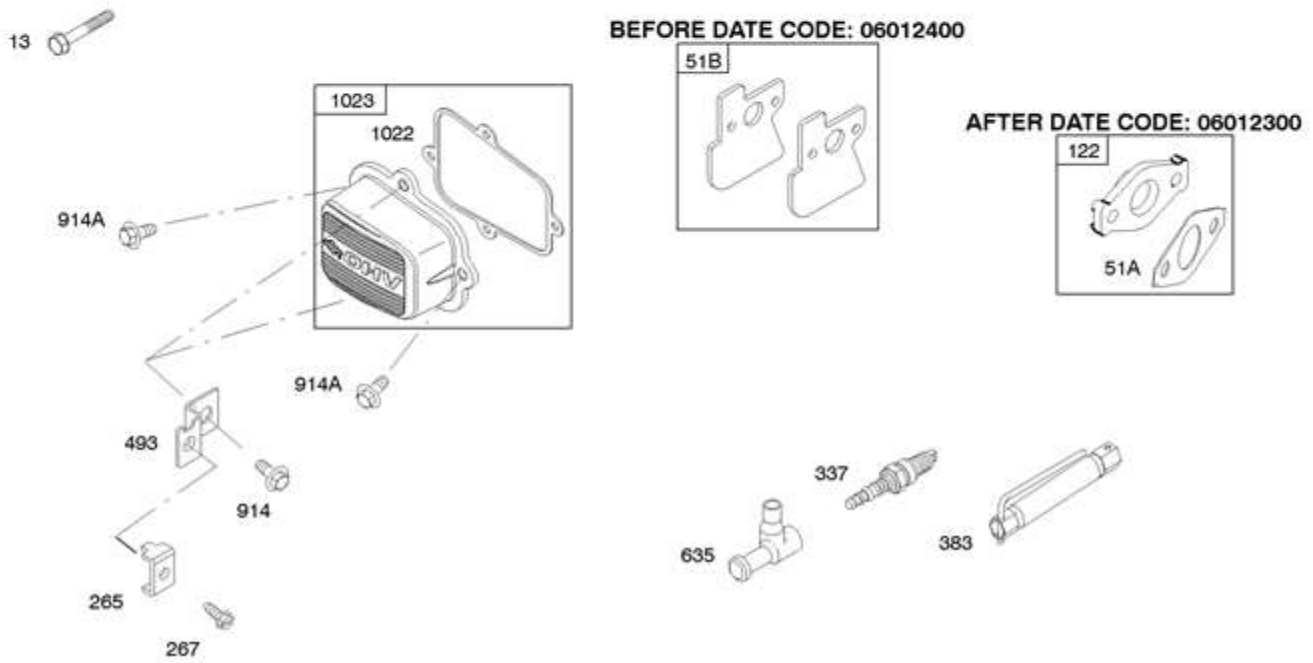
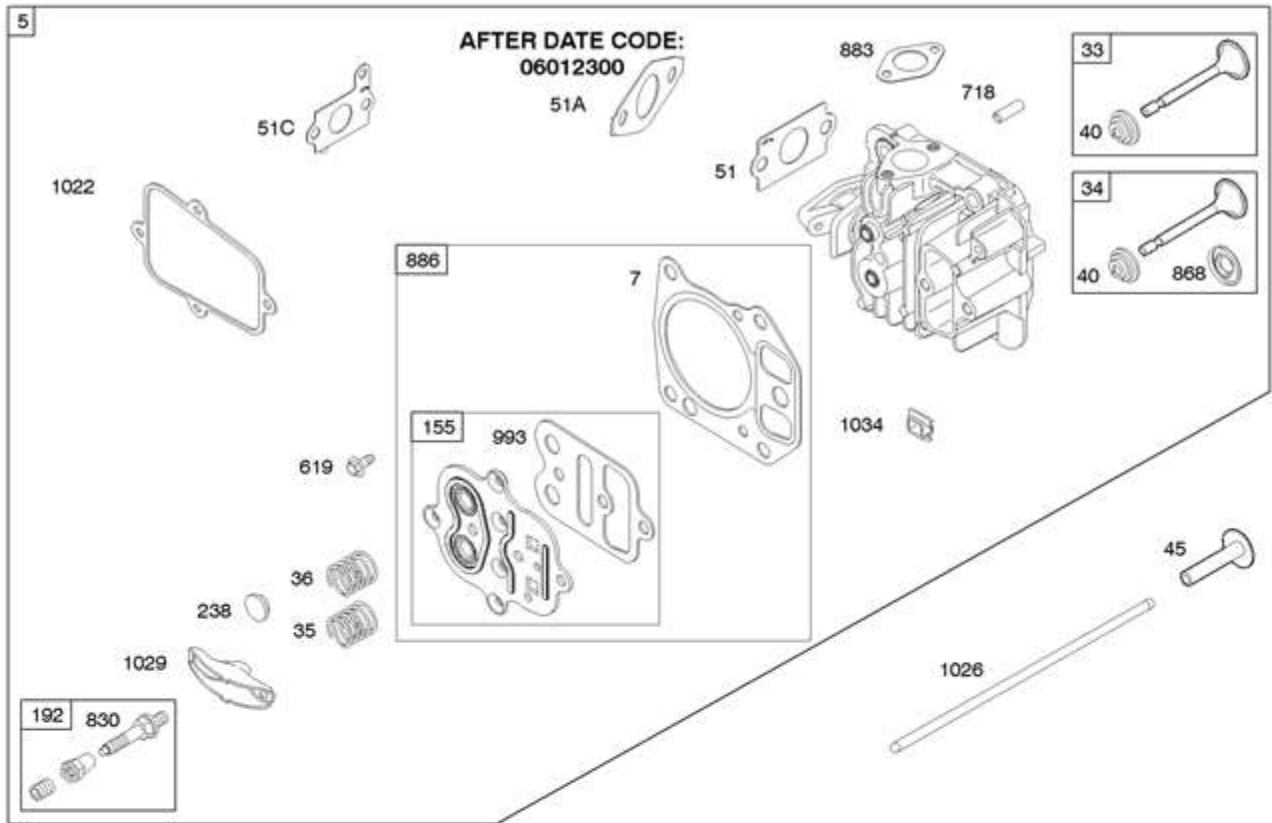
BEFORE DATE CODE: 06012400



Ref #	Part #	Description	Context Note	Foot Note
3	299819S	Seal-Oil	(Magneto Side)	
7	697230	Gasket-Cylinder Head		
9	699833	Gasket-Breather		
12	692232	Gasket-Crankcase		
20	399781S	Seal-Oil	(PTO Side)	
51	697735	Gasket-Intake		
51A	692555	Gasket-Intake	Used After Code Date 06012300	
51B	699144	Gasket-Intake	(Contains 2) Used Before Code Date 06012400	
51C	692668	Gasket-Intake		
163	691894	Gasket-Air Cleaner		
358	792384	Gasket Set-Engine	Used After Code Date 06012300	
358A	698156	Gasket Set-Engine	Used Before Code Date 06012400	
524	692296	Seal-Dipstick Tube		
585	691879	Gasket-Breather Passage		
842	691031	Seal-O Ring	(Dipstick Tube)	
868	692044	Seal-Valve		
883	691893	Gasket-Exhaust		
993	694088	Gasket-Cylinder Head Plate		
1022	691890	Gasket-Rocker Cover		
1095	792386	Gasket Set-Valve	Used After Code Date 06012300	
1095A	698158	Gasket Set-Valve	Used Before Code Date 06012400	



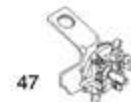
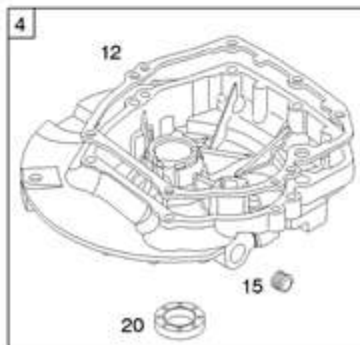
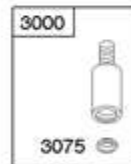
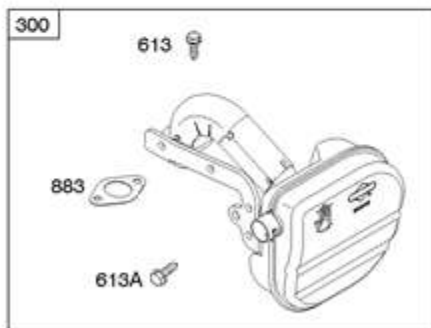
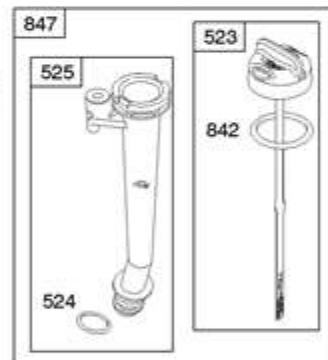
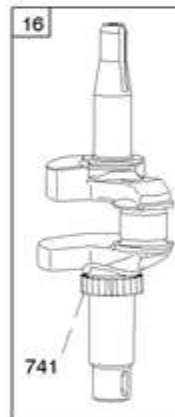
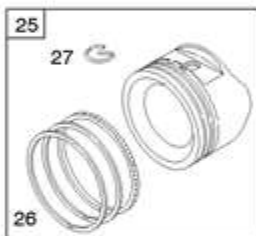
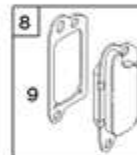
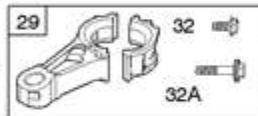
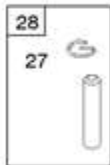
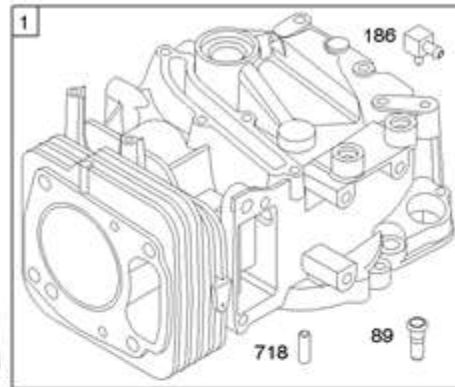
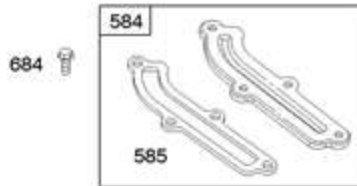
Ref #	Part #	Description	Context Note	Foot Note
111	861583	Pin-Retainer	Used After Code Date 03011900	
415	861217	Plug	(Drive Shaft Housing)	
614A	861305	Pin-Cotter	(Transmission Shift Lever) Used Before Code Date 03012000	
3014	861451	Clamp-Shift Rod		
3016	861636	Hook-Reverse		
3018	861264	Hook-Actuator		
3020	861249	Ring-Isolator		
3022	861263	Screw-Set		
3023A	861252X	Plate-Retainer	(Transmission Shift Lever)	
3026	861251	Pad-Friction		
3038	861269	Lever-Transmission Shift		
3039	861186	Housing-Drive Shaft	(Black)	
3039	861570	Housing-Drive Shaft	(Marine Green)	
3043	861303	Handle-Transmission Shift	(Black)	
3043	861571	Handle-Transmission Shift	(Marine Green)	
3044	861304	Spring-Transmission Lever		
3045	861306	Pin-Clevis		
3047A	861253X	Screw	(Retainer Plate) (Transmission Shift Lever)	
3048	861212	Screw	(Lower Unit to Engine)	
3049	861213	Nut	(Lower Unit to Engine)	
3057	861250	Screw	(Tilt Bracket)	
3058	861253	Screw	(Neutral Switch)	
3059	861250	Screw	(Friction Pad)	
3080	861239	Nut	(Friction Pad)	
3081	861240	Washer	(Transmission Shift Lever)	
3083	861319	Rivet	(Transmission Lever Spring)	
3085	861283	Switch-Neutral		
3088	861323	Rod-Shift		
3089	861334	Strap-Ground		
3093	861580	Bracket-Starboard Tilt	(Camouflage)	
3093	861568	Bracket-Starboard Tilt	(Black)	
3094	861568	Bracket-Port Tilt	(Black)	
3094	861580	Bracket-Port Tilt	(Camouflage)	



Ref #	Part #	Description	Context Note	Foot Note
5	792381	Head-Cylinder		
7	697230	Gasket-Cylinder Head		
13	691137	Screw	(Cylinder Head)	
33	499642	Valve-Exhaust		
34	499641	Valve-Intake		
35	691304	Spring-Valve	(Intake)	
36	691304	Spring-Valve	(Exhaust)	
40	692194	Retainer-Valve		
45	690977	Tappet-Valve		
51	697735	Gasket-Intake		
51A	692555	Gasket-Intake	Used After Code Date 06012300	
51B	699144	Gasket-Intake	(Contains 2) Used Before Code Date 06012400	
51C	692668	Gasket-Intake		
122	792382	Spacer-Carburetor	Used After Code Date 06012300	
155	698214	Plate-Cylinder Head		
192	694543	Adjuster-Rocker Arm		
238	691300	Cap-Valve		
265	691024	Clamp-Casing	(Throttle Cable)	
267	691044	Screw	(Casing Clamp)	
337	692051	Plug-Spark		
383	19374S	Wrench-Spark Plug		
493	861311	Bracket-Mounting		
619	691108	Screw	(Cylinder Head Plate)	
635	692927	Boot-Spark Plug		
718	690959	Pin-Locating		
830	694544	Stud-Rocker Arm		
868	692044	Seal-Valve		
883	691893	Gasket-Exhaust		
886	696268	Gasket Kit-Cylinder Head/Plate		
914	691108	Screw	(Rocker Cover) (19/32" Long)	
914A	691127	Screw	(Rocker Cover) (13/16" Long)	
993	694088	Gasket-Cylinder Head Plate		
1022	691890	Gasket-Rocker Cover		
1023	692694	Cover-Rocker		
1026	692045	Rod-Push		
1029	691230	Arm-Rocker		
1034	691343	Guide-Push Rod		

1058 OPERATOR'S MANUAL

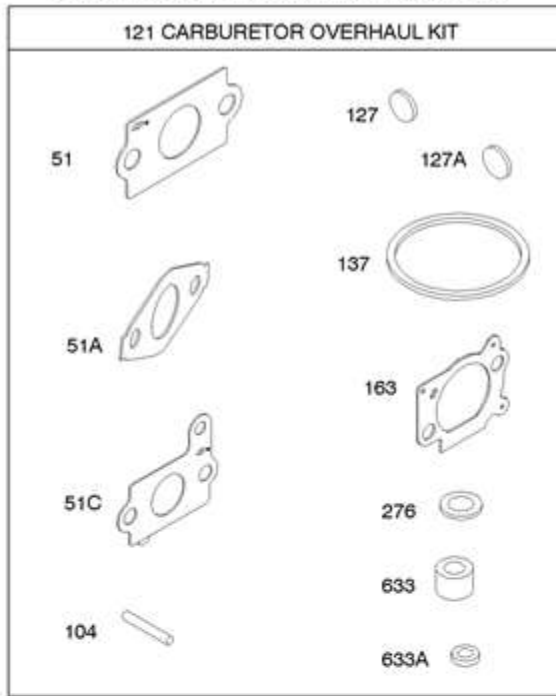
1330 REPAIR MANUAL



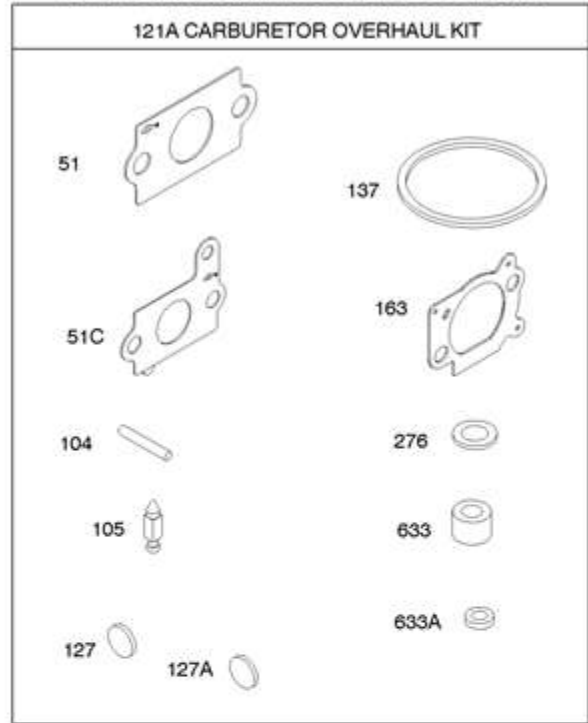
Ref #	Part #	Description	Context Note	Foot Note
1	697893	Cylinder Assembly		
2	399269	Kit-Bushing/Seal	(Magneto Side)	
3	299819S	Seal-Oil	(Magneto Side)	
4	696340	Sump-Engine		
8	495786	Breather Assembly		
9	699833	Gasket-Breather		
10	691125	Screw	(Breather Assembly)	
11	499675	Tube-Breather		
11A	692937	Tube-Breather		
12	692232	Gasket-Crankcase		
15	691680	Plug-Oil Drain		
16	692824	Crankshaft		
20	399781S	Seal-Oil	(PTO Side)	
22	691092	Screw	(Crankcase Cover/Sump)	
24	222698S	Key-Flywheel		
25	791968	Piston Assembly	(Standard)	
25	793000	Piston Assembly	(.020" Oversize)	
26	499631	Ring Set	(Standard) Used Before Code Date 04040500	
26	692786	Ring Set	(.020" Oversize) Used Before Code Date 04040500	
26	791969	Ring Set	(Standard) Used After Code Date 04040400	
26	793001	Ring Set	(.020" Oversize) Used After Code Date 04040400	
27	691866	Lock-Piston Pin		
28	499423	Pin-Piston		
29	499424	Rod-Connecting		
32	691664	Screw	(Connecting Rod) (1" Long)	
32A	695759	Screw	(Connecting Rod) (1 1/2" Long)	
46	694039	Camshaft		
47	697732	Slinger-Oil		
89	692348	Plug-Oil		
146	690979	Key-Timing	Used Before Code Date 04060900	
186	861190	Connector-Hose		
287	690940	Screw	(Dipstick Tube)	
300	699769	Muffler		
306	691232	Shield-Cylinder		
307	690345	Screw	(Cylinder Shield)	
356	861294	Wire-Stop		

Ref #	Part #	Description	Context Note	Foot Note
480	691108	Screw	(Tube Clamp) Used Before Code Date 03090200	
523	698175	Dipstick	(24 Ounces)	
524	692296	Seal-Dipstick Tube		
525	495265	Tube-Dipstick		
527	698467	Clamp-Tube	Used Before Code Date 03090200	
584	697734	Cover-Breather Passage		
585	691879	Gasket-Breather Passage		
613	691108	Screw	(Muffler) (19/32" Long)	
613A	691140	Screw	(Muffler) (2/3" Long)	
684	690345	Screw	(Breather Passage Cover)	
718	690959	Pin-Locating		
741	691830	Gear-Timing	Used Before Code Date 04060900	
741	790345	Gear-Timing	Used After Code Date 04060800	
832	861201	Guard-Muffler		
836	694593	Screw	(Muffler Guard)	
836A	691108	Screw	(Muffler Guard)	
836B	691140	Screw	(Muffler Guard)	
842	691031	Seal-O Ring	(Dipstick Tube)	
847	698176	Dipstick/Tube Assembly		
883	691893	Gasket-Exhaust		
1058	MS5682	Operator's Manual		
1330	275110	Repair Manual		
3000	861185	Adapter/Seal- Crankshaft		
3075	861268	Seal-Crankshaft Adapter		

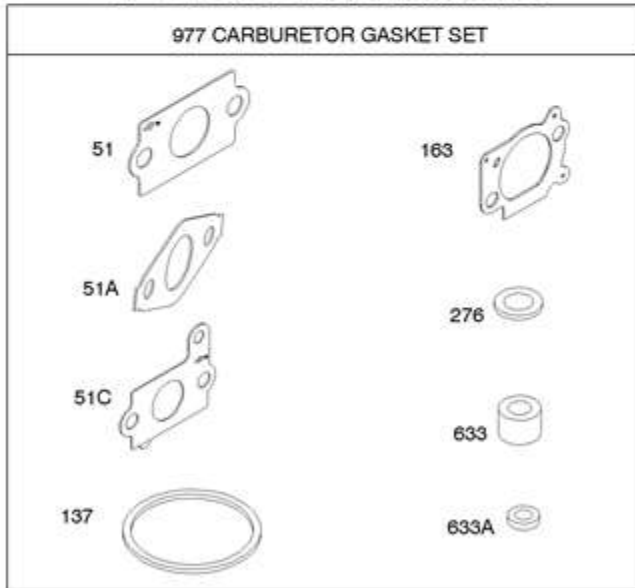
AFTER DATE CODE: 06012300



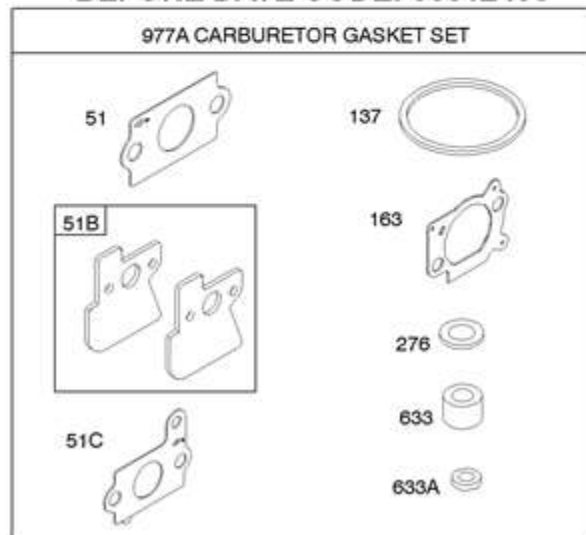
BEFORE DATE CODE: 06012400



AFTER DATE CODE: 06012300



BEFORE DATE CODE: 06012400



Ref #	Part #	Description	Context Note	Foot Note
51	697735	Gasket-Intake		
51A	692555	Gasket-Intake	Used After Code Date 06012300	
51B	699144	Gasket-Intake	(Contains 2) Used Before Code Date 06012400	
51C	692668	Gasket-Intake		
104	691242	Pin-Float Hinge		
105	691782	Valve-Float Needle		
121	792383	Kit-Carburetor Overhaul	Used After Code Date 06012300	
121A	698155	Kit-Carburetor Overhaul	Used Before Code Date 06012400	
127	691739	Plug-Welch		
127A	694468	Plug-Welch	Used Before Code Date 02082600	
137	693981	Gasket-Float Bowl		
163	691894	Gasket-Air Cleaner		
276	271716	Washer-Sealing		
633	691321	Seal-Choke/Throttle Shaft	(Throttle Shaft)	
633A	693867	Seal-Choke/Throttle Shaft	(Choke Shaft)	
977	792385	Gasket Set-Carburetor	Used After Code Date 06012300	
977A	698157	Gasket Set-Carburetor	Used Before Code Date 06012400	