

Parts List for Model A2G246 Pump

NOTE: The quantity number indicates the total number of pieces required for a complete unit repair.
When ordering parts give compressor model, serial number and part number. Order assemblies when possible.

<u>REF. NO.</u>	<u>PART NO.</u>	<u>DESCRIPTION</u>	<u>QTY.</u>
1	630-014002021	BOLT,HEAD,M6 X 45,AM39, 3952	4
2	630-116069001	HEAD,COMPRESSOR,AIR,ALUM,AM39,(3950)	1
3	630-317007000	FILTER,AIR,PUMP,AM39/77/78/840,39154	1
4	630-116022009	GASKET,HEAD,AM39/77, 3951	1
5	630-116022013	PLATE,VALVE,AM39/77,(3940)	2
6	630-116022010	GASKET,CYLINDER,TOP,AM39/77,(3912)	1
7	630-116022038	REED,VALVE,AM39/77, 3947	2
8	630-116022012	GASKET,PLATE,VALVE,AM39/77,(3941)	1
9	630-116032080	CYLINDER,CAST IRON, AM39/AM78,MK232,7830	1
10	630-014011064	BOLT,CYLINDER,M8 X 18,AM78,(788)	2
11	630-116091015	GASKET,CYLINDER,AM99,(9912)	1
12	630-216022002	SET,RING,PISTON, AM39/77,(39133)	1
13	630-116022004	PISTON,AM39/77,(3932)	1
14	630-116022040	PIN,WRIST,AM39/77,(3935)	1
15	630-015001000	CLIP,PIN,WRIST,AM39/77,(3936)	2
16	630-416022004	KIT,PIN&PISTON&RINGS,AM39/77/78,(39132)	1
17	630-116091021	ROD,CONNECTING,AM39/77/78/99,(3921)	1
18	630-009200035	CAPACITOR,60MF,AM77/780/, 7819	1
19	N/A	N/A	
20	630-012043000	DIPSTICK,AM99,(9914A)	1
21	630-010024000	RING,O,AM99,(9914B)	1
22	630-012026000	CAP,FILL,OIL,AM99/AM204/AM403,(9914)	1
23	630-014013021	SCREW,M6 X 20,AM80/132,(336)	4

Parts List for Model A2G246 Pump

NOTE: The quantity number indicates the total number of pieces required for a complete unit repair.
When ordering parts give compressor model, serial number and part number. Order assemblies when possible.

<u>REF. NO.</u>	<u>PART NO.</u>	<u>DESCRIPTION</u>	<u>QTY.</u>
24	630-016091002	COVER,END,W/O SIGHTGLASS,HL, AM99,(992B)	1
25	630-010072000	RING,O,PLUG,DRAIN,OIL,M800,(8004)	1
26	630-014013024	PLUG,DRAIN,OIL,AM39/77/78/403,(3913)	1
27	630-116091011	GASKET,COVER, END,AM99,(993)	1
28	630-116091001	CRANKCASE,AM99,(991)	1
29	630-014003002	NUT,M6,AM39/77,AM204,AM761,(3929)	2
30	630-014005009	WASHER,CRANKCASE	2
31	630-008055000	SWITCH,OVERLOAD,16AMP,AM132-AS75,(A7812)	1
32	630-116022011	CRANKSHAFT,AM39,CSA,(C3920)	1
33	630-033027000	BEARING,6205,AM204,(209)	1
34	630-010029000	SEAL,SHAFT,AM99,(9911)	1
35	630-116092003	ROTOR,MOTOR,A2G246	1
36	630-416QC1652	STATOR,MOTOR,WOUND,A2G246	1
37	630-6203-2Z	BEARING,END,MOTOR,AM39/77/78, 999	1
38	630-116011001	COVER,END,MOTOR,PLASTIC,AM39/77,(3928)	1
39	630-116011038	BOLT,M6 X 130,AM390/780/800,(3926)	2
40	630-116001003	FAN,ALUMINUM,AM78,(7839)	1
41	630-116001002	HOUSING,FAN,PLASTIC,BLACK,AM78,(7848)	1
42	630-014006023	SCREW,NO.8 X 1/2", AM39/77, 396	2

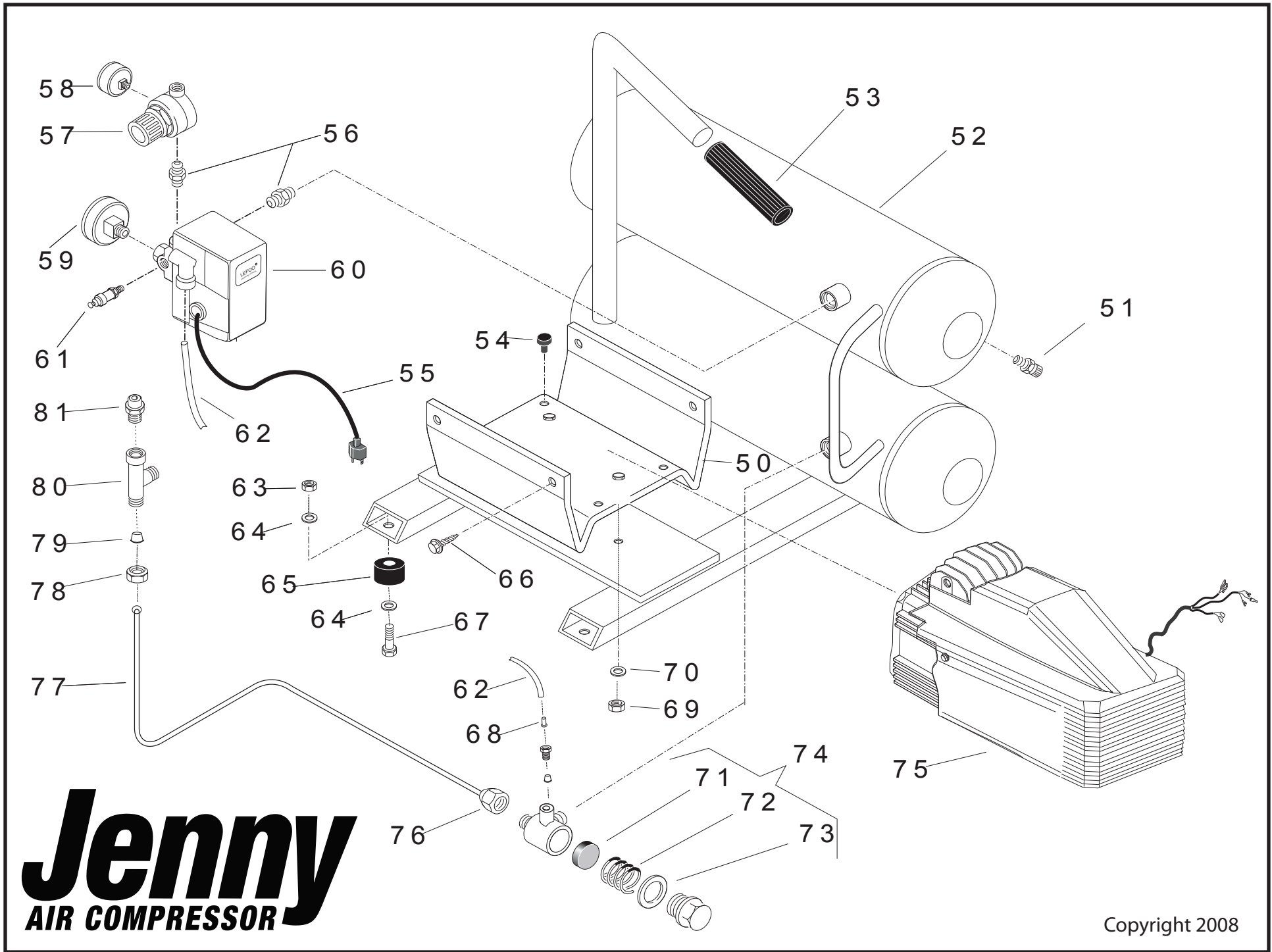
ASSEMBLIES

43	630-1019	SET,GASKET,BASIC,A2G246,(46100) Includes 4, 6, 8, 11, and 27	1
44	630-1020	KIT,REPAIR,BASIC,A2G246,(46101) Includes 3, 4, 6, 7, 8, 11, 12, and 27	1

Parts List for Model A2G246 Pump

NOTE: The quantity number indicates the total number of pieces required for a complete unit repair.
When ordering parts give compressor model, serial number and part number. Order assemblies when possible.

<u>REF. NO.</u>	<u>PART NO.</u>	<u>DESCRIPTION</u>	<u>QTY.</u>
45	630-1013	FILTER,AIR,AM39/77/78/840,PACKAGE OF 6, 39154P	1



Jenny
AIR COMPRESSOR

Parts List For A2G246-HC4V

NOTE: The quantity number indicates the total number of pieces required for a complete pump repair.
When ordering parts give compressor model, serial number and part number. Order assemblies when possible.

<u>REF. NO.</u>	<u>PART NO.</u>	<u>DESCRIPTION</u>	<u>QTY.</u>
50	109-1203	SADDLE,STEEL,PAINTED,A2G246-HC4V	1
51	141-1058	DRAIN,PETCOCK,BRASS,1/4"NPTM,DC14	2
52	630-010041000	RING,O,VITON,VALVE,CHECK,(A1565)	1
53	104-1073	GRIP,HANDLE,RUBBER,BLACK,7/8",ECONO	1
54	630-199575000	MOUNT,ISOLATOR,VIBRATION,(C20014)	4
55	123-1026	CORD,DROP,SJOW,5-15PLUG,15 AMP,14/3,6 FT	1
56	122-1137	NIPPLE,CLOSE,STEEL,SCH 40,PLATED,1/4"	2
57	360-1108	REGULATOR,PRESSURE,AIR,W/PG18,1/4"N,R14	1
58	142-1002	GAUGE,PSI,200#,BK MT,JENNY,1.5,1/8",PG18	1
59	142-1003	GAUGE,PSI,200#,BK MT,JENNY,1.5,1/4",PG14	1
60	140-1082	SWITCH,PSI,2HP,95-125#,UNLDR&LVR&4PORT	1
61	141-1004	VALVE,SAFETY,ASME,1/4",165 PSI,54 SCFM	1
62	610-1402	TUBE,UNLOADER,NYLON,W/SLV&INSERT,HC4H	1
63	120-1116	NUT,LOCK,FLANGE,HEX,SERR,ST,PLTD,1/4-20	4
64	120-1070	WASHER,FLAT,STEEL,PLATED,SAE,1/4"	8
65	630-020004001	FOOT,MOLDED,RUBBER,AM246-HC4V	4
66	120-1177	SCREW,SELF DRILL,HEX,ST,PL,12 X 3/4	4
67	630-014001041	BOLT,M8 X 20,AM80/AM204/AM403,(2049)	4
68	121-1048	INSERT,TUBING,BRASS,1/4"OD NYLON	2
69	630-014003002	NUT,M6,AM39/77,AM204,AM761,(3929)	3
70	630-014008008	WASHER,FLAT,STEEL,PLATED,6MM	3
71	630-047129001	SEAL,VALVE,CHECK,A2G246	1
72	630-047113002	SPRING,VAVLE,CHECK,(A1564)	1

Parts List For A2G246-HC4V

NOTE: The quantity number indicates the total number of pieces required for a complete pump repair.
When ordering parts give compressor model, serial number and part number. Order assemblies when possible.

<u>REF. NO.</u>	<u>PART NO.</u>	<u>DESCRIPTION</u>	<u>QTY.</u>
73	630-010041000	RING,O,VITON,VALVE,CHECK,(A1565)	1
74	630-347043000	VAVLE,CHECK,(C20018)	1
75	132-1072	COMPRESSOR,PUMP&MTR,2 HP,CSA,FINI,MK246	1
76	630-199437000	NUT,LOCK,TUBING,COPPER,A2G246	1
77	630-127QC0010	AFTERCCOLER,COPPER,YYODXYYY,A2G246-HC4V	1
78	630-011117002	NUT,LOCK,TUBING,COPPER,A2G246	1
79	630-011117000	SLEEVE,NUT,LOCK,TUBING,COPPER,A2G246	1
80	630-199617000	TEE,COMPRESSION,3/8",(C20003)	1
81	630-011158000	VALVE,EXHAUST,AFTERCOOLER,(9979)	1