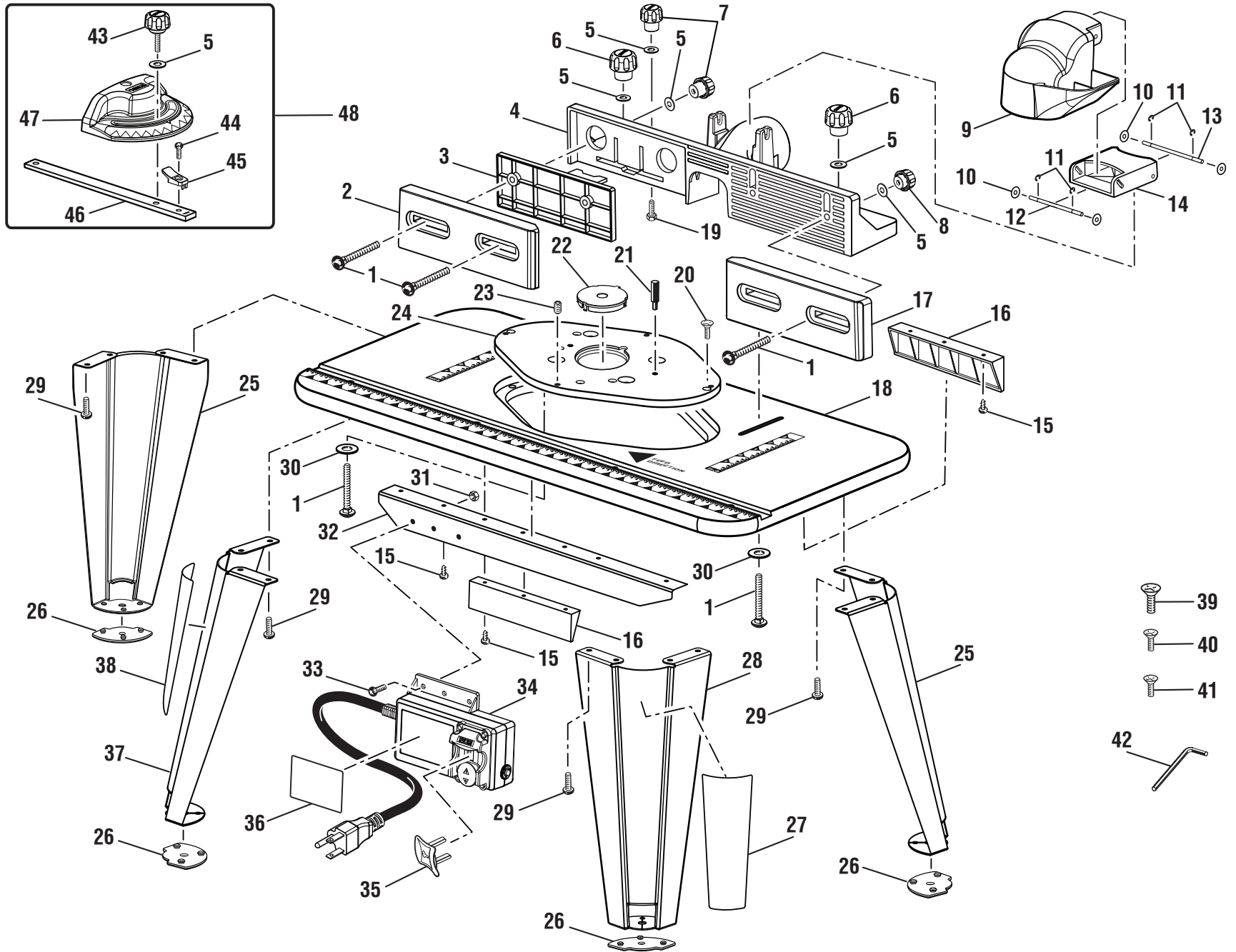


# RYOBI ROUTER TABLE - MODEL NUMBER A25RT01



**RYOBI ROUTER TABLE – MODEL NUMBER A25RT01**

**PARTS LIST**

<b>KEY NO.</b>	<b>PART NUMBER</b>	<b>DESCRIPTION</b>	<b>QTY</b>	<b>KEY NO.</b>	<b>PART NUMBER</b>	<b>DESCRIPTION</b>	<b>QTY</b>
1	9002780019	* CARRIAGE BOLT (1/4-20 x 1 3/4 in.).....	6	26	9002780042	RUBBER PAD.....	4
2	9002780030	LEFT SLIDING FENCE FACE .....	1	27	9002780044	WARNING LABEL (SPANISH/FRENCH) .....	1
3	9002780029	JOINING FENCE .....	1	28	9002780004	RIGHT FRONT TABLE LEG (INC. KEY NOS. 26-27) .....	1
4	9002780028	FENCE .....	1	29	9002780015	LEG SCREW .....	16
5	9002780021	LOCK KNOB WASHER .....	6	30	9002780020	CARRIAGE BOLT WASHER .....	2
6	9002780022	LARGE LOCK KNOB .....	2	31	9002780017	* SWITCH BOX NUT (1/4-20 in.) .....	3
7	9002780032	SMALL LOCK KNOB W/SHOULDER .....	3	32	9002780047	FRONT RAIL .....	1
8	9002780033	SMALL LOCK KNOB .....	2	33	9002780016	* SWITCH BOX SCREW (1/4-20 x 5/8 in.).....	3
9	9002780035	CUTTER/BIT GUARD .....	1	34	9002780007	SWITCH BOX (INC. KEY NOS. 35-36).....	1
10	9002780040	FLAT WASHER.....	4	35	9002780070	SWITCH KEY .....	1
11	9002780039	E-RING.....	4	36	9002780057	DATA LABEL.....	1
12	9002780037	SHORT HINGE PIN .....	1	37	9002780003	LEFT FRONT TABLE LEG (INC. KEY 26 AND 38).....	1
13	9002780038	LONG HINGE PIN .....	1	38	9002780043	WARNING LABEL (ENGLISH).....	1
14	9002780036	CUTTER GUARD BRACKET .....	1	39	9002780023	* SCREW (5/16-18 x 3/4 in.).....	3
15	9002780051	WOOD SCREW.....	10	40	9002780024	* SCREW (10-24 x 5/8 in.).....	3
16	9002780006	UNDER TABLE GUARD .....	2	41	9002780025	* SCREW (10-32 x 5/8 in.).....	3
17	9002780031	RIGHT SLIDING FENCE FACE.....	1	42	9002780026	HEX KEY (1/8 in.) .....	1
18	9002780071	ROUTER TABLE TOP.....	1	43	9002780073	MITER GAUGE LOCK KNOB.....	1
19	9002780034	* HEX BOLT (1/4-20 x 7/8 in.).....	1	44	9002780060	MITER GAUGE SCREW.....	1
20	9002780055	* INSERT PLATE SCREW (10-24 x 3/4 in.).....	2	45	9002780062	POINTER.....	1
21	9002780014	STARTING PIN .....	1	46	9002780059	BAR.....	1
22	9002780009	THROAT PLATE-A (1/2 in.).....	1	47	9002780058	MITER GAUGE.....	1
	9002780010	THROAT PLATE-B (1 in.).....	1	48	9002780008	MITER GAUGE ASSEMBLY (INC. KEY NOS. 5, 43-47) .....	1
	9002780011	THROAT PLATE-C (1-3/16 in.) .....	1		987000114	OPERATOR'S MANUAL (NOT SHOWN)	
	9002780012	THROAT PLATE-D (1-1/2 in.) .....	1		03-19-07		
	9002780013	THROAT PLATE-E (2 in.) .....	1		(REV:00)		
23	9002780054	* LEVELING SCREW (1/4-20 x 5/16 in.).....	4				
24	9002780072	INSERT PLATE (INC. KEY 23) .....	1				
25	9002780005	REAR TABLE LEG (INC. KEY 26) .....	2				

\* STANDARD HARDWARE ITEM – MAY BE PURCHASED LOCALLY