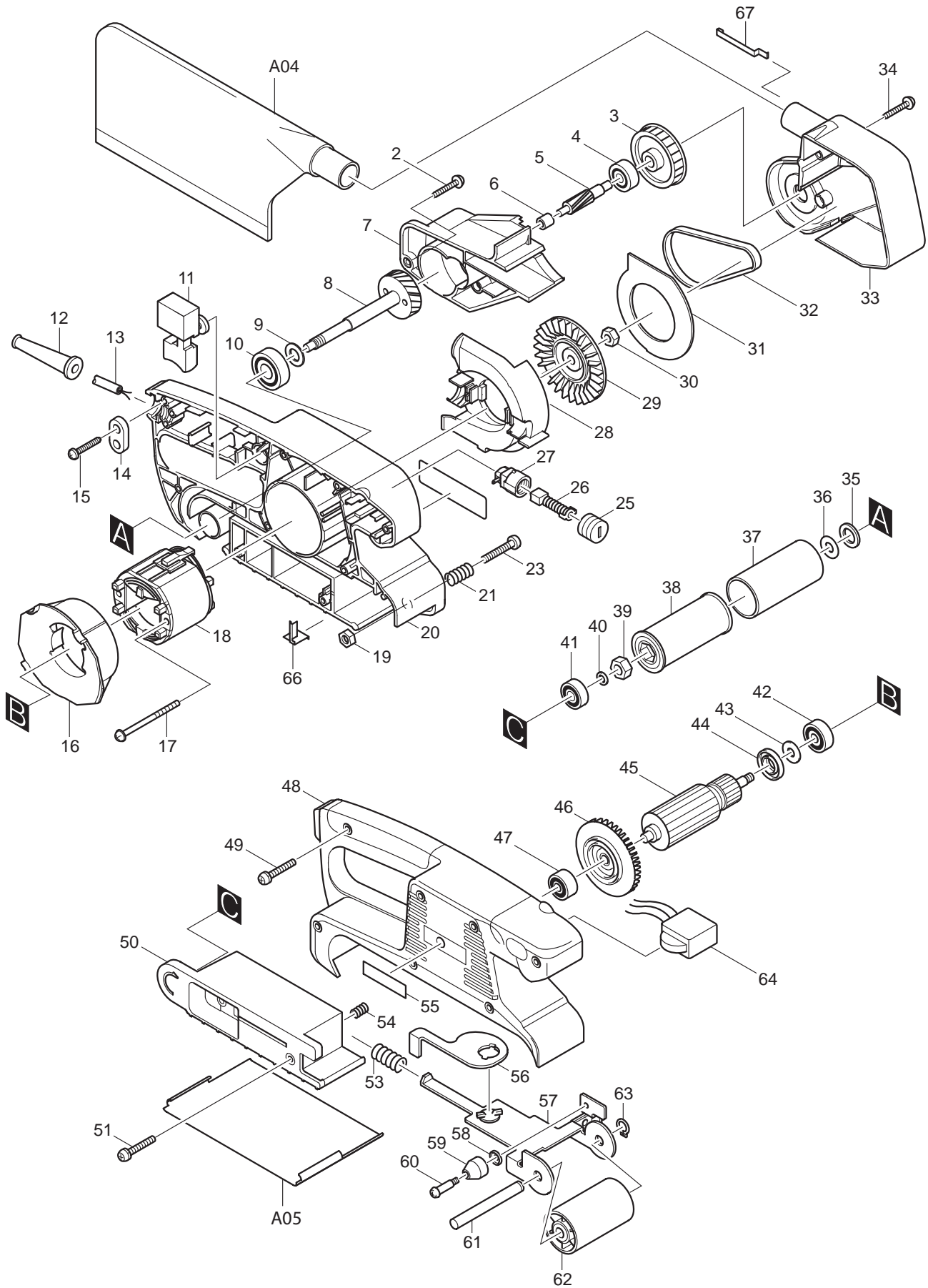




04 - 2010
9911 / 9911KX1
3/18" BELT SANDER



Item No	Type	Ref	Part No	Description	Qty	Unit
2			265999-8	TAPPING SCREW 4X25	4	PC.
3			222144-8	PULLEY 8.5-45.1	1	PC.
4			210005-4	BALL BEARING 608DDW	1	PC.
5			226494-3	HELICAL GEAR 6	1	PC.
6			212009-2	NEEDLE BEARING 509	1	PC.
7			416420-2	BRACKET	1	PC.
8			153252-3	HELICAL GEAR 31 COMPLETE	1	PC.
9			253758-2	FLAT WASHER 10	1	PC.
10			211061-7	BALL BEARING 6000LLB (OLD# 211088-7)	1	PC.
11		2	650232-5	SWITCH TGL215CDT-1 (TYPE1# 651285-7)	1	PC.
12			682502-4	CORD GUARD 8-85	1	PC.
13			664891-9	CORD WITH PLUG 2P-18-2.5M SJ	1	PC.
14			687063-9	CORD CLAMP	1	PC.
15			265995-6	TAPPING SCREW 4X18	2	PC.
16			416418-9	BAFFLE PLATE	1	PC.
17			266052-3	TAPPING SCREW 4X60	2	PC.
18		1	633391-0	FIELD 115V	1	PC.
		2	639383-7	FIELD 115V	1	PC.
19			931202-6	HEX. NUT M5	1	PC.
20			150958-4	HOUSING L COMPLETE	1	PC.
20		INC.		Item No. 6,19		
21			233219-8	COMPRESSION SPRING 6	1	PC.
22			941102-2	FLAT WASHER 5 (Old)	1	PC.
23			911252-7	PAN HEAD SCREW M5X30	1	PC.
25			643550-8	BRUSH HOLDER CAP 5-8	2	PC.
26		1	191938-1	CARBON BRUSH CB-408 2PC/SET (W/O ORIGIN)	1	SET
		2	195008-8	CARBON BRUSH CB-408 2PC/SET (W/ ORIGIN)	1	SET
27			643922-7	BRUSH HOLDER	2	PC.
28			416416-3	SCROLL PLATE	1	PC.
29			241660-1	FAN 68	1	PC.
30			252153-3	HEX. NUT M6-10	1	PC.
31			344584-1	PLATE	1	PC.
32			225079-2	SYNCHRO BELT 6-300	1	PC.
33			183021-8	* BELT COVER SET (OLD# 416415-5 - N/L/A)	1	PC.
		INC.		* Item No. 67		
34			265999-8	TAPPING SCREW 4X25	4	PC.
35			267177-6	FLAT WASHER 12	1	PC.
36			253865-1	FLAT WASHER 8	1	PC.
37			422032-1	RUBBER SLEEVE 29	1	PC.
38			316971-4	DRIVING ROLLER	1	PC.
39			252154-1	HEX. NUT M8-13	1	PC.
40			253077-6	FLAT WASHER 6	1	PC.
41			210022-4	BALL BEARING 626DDW	1	PC.
42			210023-2	BALL BEARING 627DDW	1	PC.
43			253823-7	FLAT WASHER 7	1	PC.
44		2	681658-0	INSULATION WASHER (TYPE1# 681648-3)	1	PC.
45			517241-6	ARMATURE ASS'Y 115V	1	PC.
		INC.		Item No. 42-44,46,47		
46			240008-4	FAN 60	1	PC.
47			211021-9	BALL BEARING 607LLB	1	PC.
48			182982-9	HOUSING R	1	PC.
		INC.		Item No. 55		

Item No	Type	Ref	Part No	Description	Qty	Unit
49			265999-8	TAPPING SCREW 4X25	7	PC.
50			416419-7	SHOE	1	PC.
51			265999-8	TAPPING SCREW 4X25	2	PC.
53			233221-1	COMPRESSION SPRING 12	1	PC.
54			231038-6	COMPRESSION SPRING 6	1	PC.
55			819063-3	MAKITA LABEL	1	PC.
56			344585-9	LEVER	1	PC.
57			150837-6	TENSION ROLLER ARM COMPLETE	1	PC.
58			267731-6	CUP WASHER 4	1	PC.
59			416417-1	ROLLER	1	PC.
60			265059-6	SHOULDER SCREW M4	1	PC.
61			323776-5	TENSION ROLLER SHAFT	1	PC.
62			152585-3	TENSION ROLLER COMPLETE	1	PC.
63			961004-6	RETAINING RING S-8	1	PC.
64			631675-0	CONTROLLER (OLD# 631182-3 - N/L/A)	1	PC.
66			344703-9	* EARTH SUPPORTER	1	PC.
67			344701-3	* EARTH PLATE	1	PC.
100			652008-6	P.H. SCREW M3.5 X 7	4	PC.
101			654037-5	INSULATED EYE TERMINAL FT1.25-M3	4	PC.
102			632800-6	LEAD UNIT	2	PC.

ACCESSORIES

- See Catalogue or visit www.makita.ca for other optional accessories -

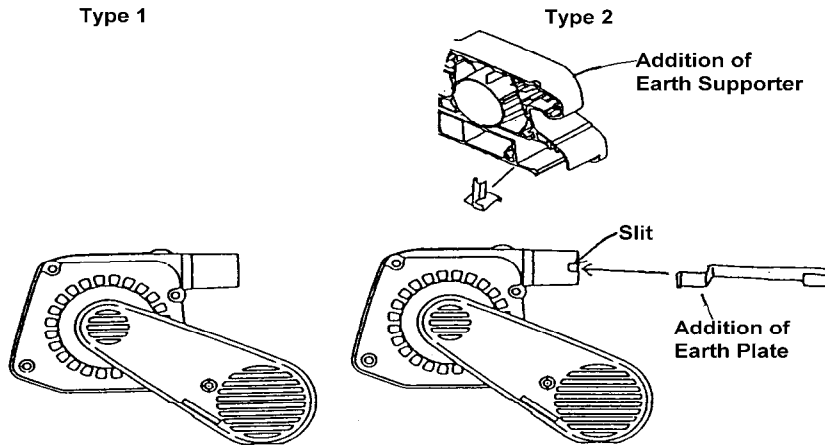
A01			794551-A	3X18" ABRASIVE BELT NAXB80, 10PC/SET	1	PC.
A02	1		824733-1	PLASTIC CARRYING CASE	1	PC.
	2		824982-0	PLASTIC CARRYING CASE	1	PC.
		INC.	162271-8	LATCH	2	PC.
		INC.	450990-1	HANDLE	1	PC.
A03	1		824732-3	CARRYING CASE INNER TRAY F/824733-1	1	PC.
	2		837721-9	CARRYING CASE INNER TRAY F/824982-0	1	PC.
A04			122548-3	DUST BAG ASS'Y	1	PC.
		INC.	410602-8	FASTENER	1	PC.
A05			344586-7	STEEL PLATE	1	PC.
A06			192278-0	HOSE COM. 28-1.5M	1	PC.
			192279-8	HOSE 1" DIA.X9.6FT	1	PC.
A07			192694-6	CLAMP COM.	1	PC.

SERVICE CHANGES

1. Changes on Belt Cover and addition of Earth Supporter and Earth Plate

Item No.	Description	Type 1	Type 2
33	Belt Cover / Belt Cover Set	416415-5	183021-8
66	Earth Supporter	-----	344703-9
67	Earth Plate	-----	344701-3
	Serial No. 9911	~ 8159E	8160E ~

Above parts are completely interchangeable as a set.



Earth Supporter and Earth Plate have been added and Belt Cover changed to prevent generation of static electricity.