

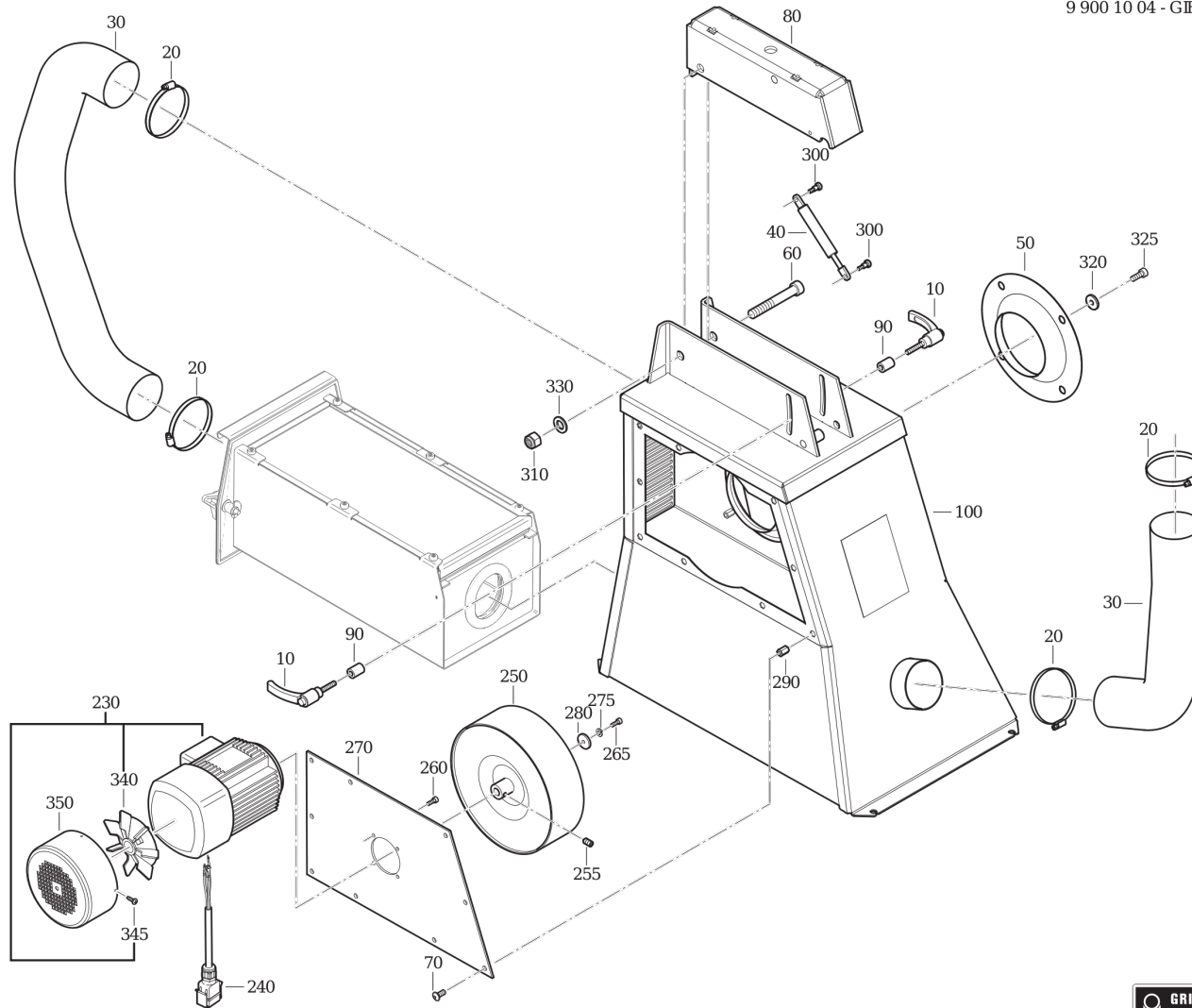
Type: GRIT GIBE
Part no.: 99001004020

Item	Part no.	Designation	Quantity
20	39000000003	Tube clamps	4
30	39000000002	Hose	2
40	39000000484	Gas compression spring	1
50	39000001087	Nozzle	1
110	39000000976	Cassette filter	1
120	39000000100	Metal filter	1
130	39000000975	Seal	1
140	39000000969	Seal	1
190	39000000429	Screw	6
230	39000000973	Motor 0,37kW/2840 RPM	1
250	39000000977	Blade	1
280	39000004268	Disc	1
340	39000005269	Blade	1
345	43041040048	Fillister head screw	2
350	39000005282	Hood	1

Type:
Part no.:

GRIT GIBE
99001004020

9 900 10 04 - GIBE



Type:
Part no.:

GRIT GIBE
99001004020

9 900 10 04 - GIBE

