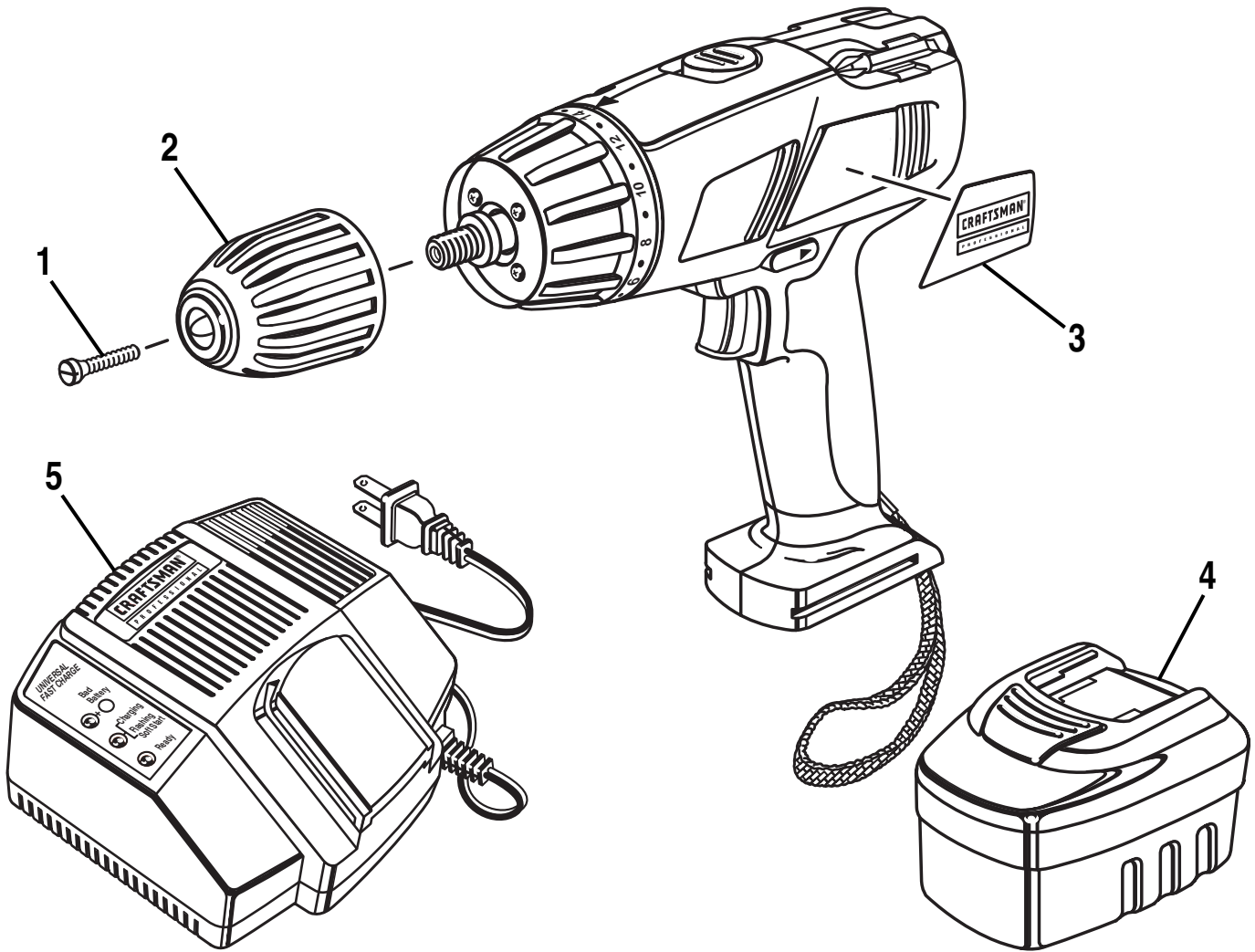


**CRAFTSMAN 3/8 in. PROFESSIONAL CORDLESS DRILL-DRIVER  
MODEL NO. 973.271600**

The model number will be found on a plate attached to the motor housing. Always mention the model number in all correspondence regarding your **CRAFTSMAN 3/8 in. PROFESSIONAL CORDLESS DRILL-DRIVER** or when ordering repair parts.

**SEE BACK PAGE FOR PARTS ORDERING INSTRUCTIONS**



**PARTS LIST**

Key No.	Part Number	Description	Quan.
1	616478-003	Screw (Special) .....	1
2	981502-001	Chuck (Item No. 9-20955) .....	1
3	981501-001	Logo Plate .....	1
4	** 9-11022	Battery Pack (Includes Part No. 981956-001) .....	1
5	* 9-11040	Battery Charger (Includes Part No. 981399-001) .....	1
6	981500-001	Carrying Case – Not Shown .....	1
	972000-754	Owner's Manual	

\* Can Be Purchased At Your Nearest Sears Retail Store

\*\* Can Be Purchased Thru RSOS (Retail Special Order System)