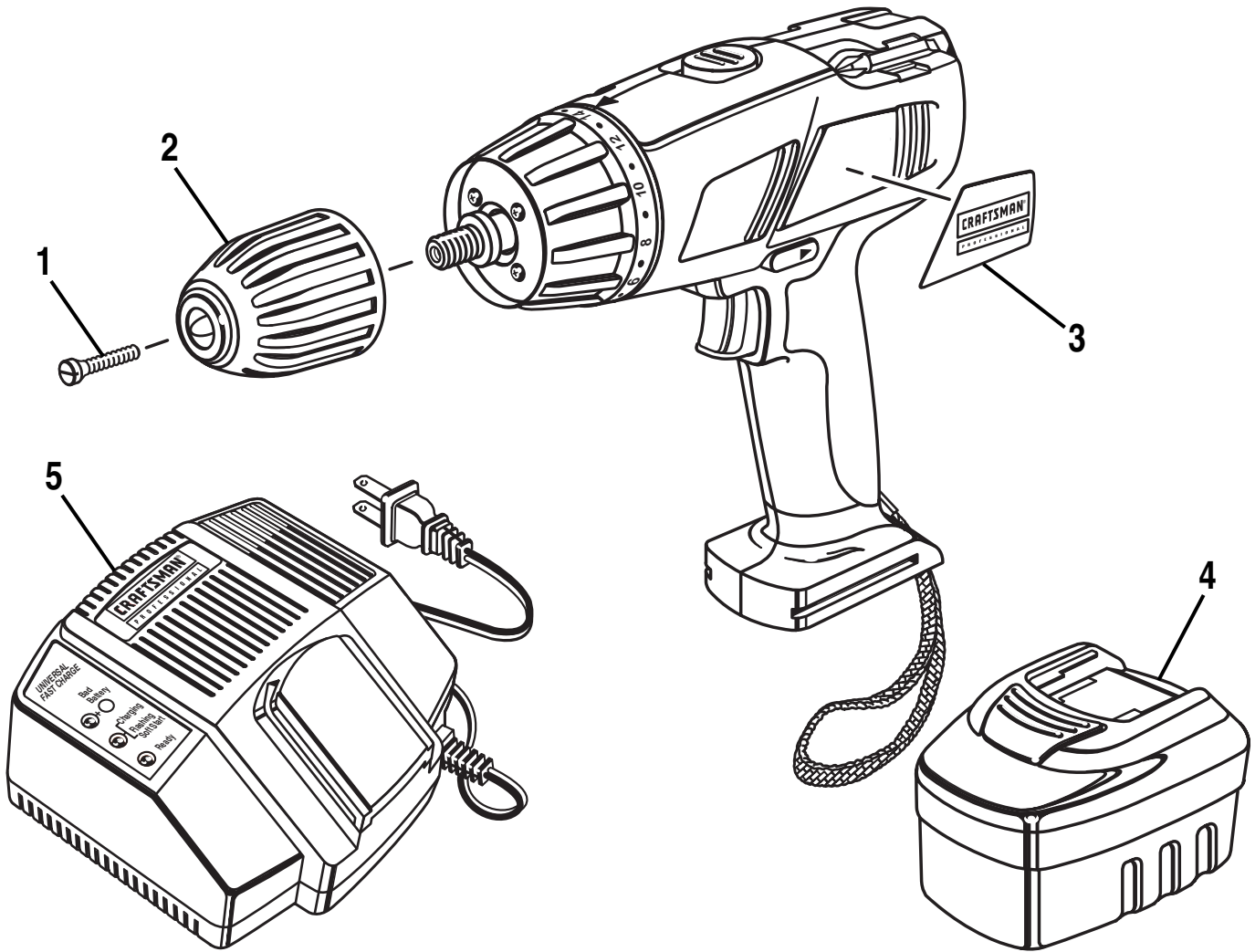


**CRAFTSMAN 3/8 in. PROFESSIONAL CORDLESS DRILL-DRIVER
MODEL NO. 973.271600**

The model number will be found on a plate attached to the motor housing. Always mention the model number in all correspondence regarding your **CRAFTSMAN 3/8 in. PROFESSIONAL CORDLESS DRILL-DRIVER** or when ordering repair parts.

SEE BACK PAGE FOR PARTS ORDERING INSTRUCTIONS



PARTS LIST

Key No.	Part Number	Description	Quan.
1	616478-003	Screw (Special)	1
2	981502-001	Chuck (Item No. 9-20955)	1
3	981501-001	Logo Plate	1
4	** 9-11022	Battery Pack (Includes Part No. 981956-001)	1
5	* 9-11040	Battery Charger (Includes Part No. 981399-001)	1
6	981500-001	Carrying Case – Not Shown	1
	972000-754	Owner's Manual	

* Can Be Purchased At Your Nearest Sears Retail Store

** Can Be Purchased Thru RSOS (Retail Special Order System)