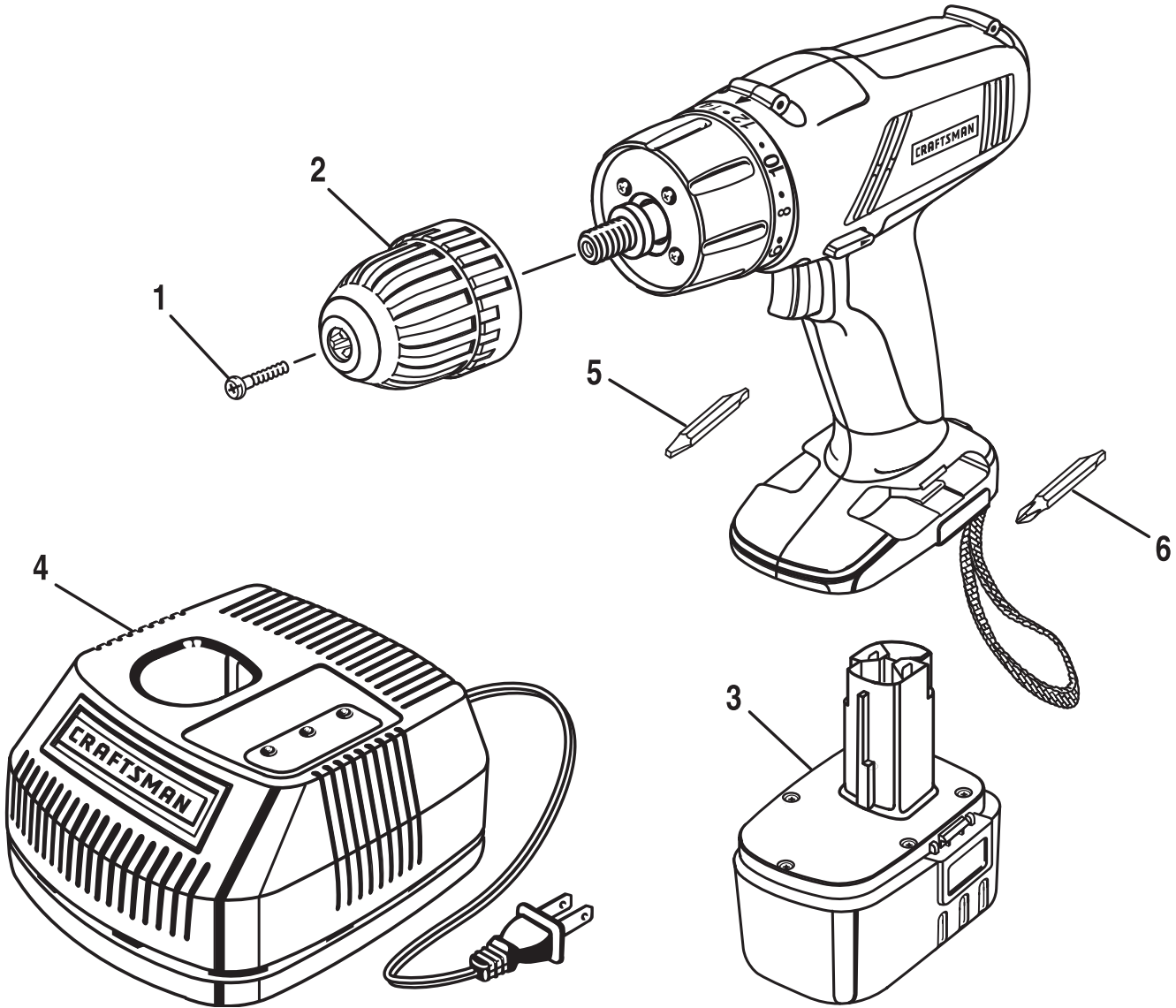


**CRAFTSMAN 10 mm (3/8 in.), 13.2 VOLT CORDLESS DRILL-DRIVER
MODEL NUMBER 973.227020**

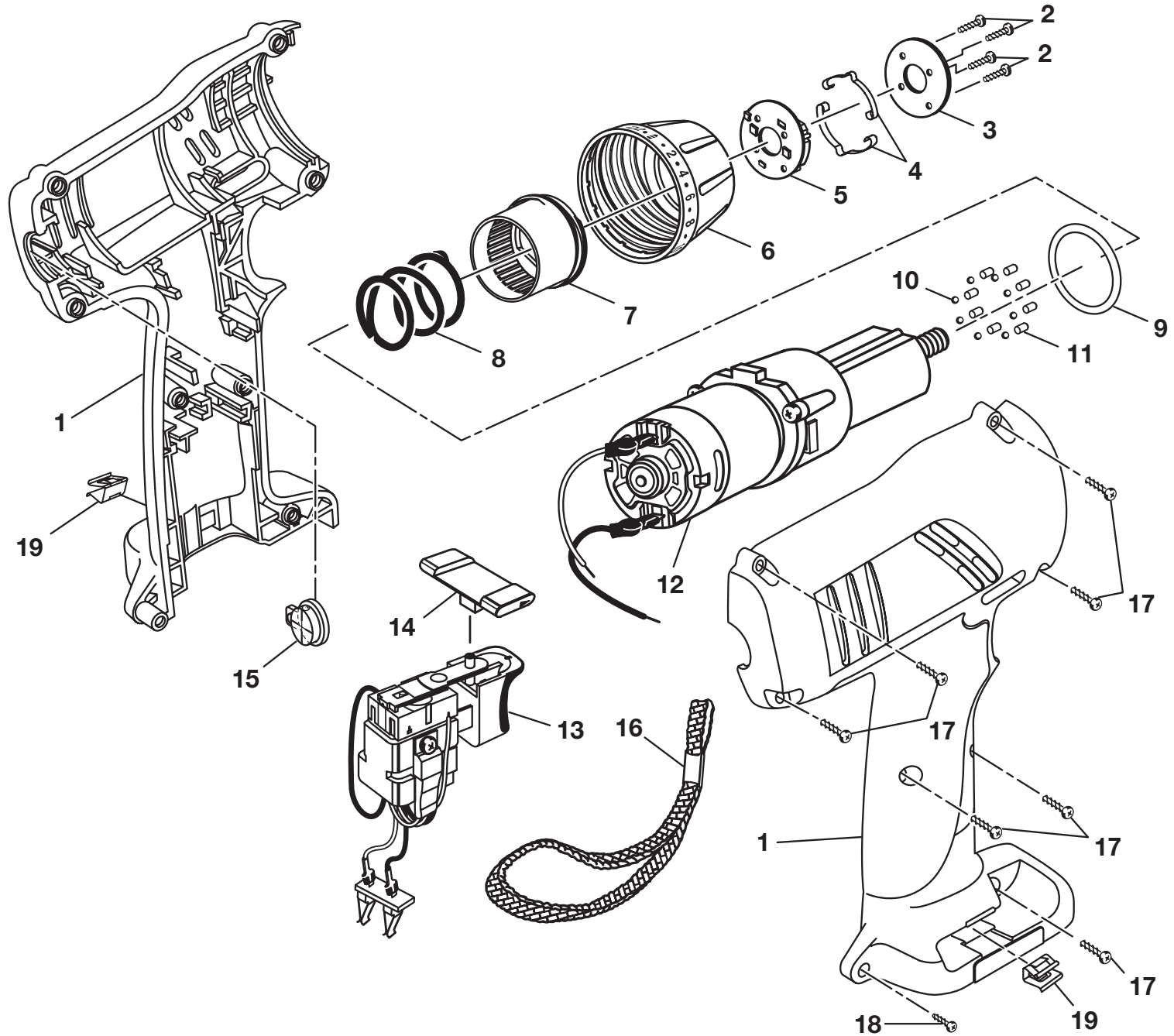
The model number will be found on a label attached to the motor housing. Always mention the model number in all correspondence regarding your **10 mm (3/8 in.), CORDLESS DRILL-DRIVER** or when ordering repair parts.



PARTS LIST

KEY NO.	PART NUMBER	DESCRIPTION	QTY.
1	6612001	SCREW (SPECIAL)	1
2	6903302	CHUCK	1
3	1323420	BATTERY PACK	1
4	1425302	CHARGER	1
5	6782206	BIT	1
6	6782037	BIT	1

CRAFTSMAN 10 mm (3/8 in.), 13.2 VOLT CORDLESS DRILL-DRIVER – MODEL NUMBER 973.227020



CRAFTSMAN 10 mm (3/8 in.), 13.2 VOLT CORDLESS DRILL-DRIVER – MODEL NUMBER 973.227020

The model number will be found on a label attached to the motor housing. Always mention the model number in all correspondence regarding your **10 mm (3/8 in.), CORDLESS DRILL-DRIVER** or when ordering repair parts.

PARTS LIST

KEY NO.	PART NUMBER	DESCRIPTION	QTY.
1	984702001	HOUSING ASSEMBLY	1
2	6620501	SCREW (M3 x 20 mm)	4
3	6375301	MOUNTING PLATE.....	1
4	6392201	DETENT RING	2
5	5434609	SPRING HOLDER.....	1
6	3801103	CLUTCH CAP	1
7	5501403	SLEEVE	1
8	6872401	SPRING	1
9	6710501	CLUTCH WASHER (0.8 mm).....	1
10	6722001	STEEL BALL.....	8
11	6843505	PIN.....	8
12	984701001	MOTOR W/GEAR TRAIN ASSEMBLY	1
13	2701299	SWITCH ASSEMBLY	1
14	3801303	FORWARD-REVERSE SELECTOR	1
15	3048003	REAR LEVEL	1
16	9002720	WRIST STRAP.....	1
17	6620805	SCREW (M4 x 16 mm)	7
18	660206042	SCREW (M3.5 x 16 mm)	1
19	6320601	BIT CLIP	2
	983000237	OPERATOR'S MANUAL	
	3-18-10		
	(REV:01)		