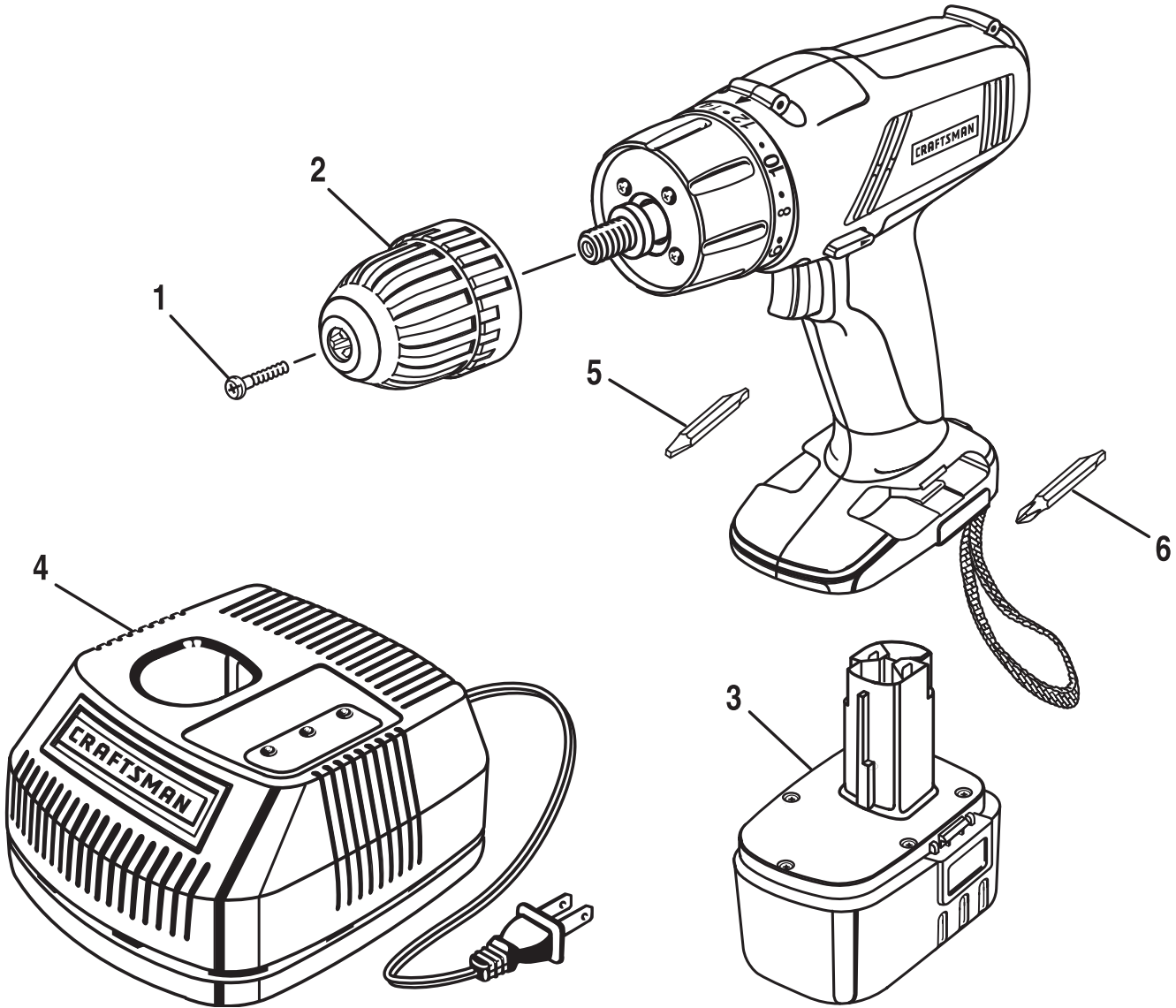


**CRAFTSMAN 10 mm (3/8 in.), 13.2 VOLT CORDLESS DRILL-DRIVER  
MODEL NUMBER 973.227020**

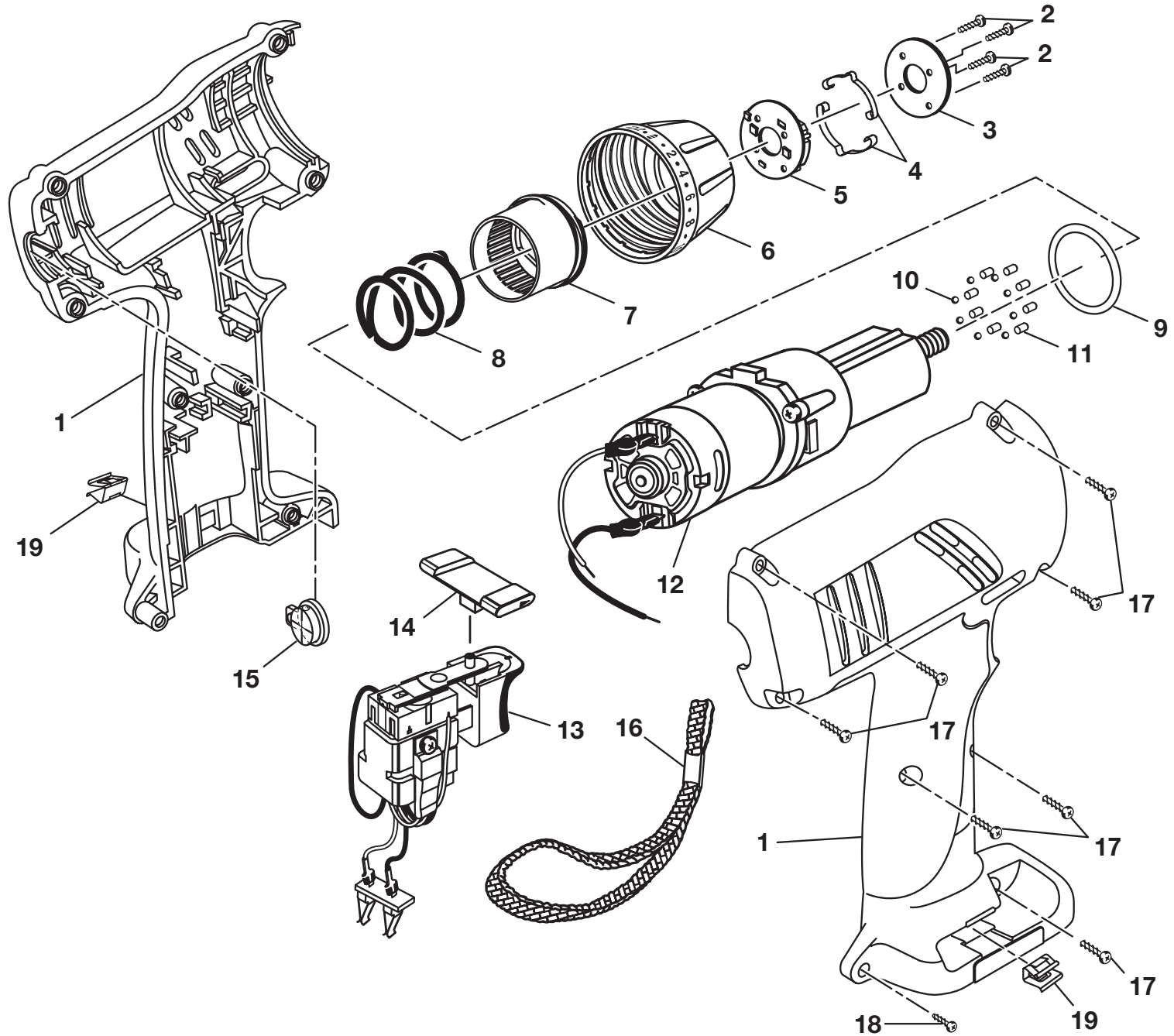
The model number will be found on a label attached to the motor housing. Always mention the model number in all correspondence regarding your **10 mm (3/8 in.), CORDLESS DRILL-DRIVER** or when ordering repair parts.



**PARTS LIST**

KEY NO.	PART NUMBER	DESCRIPTION	QTY.
1	6612001	SCREW (SPECIAL) .....	1
2	6903302	CHUCK .....	1
3	1323420	BATTERY PACK .....	1
4	1425302	CHARGER .....	1
5	6782206	BIT .....	1
6	6782037	BIT .....	1

CRAFTSMAN 10 mm (3/8 in.), 13.2 VOLT CORDLESS DRILL-DRIVER – MODEL NUMBER 973.227020



**CRAFTSMAN 10 mm (3/8 in.), 13.2 VOLT CORDLESS DRILL-DRIVER – MODEL NUMBER 973.227020**

The model number will be found on a label attached to the motor housing. Always mention the model number in all correspondence regarding your **10 mm (3/8 in.), CORDLESS DRILL-DRIVER** or when ordering repair parts.

**PARTS LIST**

<b>KEY NO.</b>	<b>PART NUMBER</b>	<b>DESCRIPTION</b>	<b>QTY.</b>
1	984702001	HOUSING ASSEMBLY .....	1
2	6620501	SCREW (M3 x 20 mm) .....	4
3	6375301	MOUNTING PLATE.....	1
4	6392201	DETENT RING .....	2
5	5434609	SPRING HOLDER.....	1
6	3801103	CLUTCH CAP .....	1
7	5501403	SLEEVE .....	1
8	6872401	SPRING .....	1
9	6710501	CLUTCH WASHER (0.8 mm).....	1
10	6722001	STEEL BALL.....	8
11	6843505	PIN.....	8
12	984701001	MOTOR W/GEAR TRAIN ASSEMBLY .....	1
13	2701299	SWITCH ASSEMBLY .....	1
14	3801303	FORWARD-REVERSE SELECTOR .....	1
15	3048003	REAR LEVEL .....	1
16	9002720	WRIST STRAP.....	1
17	6620805	SCREW (M4 x 16 mm) .....	7
18	660206042	SCREW (M3.5 x 16 mm) .....	1
19	6320601	BIT CLIP .....	2
	983000237	OPERATOR'S MANUAL	
	3-18-10		
	(REV:01)		