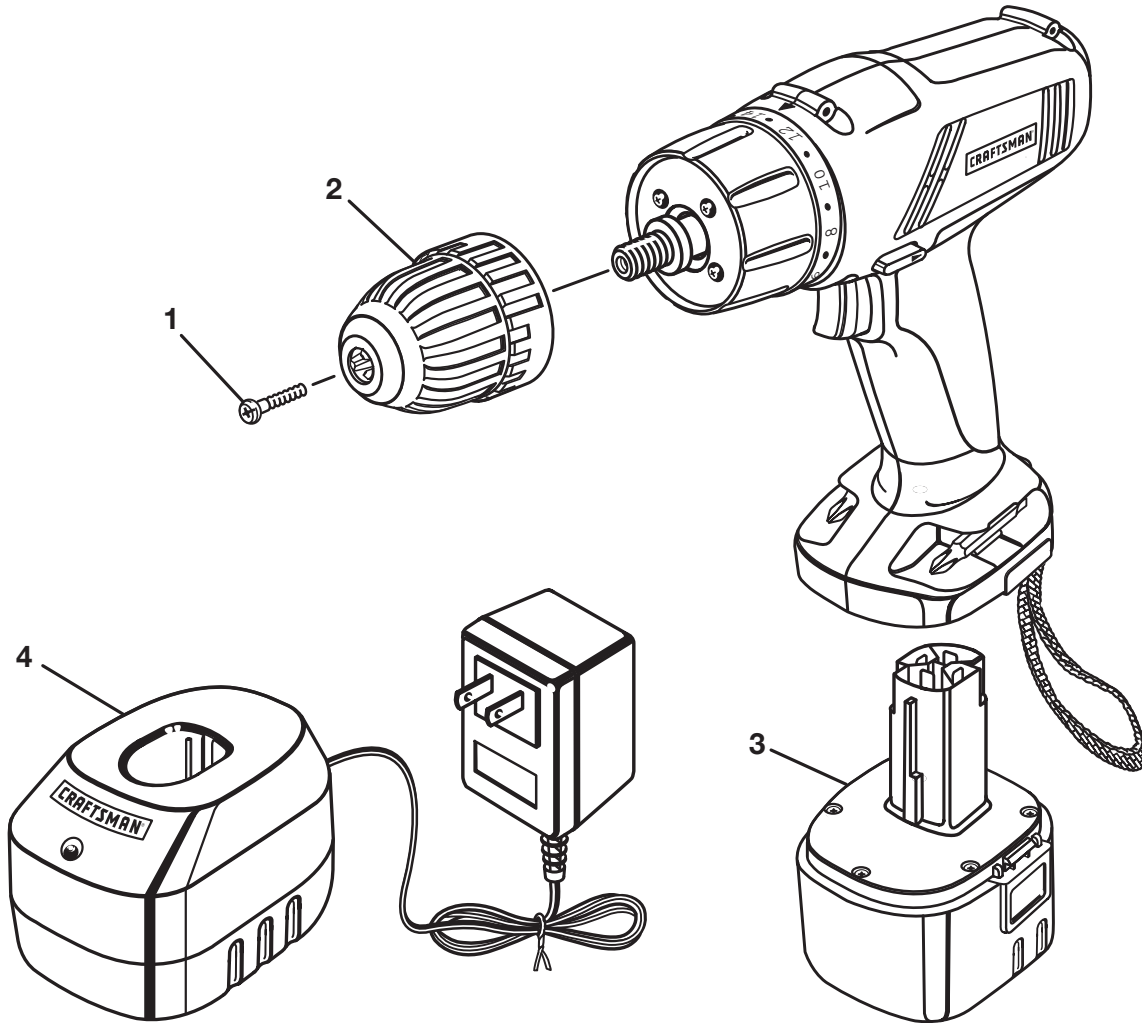


**CRAFTSMAN 10 mm (3/8 in.), 9.6 VOLT CORDLESS DRILL-DRIVER
MODEL NUMBER 973.225350**

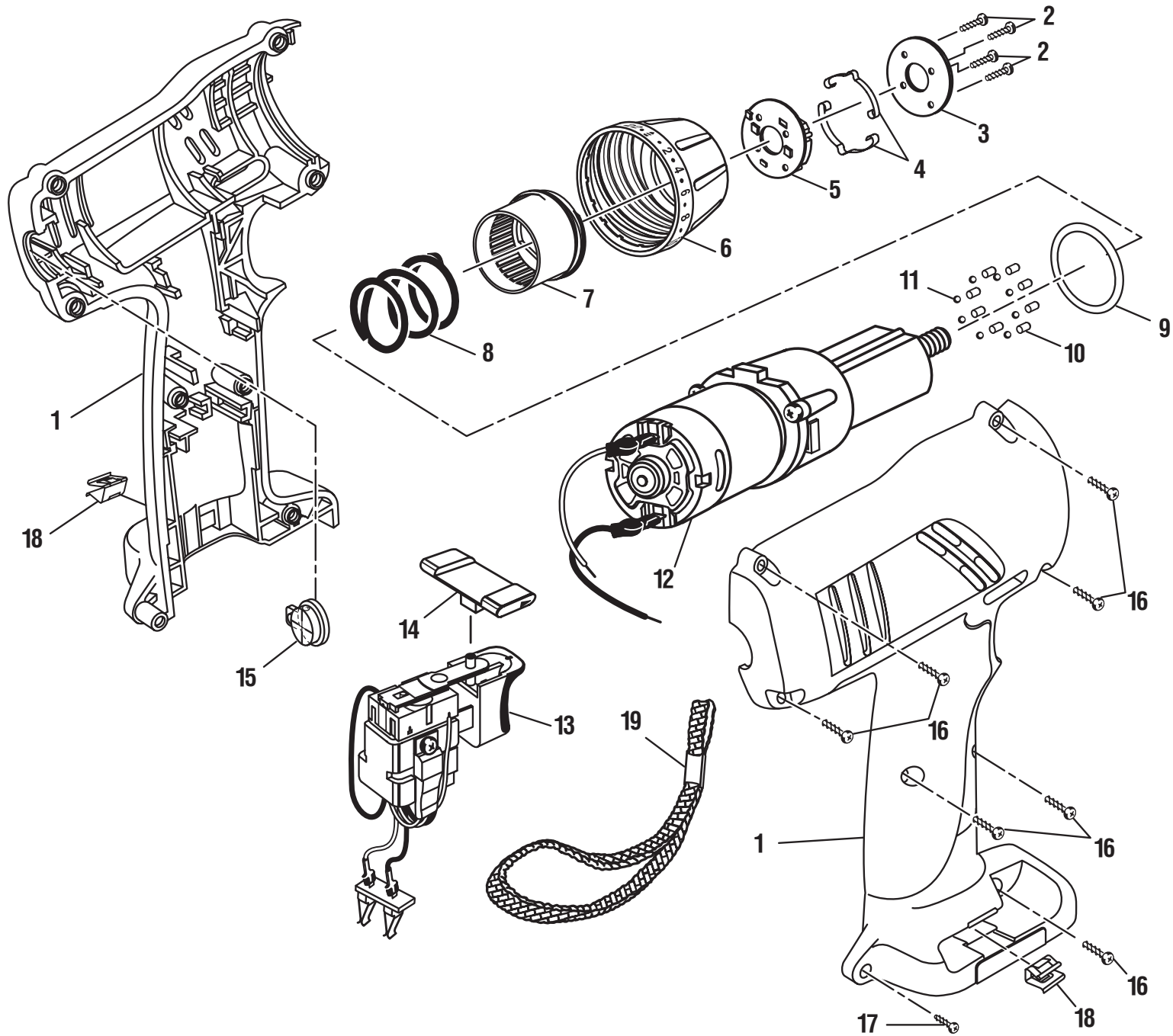
The model number will be found on a label attached to the motor housing. Always mention the model number in all correspondence regarding your **10 mm (3/8 in.), CORDLESS DRILL-DRIVER** or when ordering repair parts.



PARTS LIST

KEY NO.	PART NUMBER	DESCRIPTION	QTY.
1	616478003	SCREW (SPECIAL)	1
2	ITEM NO. 9-75188	CHUCK (6903303)	1
3	1323401	BATTERY PACK	1
4	1425001	CHARGER ASSEMBLY	1

CRAFTSMAN 10 mm (3/8 in.), 9.6 VOLT CORDLESS DRILL-DRIVER - MODEL NUMBER 973.225350



CRAFTSMAN 10 mm (3/8 in.), 9.6 VOLT CORDLESS DRILL-DRIVER - MODEL NUMBER 973.225350

The model number will be found on a label attached to the motor housing. Always mention the model number in all correspondence regarding your **10 mm (3/8 in.), CORDLESS DRILL-DRIVER** or when ordering repair parts.

PARTS LIST

KEY NO.	PART NUMBER	DESCRIPTION	QTY.
1	984126001	HOUSING ASSEMBLY	1
2	6620501	SCREW	4
3	6375301	CLUTCH RETAINER	1
4	6399201	DETENT CLIP	2
5	5434606	SPRING HOLDER.....	1
6	984127001	CLUTCH CAP ASSEMBLY (INCLUDES KEY NO. 7)	1
7	5501403	SLEEVE	1
8	6872401	TORQUE CONTROL SPRING	1
9	6710501	CLUTCH WASHER	1
10	6843505	PIN.....	8
11	6722001	STEEL BALL.....	8
12	984128001	MOTOR W/GEAR TRAIN AND CLUTCH.....	1
13	2701237	SWITCH ASSEMBLY	1
14	3801303	FOWARD-REVERSE SELECTOR	1
15	3048003	LEVEL	1
16	6620805	SCREW (M4 x 16 mm).....	7
17	660206042	SCREW (M3.5 x 16 mm).....	1
18	6320601	BIT CLIP	2
19	9002720	WRIST STRAP	1
	972000963	OPERATOR'S MANUAL	
	2-11-10		
	(REV:02)		