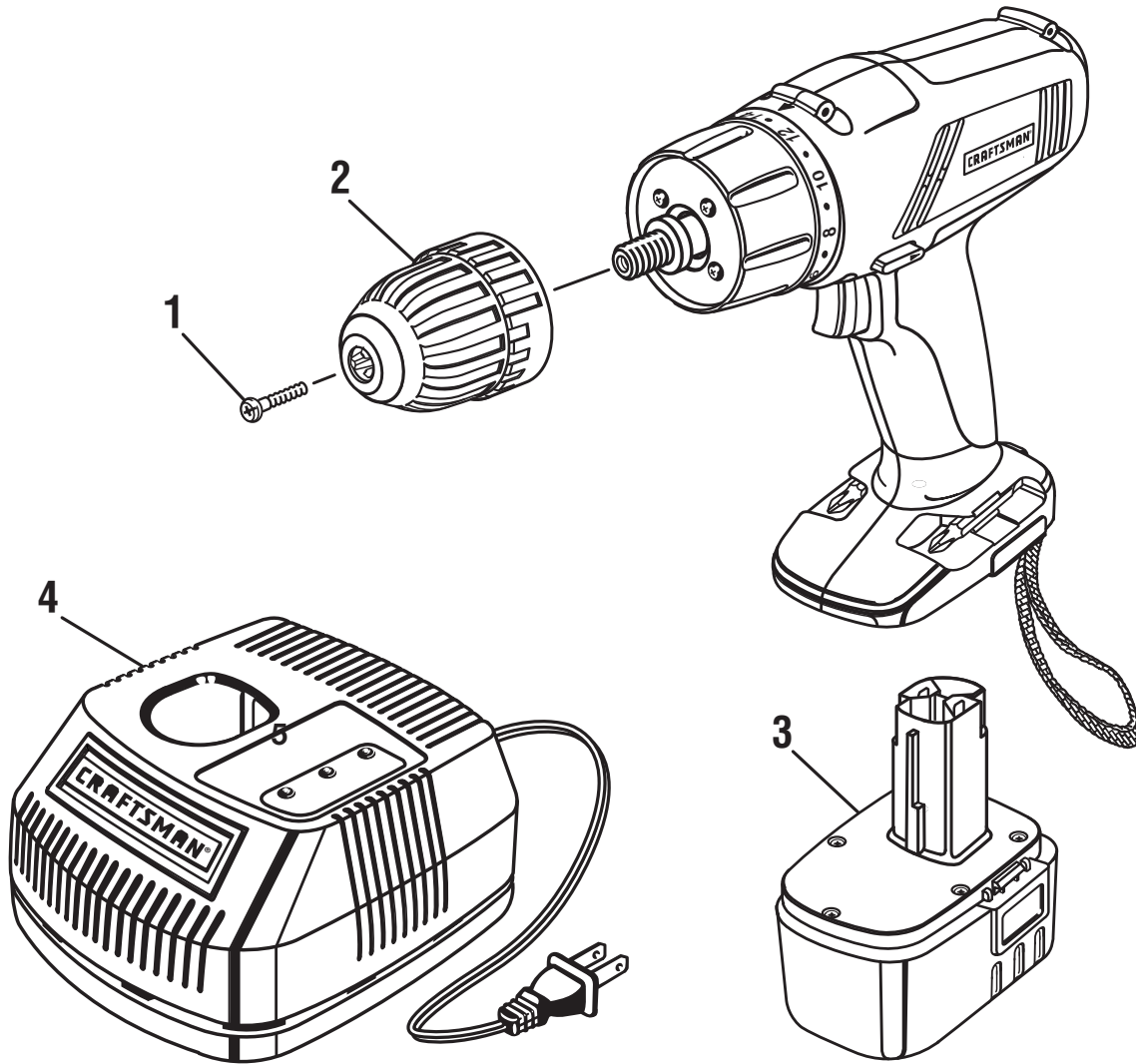


**CRAFTSMAN 10 mm (3/8 in.), 14.4 VOLT CORDLESS DRILL-DRIVER  
MODEL NUMBER 973.222760**

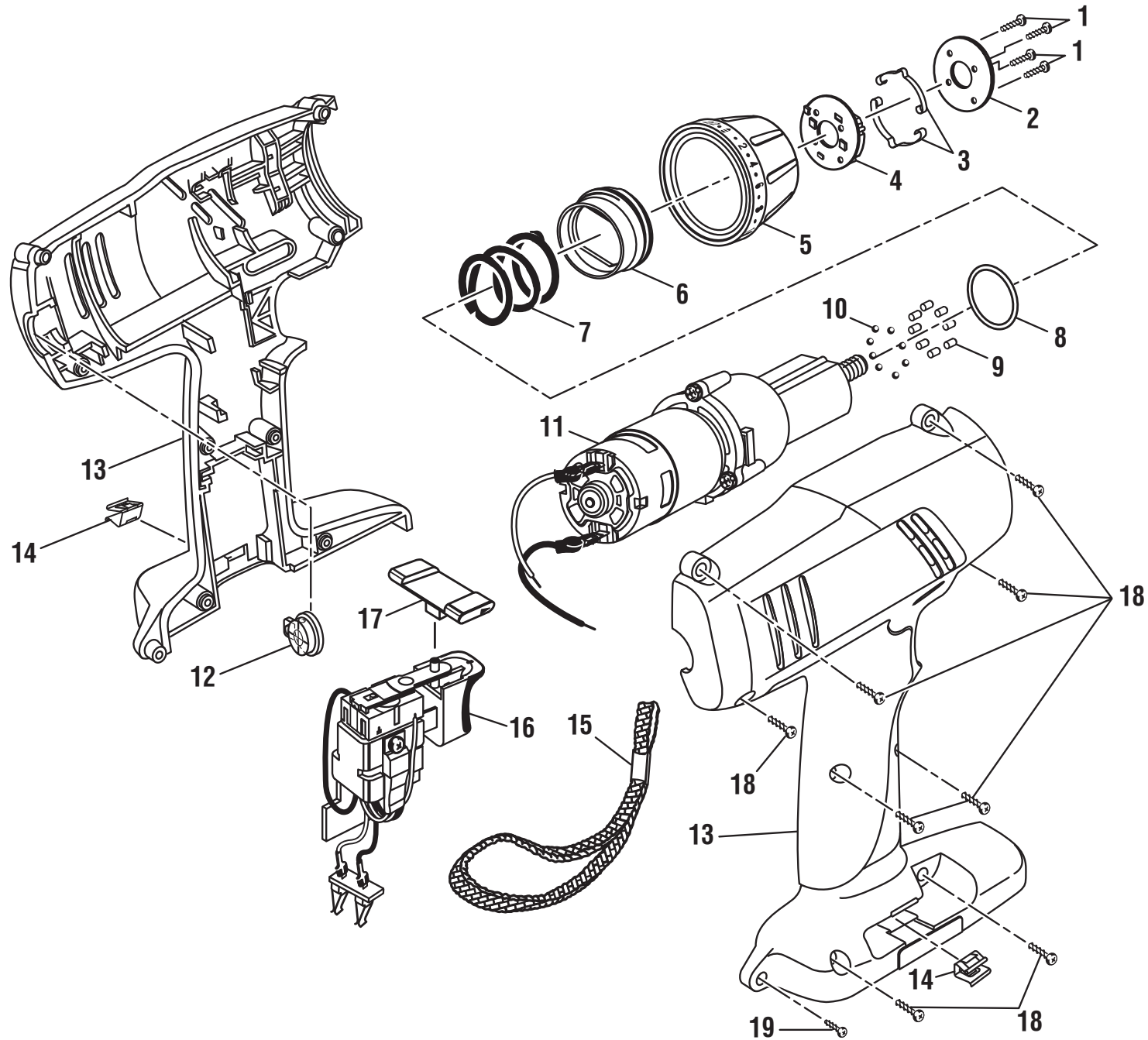
The model number will be found on a label attached to the motor housing. Always mention the model number in all correspondence regarding your **10 mm (3/8 in.), CORDLESS DRILL-DRIVER** or when ordering repair parts.



**PARTS LIST**

KEY NO.	PART NUMBER	DESCRIPTION	QTY.
1	616478003	SCREW (SPECIAL) .....	1
2	ITEM NO. 9-75188	CHUCK (6903326) .....	1
3	1323415	BATTERY PACK .....	1
4	140155004	CHARGER .....	1
5	9067302	CARRYING CASE (NOT SHOWN) .....	1

CRAFTSMAN 10 mm (3/8 in.), 14.4 VOLT CORDLESS DRILL-DRIVER - MODEL NUMBER 973.222760



**CRAFTSMAN 10 mm (3/8 in.), 14.4 VOLT CORDLESS DRILL-DRIVER - MODEL NUMBER 973.222760**

The model number will be found on a label attached to the motor housing. Always mention the model number in all correspondence regarding your **10 mm (3/8 in.), CORDLESS DRILL-DRIVER** or when ordering repair parts.

**PARTS LIST**

<b>KEY NO.</b>	<b>PART NUMBER</b>	<b>DESCRIPTION</b>	<b>QTY.</b>
1	6620501	SCREW.....	4
2	6375301	CLUTCH RETAINER .....	1
3	6392201	SPRING PLATE.....	2
4	5434609	SPRING HOLDER.....	1
5	3801105	CLUTCH CAP .....	1
6	5501403	SLEEVE .....	1
7	6872401	SPRING .....	1
8	6710501	CLUTCH WASHER.....	1
9	6843505	CLUTCH PIN .....	8
10	6722001	BALL.....	8
11	983762001	MOTOR AND GEAR TRAIN ASSEMBLY .....	1
12	3048003	REAR LEVEL ASSEMBLY .....	1
13	983761001	HOUSING ASSEMBLY .....	1
14	630206007	BIT CLIP .....	2
15	9002720	LANYARD .....	1
16	2701252	SWITCH ASSEMBLY .....	1
17	3801303	FOWARD-REVERSE SELECTOR .....	1
18	6620805	SCREW (M4 x 16 mm).....	8
19	660206042	SCREW (M3.5 x 16 mm).....	1
	983000071	OPERATOR'S MANUAL .....	1
	3-4-13		
	(REV:03)		