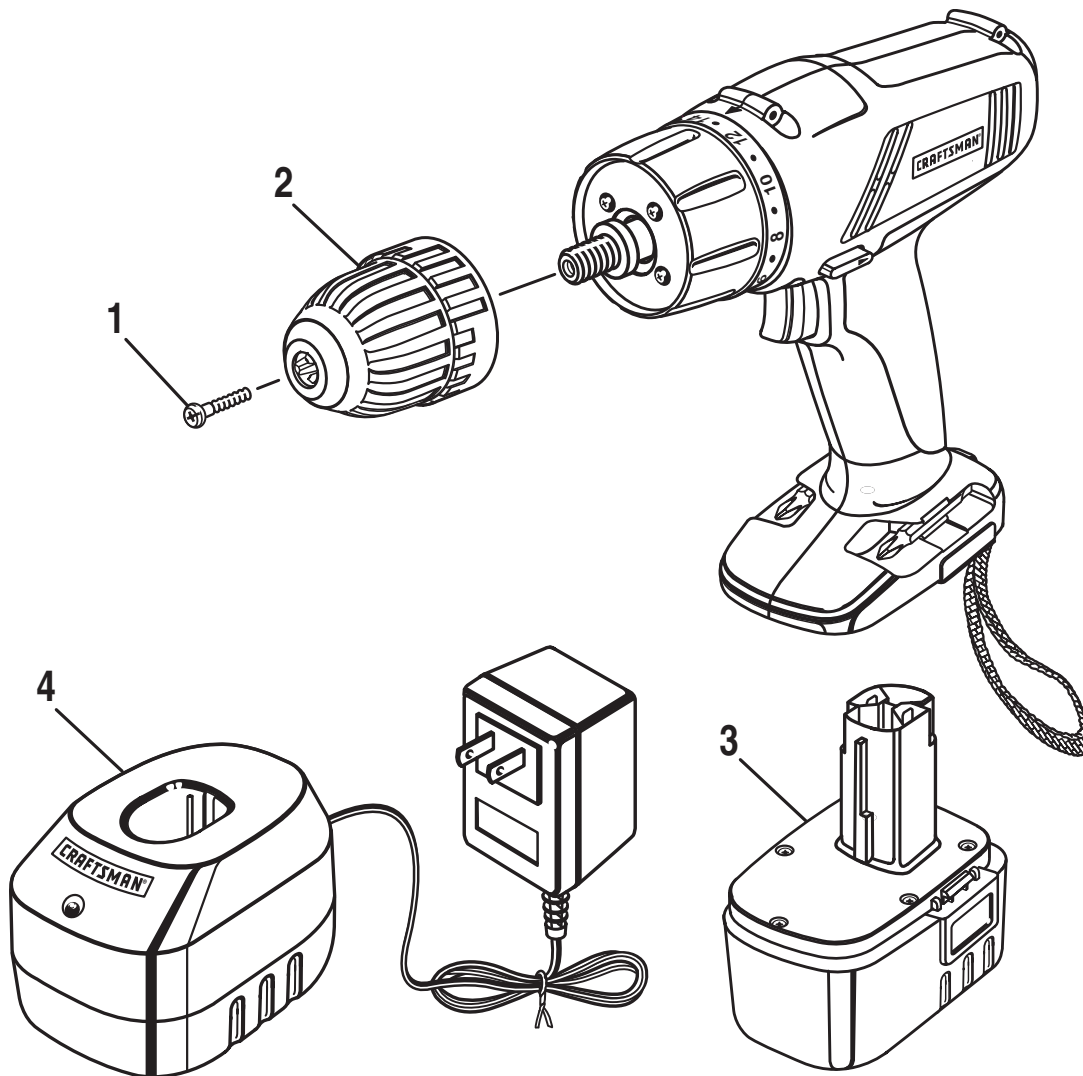


**CRAFTSMAN 3/8 in. 14.4 VOLT CORDLESS DRILL-DRIVER
MODEL NUMBER 973.114130**

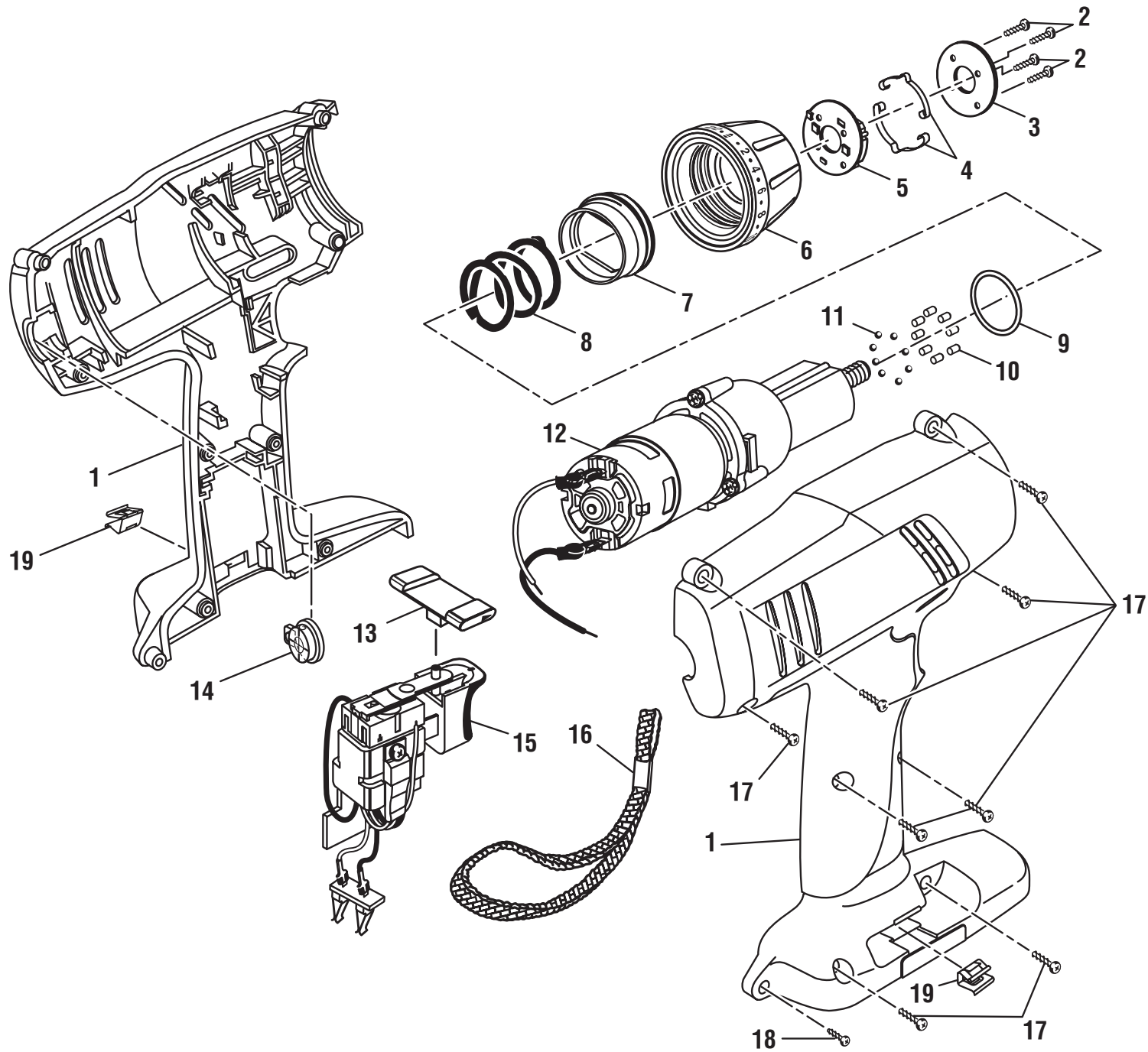
The model number will be found on a label attached to the motor housing. Always mention the model number in all correspondence regarding your **3/8 in. CORDLESS DRILL-DRIVER** or when ordering repair parts.



PARTS LIST

KEY NO.	PART NUMBER	DESCRIPTION	QTY.
1	616478003	SCREW (SPECIAL)	1
2	6903326	CHUCK (ITEM NO. <u>9</u> 20988)	1
3	1323407	BATTERY PACK (ITEM NO, <u>9</u> 11007)	1
4	1425005	CHARGER (ITEM NO, <u>9</u> 11006).....	1
5	900211029	NYLON BAG - NOT SHOWN.....	1

CRAFTSMAN 3/8 in. 14.4 VOLT CORDLESS DRILL- DRIVER MODEL NO. 973.114130



CRAFTSMAN 3/8 in. 14.4 VOLT CORDLESS DRILL- DRIVER MODEL NO. 973.114130

The model number will be found on a label attached to the motor housing. Always mention the model number in all correspondence regarding your **3/8 in. CORDLESS DRILL-DRIVER** or when ordering repair parts.

PARTS LIST

KEY NO.	PART NUMBER	DESCRIPTION	QTY.
1	983808001	HOUSING ASSEMBLY	1
2	6620501	SCREW (M3 x 20 mm).....	4
3	6375301	CLUTCH RETAINER	1
4	6392201	DETENT RING	2
5	5434609	SPRING HOLDER.....	1
6	984699001	CLUTCH CAP ASSEMBLY	1
7	5501403	SLEEVE.....	1
8	6872401	SPRING	1
9	6710501	CLUTCH WASHER	1
10	6843505	PIN.....	8
11	6722001	BALL BEARING	8
12	983809001	MOTOR AND GEAR TRAIN ASSEMBLY	1
13	3801303	FOWARD/REVERSE SELECTOR	1
14	3048003	REAR LEVEL.....	1
15	2701252	SWITCH ASSEMBLY	1
16	9002720	WRIST STRAP	1
17	6620805	SCREW (M4 x 16 mm).....	8
18	660206042	SCREW (M3.5 x 16 mm).....	1
19	630206007	BIT CLIP	2
	983000050	OPERATOR'S MANUAL	
	2-26-13		
	(Rev:03)		