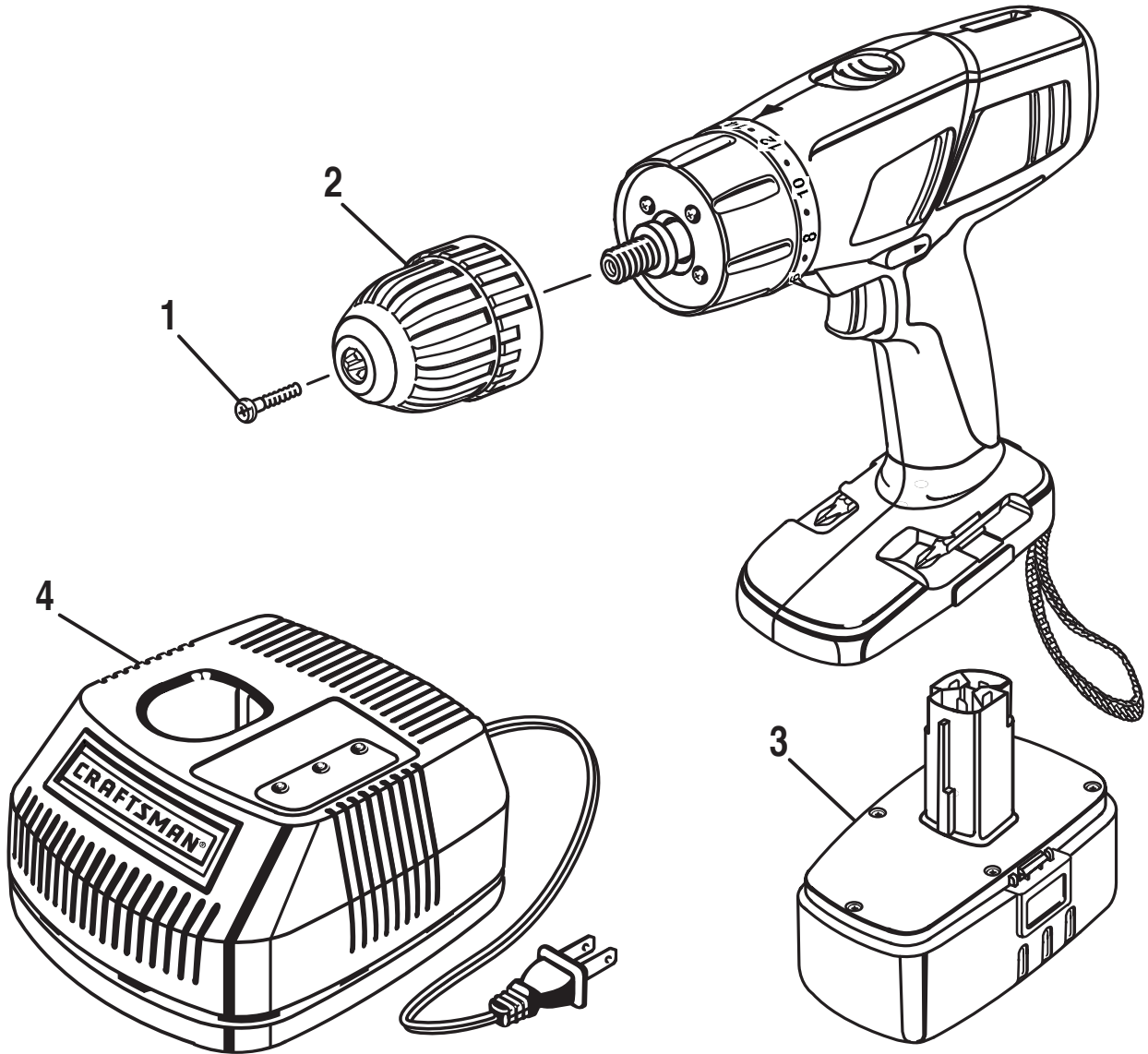


The model number will be found on a plate attached to the motor housing. Always mention the model number in all correspondence regarding your 3/8 in., 19.2 VOLT CORDL SS DRILL-DRIV R or when ordering repair parts.

S BACK PAG FOR PARTS ORD RING INSTRUCTIONS



### PARTS LIST

Key No.	Part Number	Description	Quantity
1	616478-003	Screw (Special) .....	1
2	6903304	Chuck .....	1
3	*Item No. <u>9</u> 11375	Battery Pack (1310715) .....	1
4	*Item No. <u>9</u> 11041	Charger (1425301) .....	1
5	3063626	11315 Combo Kit Carrying Case – Not Shown .....	1
	9021110	11348 Combo Kit Tool Bag – Not Shown .....	1
	983000-001	Operator's Manual	

\* Can Be Purchased Thru RSOS (Retail Special Order System)