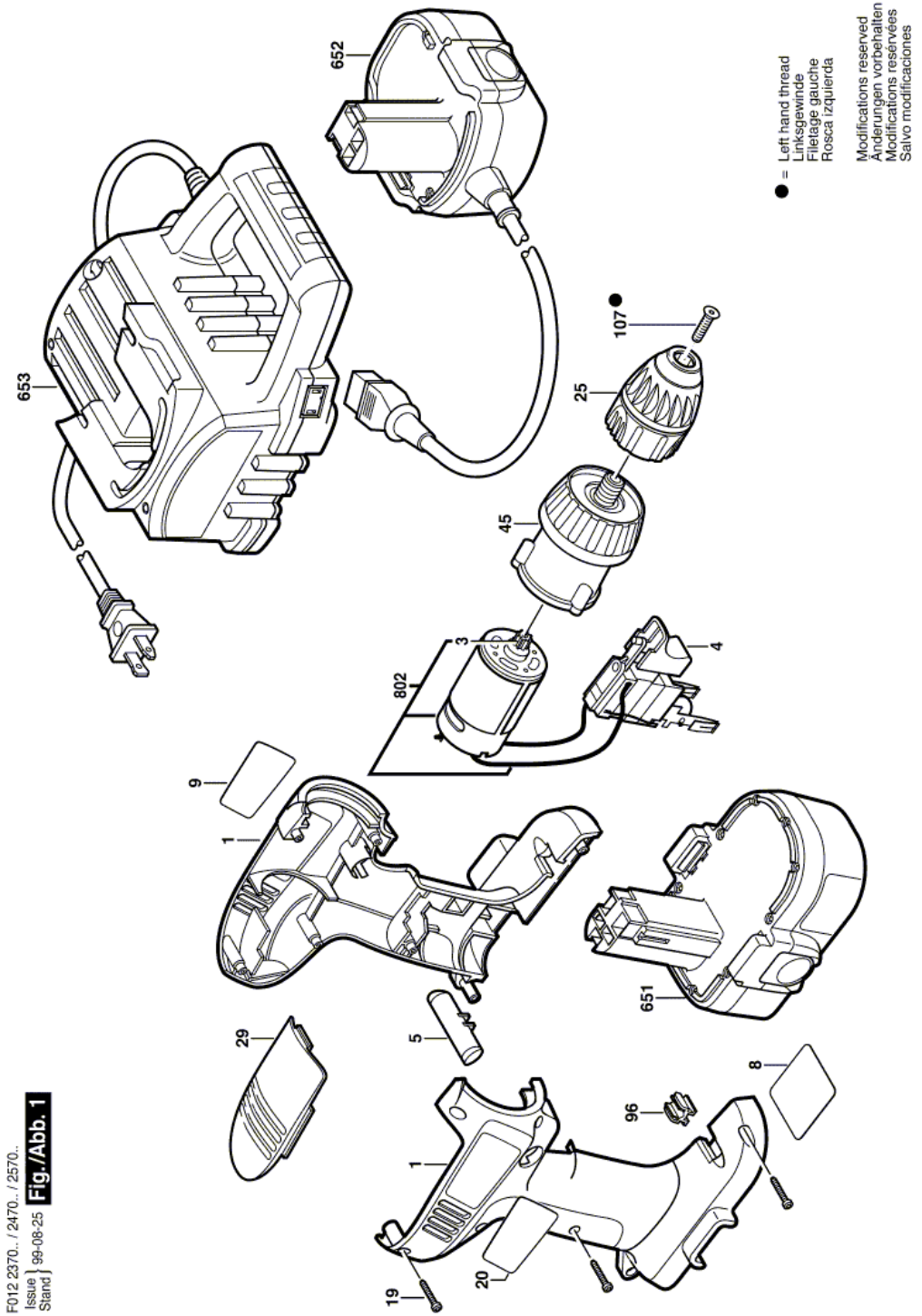


## Cordless Screwdriver - F 012 237 000 - 96 VXT

Item	Part Number	Description	Illustration	Price	Quantity	Price Group
1	2 610 997 741	Housing Section	1	-,-	1	-
3	2 610 967 133	Pinion	1	-,-	1	11
4	2 607 200 429	On-Off Switch	1	-,-	1	31
5	2 610 997 745	Reverse-Transfer Lever	1	-,-	1	-
8	2 610 998 858	Nameplate	1	-,-	1	-
9	2 610 997 847	Label	1	-,-	1	-
19	2 610 909 719	Screw BLACK	1	-,-	7	11
20	2 610 997 846	Warning Plate	1	-,-	1	-
25	2 610 993 339	Keyless Chuck	1	-,-	1	-
29	2 610 997 746	Housing Cover	1	-,-	1	-
45	2 610 913 459	Gear Box	1	-,-	1	-
96	2 610 911 815	Bit holder	1	-,-	1	-
107	2 609 110 721	Countersunk-Head Screw M5x20	1	-,-	1	11
651	2 607 335 333	Battery Pack 9,6V, 1,0Ah, NiCd	1	-,-	1	36
652	2 610 998 245	Adapter	1	-,-	1	-
653	2 610 998 216	Charging Transformer USA 120/9.6V, 3h	1	-,-	1	-
802	2 610 998 224	Motor 12V	1	-,-	1	-

Illustration - Type E



F012 2370... / 2470... / 2570...  
 Issue | 99-08-25 **Fig./Abb. 1**  
 Stand

Information subject to change without further notice.