



SUSPENSION SEAT KIT

Seat fits model numbers: 968999159, 160, 161, 162, 163, 165, 166, 171, 173

Suspension Seat Kit - 539105211

1. Remove old seat. Loosen the 4 nuts under the seat. Unhook the wiring harness from the seat harness.
2. Remove the seat latch from the machine. It cannot be used with the suspension seat. The seat latch is located at the left rear corner of the seat attached to the main frame of the machine. See figure 1.
3. Install the arm rests to the new seat they should be packaged separately in the box with the new seat.
4. Install the new seat to the seat frame and tighten hardware.
5. Connect the seat harness to the main wiring harness and wire tie to the seat frame if desired.

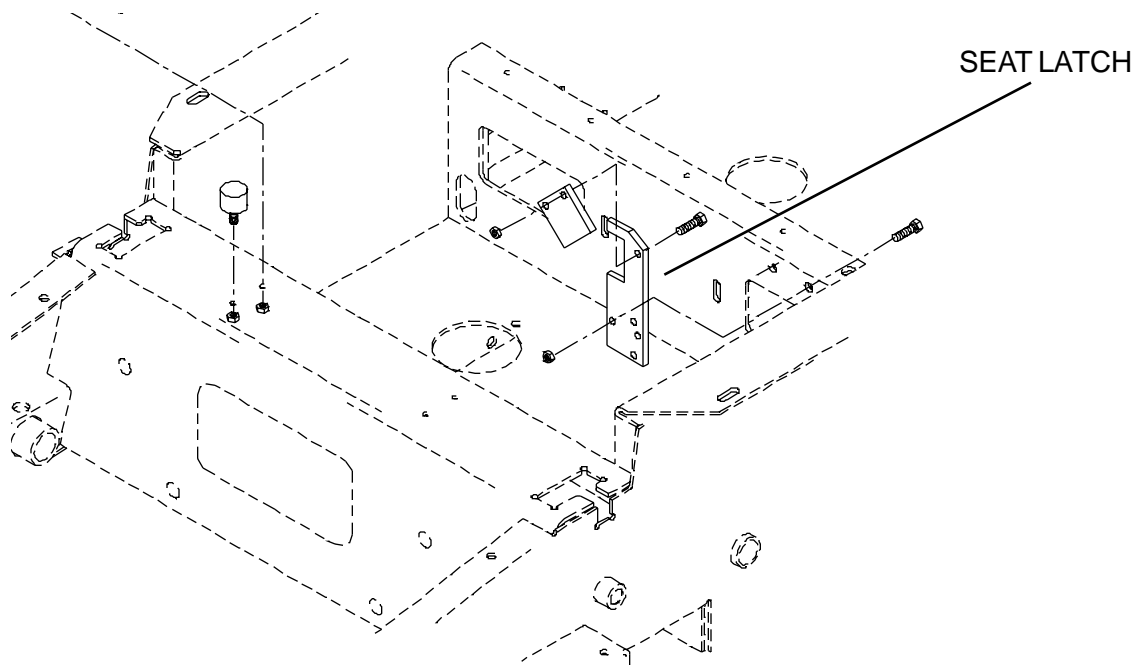
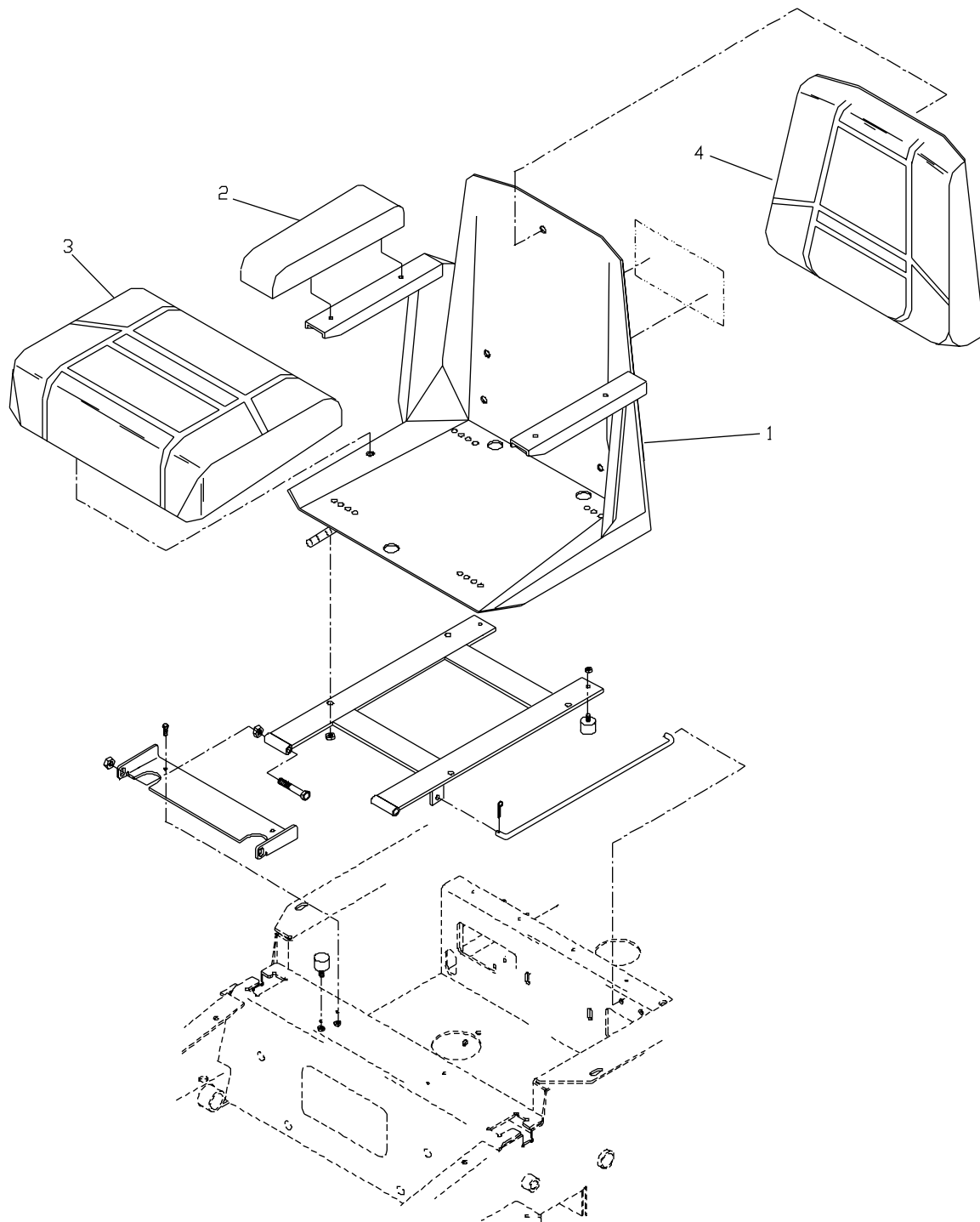


FIGURE 1

SUSPENSION SEAT ASSEMBLY



ITEM PART NO. QTY. DESCRIPTION

1	539105254	1	SEAT, COMPLETE
2	539105539	2	ARM REST
3	539105541	1	SEAT CUSHION
4	539105540	1	BACK CUSHION
5	539105542	1	SWITCH, SEAT
6	539105544	2	SEAT RAILS
7	539105545	1	SEAT HARNESS