

SERVICE PARTS LIST

BULLETIN NO.
54-02-1251

SPECIFY CATALOG NO. AND SERIAL NO. WHEN ORDERING PARTS		REVISED BULLETIN	DATE
5 TON TROLLEY			Dec. '96
CATALOG NO.	9666	WIRING INSTRUCTION	
	DATE CODE	197	

EXAMPLE:
Component Parts (Small #) Are Included
When Ordering The Assembly (Large #).

00
0

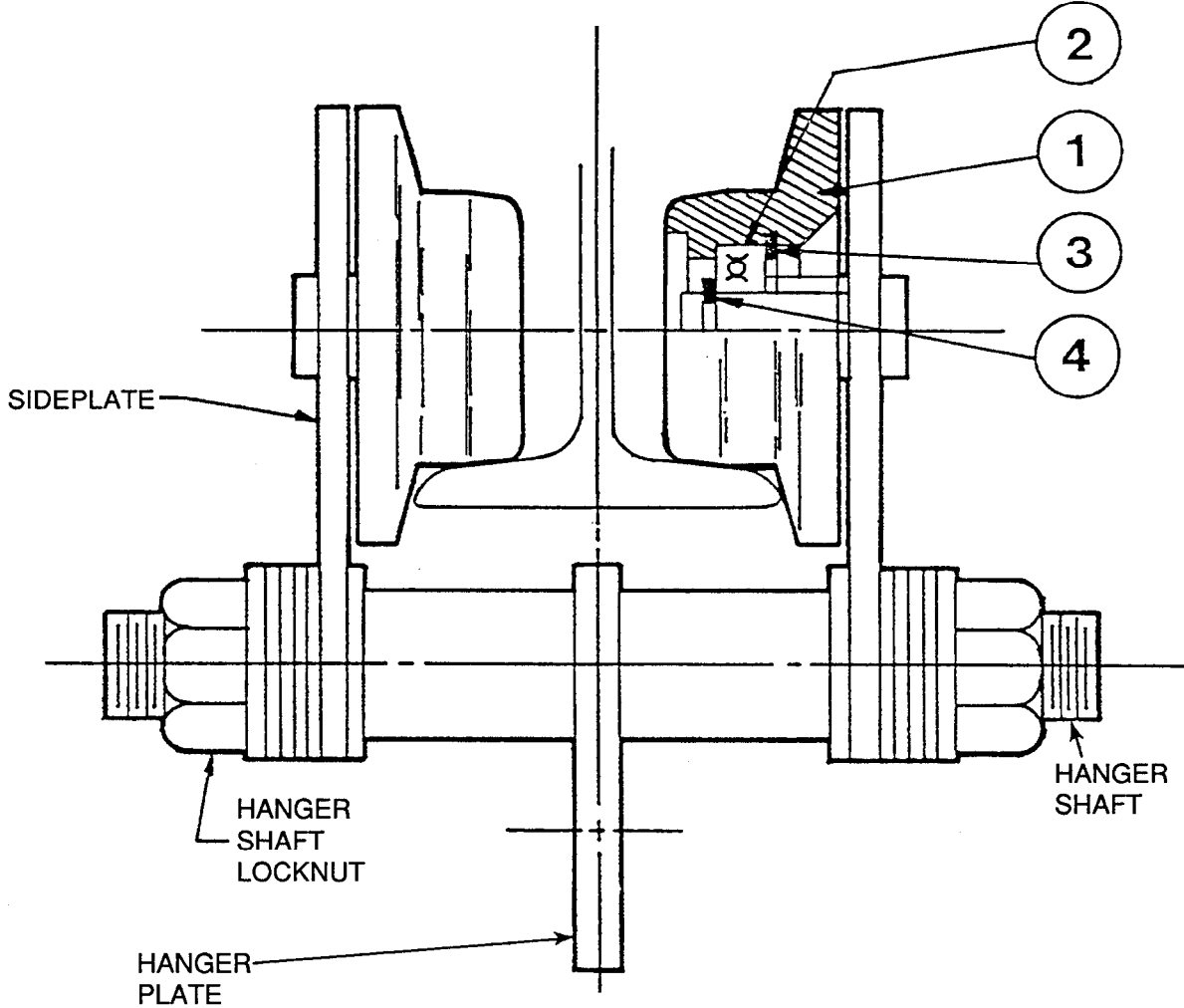


FIG.	PART NO.	DESCRIPTION OF PART	NO. REQ.
1	45-94-0280	Wheel	(4)
2	02-04-2800	Ball Bearing	(4)
3	34-80-4200	Retaining Ring	(4)
4	34-60-2160	Retaining Ring	(4)