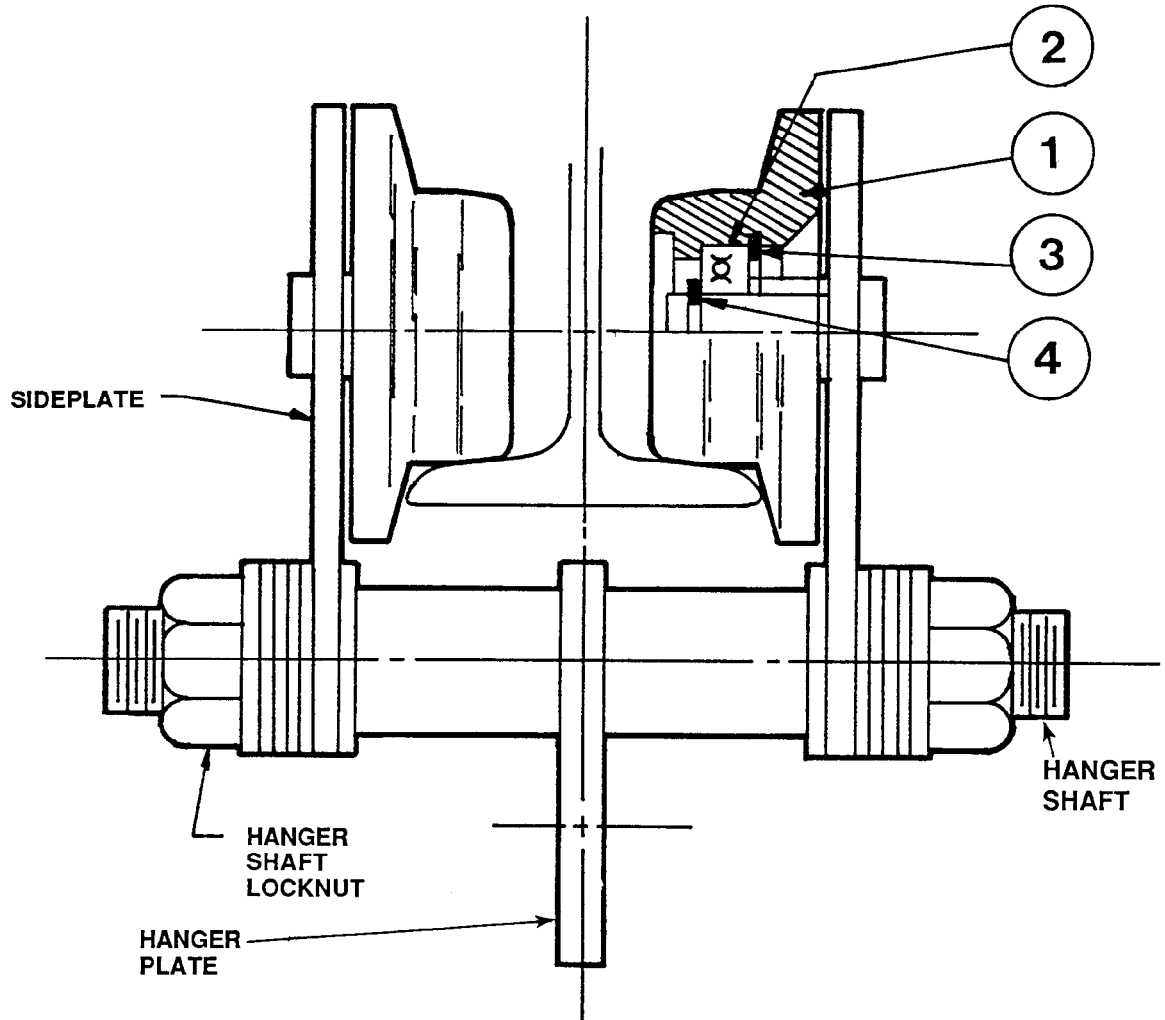




SERVICE PARTS LIST

BULLETIN NO.
54-02-1250

| | | | |
|--|---------------|--------------------|----------|
| SPECIFY CATALOG NO. AND SERIAL NO. WHEN ORDERING PARTS | | REVISED BULLETIN | DATE |
| 5 TON TROLLEY | | | Sept.'87 |
| CATALOG NO. 9665 | DATE CODE 486 | WIRING INSTRUCTION | |



| FIG. | PART NO. | DESCRIPTION OF PART | QTY. |
|------|------------|---------------------|------|
| 1 | 45-94-0280 | Wheel | (4) |
| 2 | 02-04-2800 | Ball Bearing | (4) |
| 3 | 34-80-4200 | Retaining Ring | (4) |
| 4 | 34-60-2160 | Retaining Ring | (4) |