



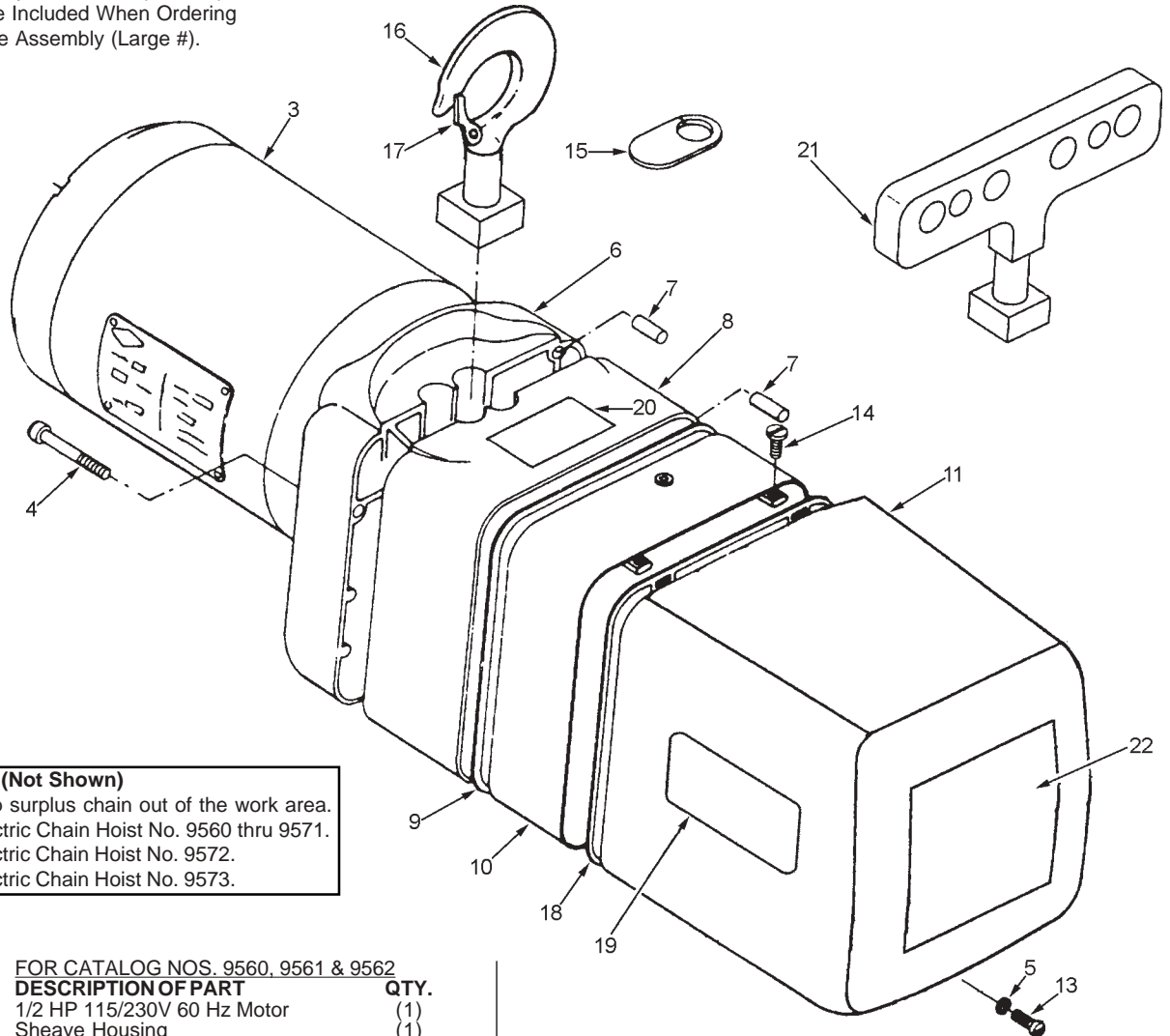
# SERVICE PARTS LIST

|  |  |  |            |
|--|--|--|------------|
| SPECIFY CATALOG NO. AND SERIAL NO. WHEN ORDERING PARTS |  | REVISED BULLETIN                           | DATE       |
| <b>ELECTRIC CHAIN HOISTS</b>                           |  |  | May 2005   |
| CAT. NOS.  | 9560, 9561, 9562, 9565, 9566, 9567, 9568, 9570, 9571, 9572, 9573 | DATE CODE                                  | <b>598</b> |
|  |  | WIRING INSTRUCTION<br><b>See back page</b> |            |

**EXAMPLE:**

00/0

Component Parts (Small #)  
Are Included When Ordering  
The Assembly (Large #).

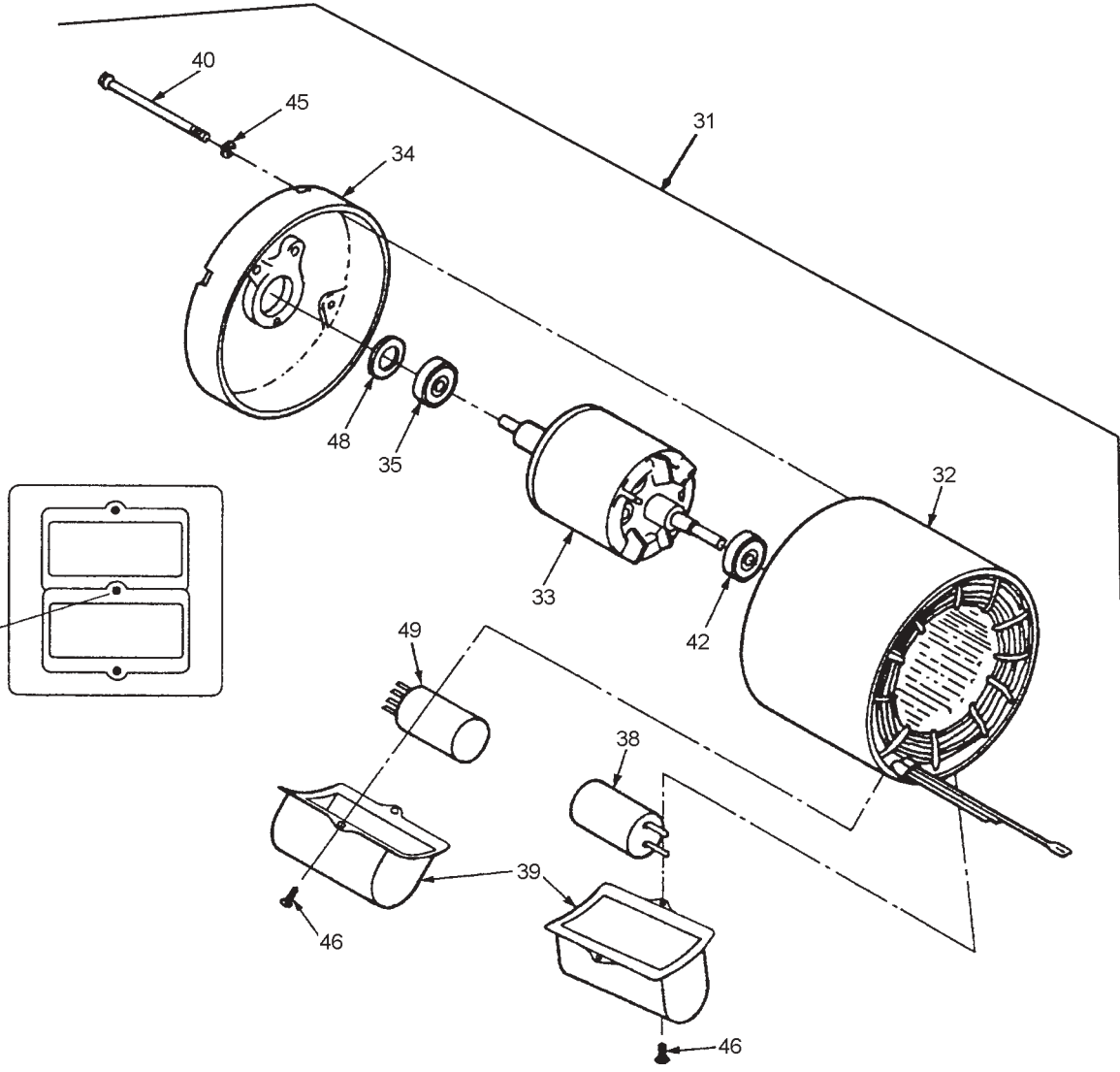


**CHAIN CONTAINERS (Not Shown)**  
Recommended to keep surplus chain out of the work area.  
**48-12-0111** For Electric Chain Hoist No. 9560 thru 9571.  
**48-12-0112** For Electric Chain Hoist No. 9572.  
**48-12-0113** For Electric Chain Hoist No. 9573.

| FIG.  | PART NO.   | DESCRIPTION OF PART         | QTY. |
|---|------------|-----------------------------|------|
| <b>FOR CATALOG NOS. 9560, 9561 &amp; 9562</b> |            |                             |      |
| 3   | 23-30-0210 | 1/2 HP 115/230V 60 Hz Motor | (1)  |
| 6   | 43-76-0470 | Sheave Housing              | (1)  |
| 8   | 43-76-0480 | Gear Housing                | (1)  |
| 22  | 10-37-0040 | Capacity Label              | (1)  |
| <b>FOR CATALOG NOS. 9565, 9567 &amp; 9568</b> |            |                             |      |
| 3   | 23-30-0220 | 1 HP 115/230V 60 Hz Motor   | (1)  |
| 6   | 43-76-0510 | Sheave Housing              | (1)  |
| 8   | 43-76-0490 | Gear Housing                | (1)  |
| 22  | 10-37-0050 | Capacity Label              | (1)  |
| <b>FOR CATALOG NO. 9566</b>                   |            |                             |      |
| 3   | 23-30-0230 | 1 HP 230/460V 3 Phase Motor | (1)  |
| 6   | 43-76-0510 | Sheave Housing              | (1)  |
| 8   | 43-76-0490 | Gear Housing                | (1)  |
| 22  | 10-37-0050 | Capacity Label              | (1)  |
| <b>FOR CATALOG NOS. 9570, 9572 &amp; 9573</b> |            |                             |      |
| 3   | 23-30-0220 | 1 HP 115/230V 60 Hz Motor   | (1)  |
| 6   | 43-76-0510 | Sheave Housing              | (1)  |
| 8   | 43-76-0490 | Gear Housing                | (1)  |
| 22  | 10-37-0060 | Capacity Label              | (1)  |
| <b>FOR CATALOG NO. 9571</b>                   |            |                             |      |
| 3   | 23-30-0230 | 1 HP 230/460V 3 Phase Motor | (1)  |
| 6   | 43-76-0510 | Sheave Housing              | (1)  |
| 8   | 43-76-0490 | Gear Housing                | (1)  |
| 22  | 10-37-0060 | Capacity Label              | (1)  |

| FIG. | PART NO.   | DESCRIPTION OF PART            | QTY. |
|------|------------|--------------------------------|------|
| 4    | 06-95-5710 | Washer Head Hex Screw          | (4)  |
| 5    | 06-97-4000 | 1/4" Split Ring Lockwasher     | (1)  |
| 7    | 06-65-3515 | 1/4" x 3/4" Dowel Pin          | (2)  |
| 9    | 43-44-0820 | Gear Case Gasket               | (1)  |
| 10   | 42-92-0665 | Gear Box Cover                 | (1)  |
| 11   | 22-68-0225 | Cover - Electrical             | (1)  |
| 13   | 06-81-0080 | Cover Screw                    | (1)  |
| 14   | 06-95-0338 | 10-24 x 1/2" Pan Hd. Tap screw | (2)  |
| 15   | 42-92-1340 | Hook Hole Cover                | (1)  |
| 16   | 14-36-0140 | Hook Assembly w/Latch          | (1)  |
| 17   | 14-47-0145 | Latch Kit                      | (1)  |
| 18   | 43-44-0830 | Cover Gasket                   | (1)  |
| 19   | 10-37-0070 | Milwaukee Label                | (2)  |
| 20   | 10-98-6590 | Warning Label                  | (1)  |
| 21   | 43-92-5084 | Lug Assembly (Includes #15)    | (1)  |

**NOTE:**  
 Capacitor  
 Covers (39)  
 share common  
 center hole and  
 screw (46)



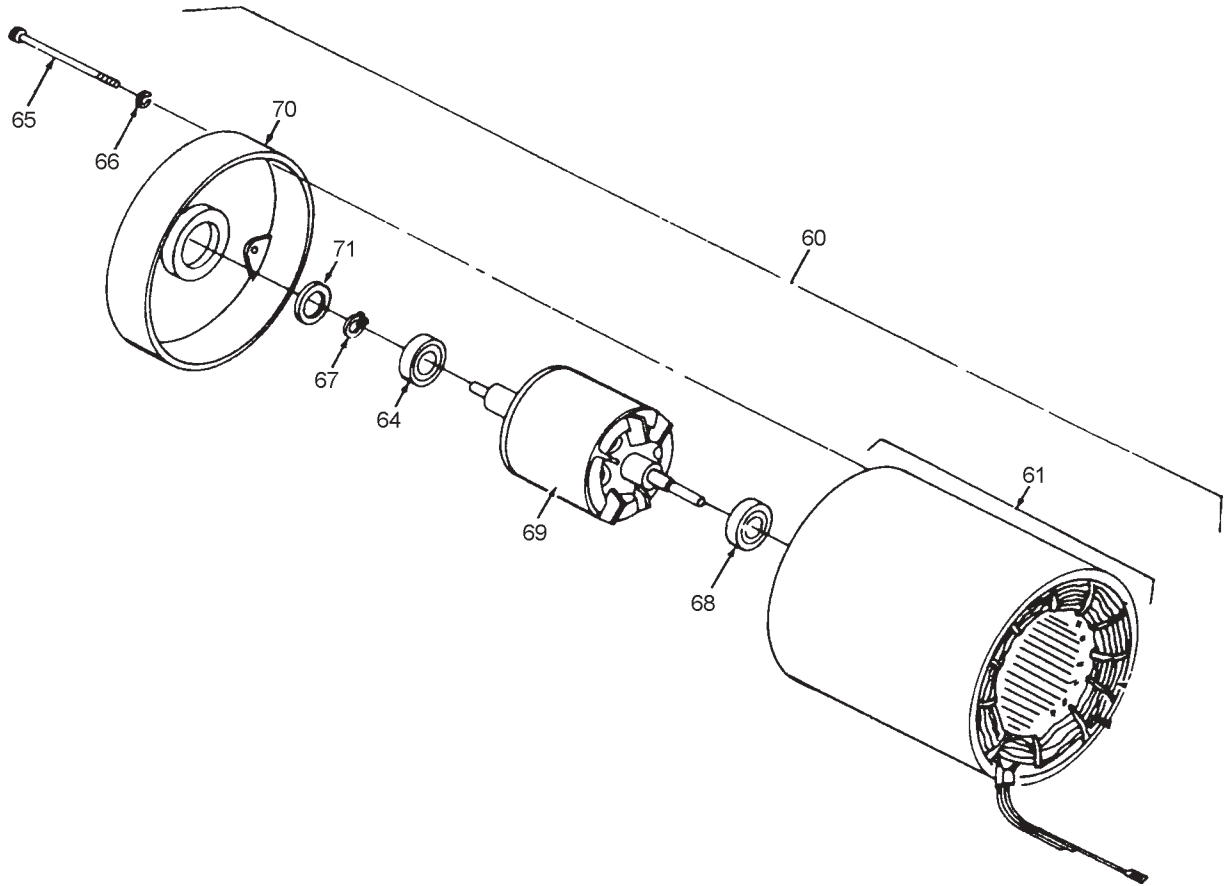
| FIG. | PART NO.   | DESCRIPTION OF PART | QTY. |
|------|------------|---------------------|------|
| 32   | -----      | Not Available       | ---  |
| 33   | -----      | Not Available       | ---  |
| 34   | -----      | Not Available       | ---  |
| 35   | -----      | Not Available       | ---  |
| 38   | -----      | Not Available       | ---  |
| 39   | -----      | Not Available       | ---  |
| 40   | -----      | Not Available       | ---  |
| 42   | -----      | Not Available       | ---  |
| 45   | -----      | Not Available       | ---  |
| 46   | -----      | Not Available       | ---  |
| 48   | -----      | Not Available       | ---  |
| 49   | 23-66-2505 | Sinpac Switch       | (1)  |

FOR CATALOG NOS. 9560, 9561 & 9562

|    |            |                             |     |
|----|------------|-----------------------------|-----|
| 31 | 23-30-0210 | 1/2 HP 115/230V 60 Hz Motor | (1) |
|----|------------|-----------------------------|-----|

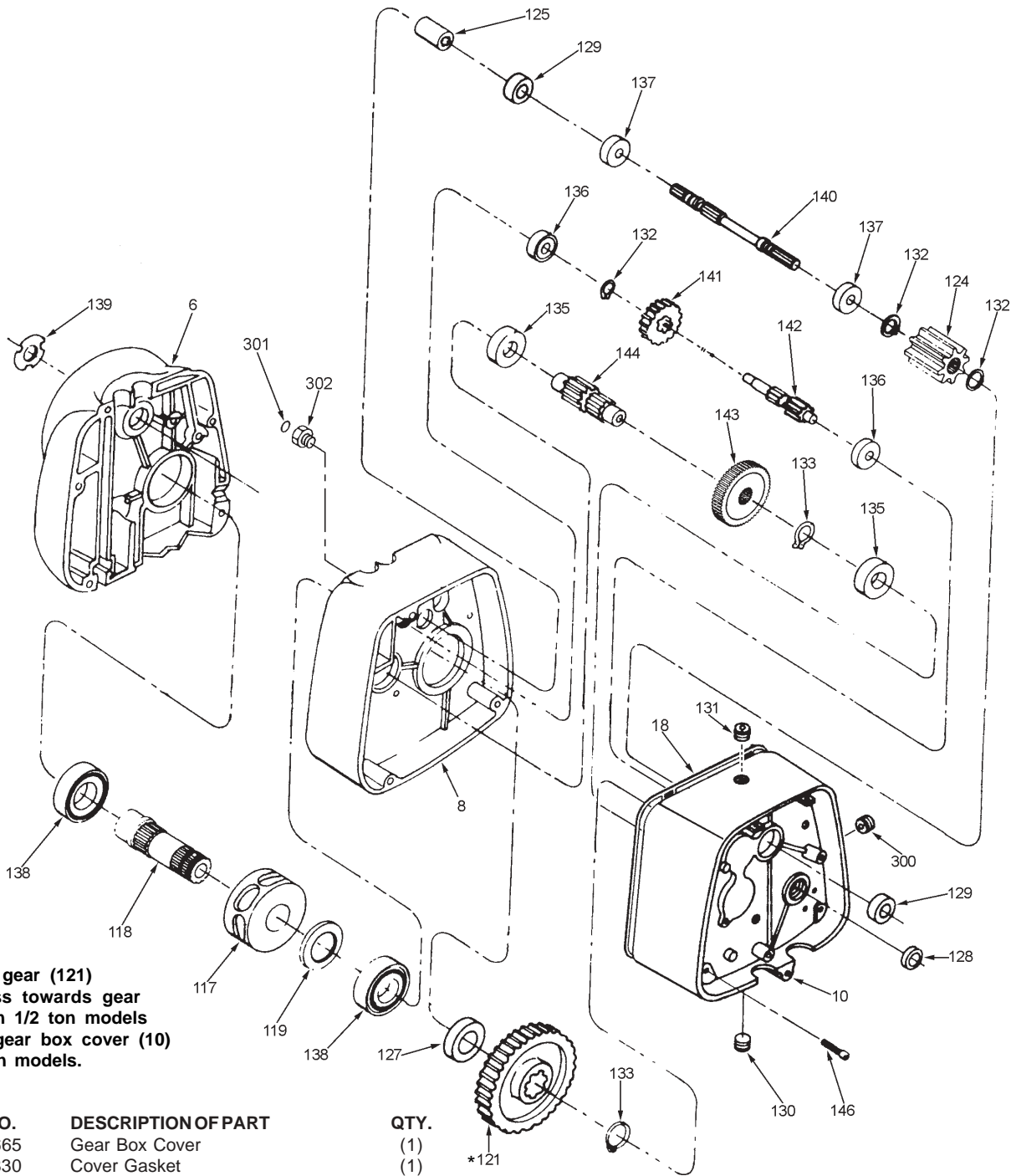
FOR CATALOG NOS. 9565, 9567, 9568, 9570, 9572 & 9573

|    |            |                           |     |
|----|------------|---------------------------|-----|
| 31 | 23-30-0220 | 1 HP 115/230V 60 Hz Motor | (1) |
|----|------------|---------------------------|-----|



FOR CATALOG NO. 9566 & 9571

| FIG. | PART NO.   | DESCRIPTION OF PART          | QTY. |
|------|------------|------------------------------|------|
| 60   | 23-30-0230 | 1 HP 230/460V, 3 Phase Motor | (1)  |
| 61   | -----      | Not Available                | ---  |
| 64   | -----      | Not Available                | ---  |
| 65   | -----      | Not Available                | ---  |
| 66   | -----      | Not Available                | ---  |
| 67   | -----      | Not Available                | ---  |
| 68   | -----      | Not Available                | ---  |
| 69   | -----      | Not Available                | ---  |
| 70   | -----      | Not Available                | ---  |
| 71   | -----      | Not Available                | ---  |



**\* NOTE:**  
 Orient output gear (121) with long boss towards gear housing (8) on 1/2 ton models and towards gear box cover (10) on 1 and 2 ton models.

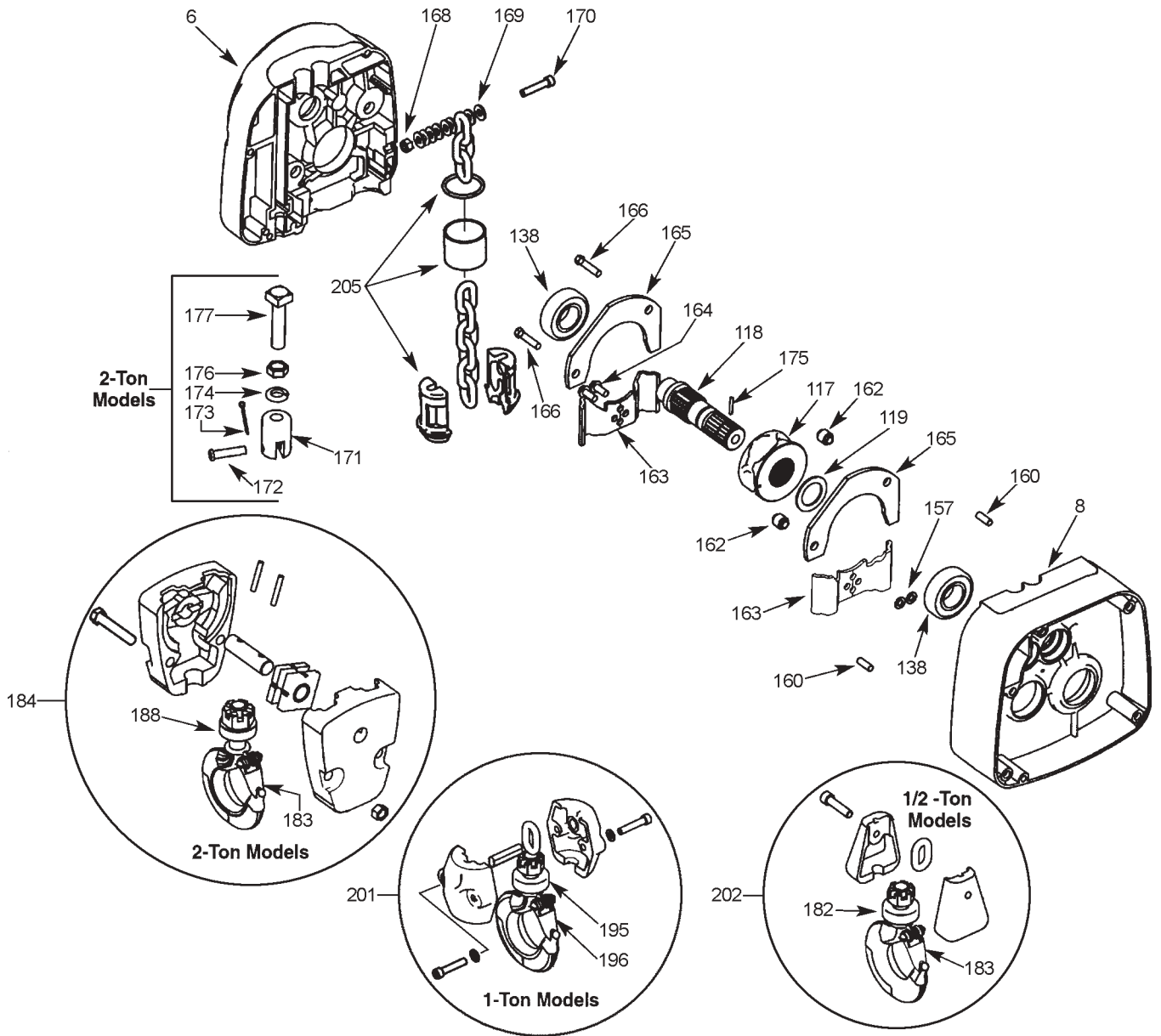
| FIG. | PART NO.   | DESCRIPTION OF PART     | QTY. |
|------|------------|-------------------------|------|
| 10   | 42-92-0665 | Gear Box Cover          | (1)  |
| 18   | 43-44-0830 | Cover Gasket            | (1)  |
| 118  | 36-50-0010 | Load Shaft              | (1)  |
| 124  | 42-04-3570 | Adapter                 | (1)  |
| 125  | 42-90-0240 | Motor Coupling          | (1)  |
| 127  | 45-06-0400 | Oil Seal                | (1)  |
| 128  | 45-06-0410 | Oil Seal                | (1)  |
| 129  | 45-06-0420 | Oil Seal                | (2)  |
| 130  | 44-68-0530 | Drain Plug 3/8" N.P.T.  | (1)  |
| 131  | 44-68-0590 | Oil Fill Plug           | (1)  |
| 132  | 34-60-1400 | Retaining Ring          | (3)  |
| 133  | 34-60-2480 | Retaining Ring          | (2)  |
| 135  | 02-04-1765 | Ball Bearing            | (2)  |
| 136  | 02-04-1030 | Ball Bearing            | (2)  |
| 137  | 02-04-1705 | Ball Bearing            | (2)  |
| 138  | 02-04-2300 | Ball Bearing            | (2)  |
| 139  | 40-50-8100 | Bearing Spring          | (1)  |
| 140  | 32-60-2320 | Input Pinion            | (1)  |
| 141  | 32-60-2325 | High Speed Gear         | (1)  |
| 144  | 32-60-2340 | Output Pinion           | (1)  |
| 145  | 50-08-7642 | 24oz. Lubricant         | (1)  |
| 146  | 06-95-5710 | Hex Washer Head Screw   | (4)  |
| 300  | 44-68-0600 | Oil Level Check Plug    | (1)  |
| 301  | 34-40-4560 | O-Ring                  | (1)  |
| 302  | 43-33-0530 | Pressure Relief Fitting | (1)  |

FOR CATALOG NOS. 9560, 9561 & 9562

| FIG. | PART NO.   | DESCRIPTION OF PART       | QTY. |
|------|------------|---------------------------|------|
| 6    | 43-76-0470 | Sheave Housing            | (1)  |
| 8    | 43-76-0480 | Gear Housing              | (1)  |
| 117  | 45-11-0110 | Load Sheave               | (1)  |
| 121  | 32-60-2310 | Output Gear               | (1)  |
| 142  | 32-60-2330 | Intermediate Speed Pinion | (1)  |
| 143  | 14-08-0150 | Overload Clutch Assembly  | (1)  |

FOR CATALOG NOS. 9565, 9566, 9567, 9568, 9570, 9571, 9572 & 9573

| FIG. | PART NO.   | DESCRIPTION OF PART       | QTY. |
|------|------------|---------------------------|------|
| 6    | 43-76-0510 | Sheave Housing            | (1)  |
| 8    | 43-76-0490 | Gear Housing              | (1)  |
| 117  | 45-11-0120 | Load Sheave               | (1)  |
| 119  | 45-36-1340 | Chain Spacer              | (1)  |
| 121  | 32-60-2315 | Output Gear               | (1)  |
| 142  | 32-60-2335 | Intermediate Speed Pinion | (1)  |
| 143  | 14-08-0160 | Overload Clutch Assembly  | (1)  |



| FIG. | PART NO.   | DESCRIPTION OF PART                    | QTY. |
|------|------------|--|------|
| 118  | 36-50-0010 | Load Shaft                             | (1)  |
| 138  | 02-04-2300 | Ball Bearing                           | (2)  |
| 160  | 06-65-3515 | Dowel Pin 1/4" x 3/4"                  | (4)  |
| 162  | 45-36-1350 | Chain Guide Spacer                     | (2)  |
| 164  | 06-95-0095 | 1/2"-20 x 5/8" Hex Hd. Thd Form. Scrw. | (2)  |
| 166  | 06-95-5647 | 1/4"-20 x 1-1/8" Thread Forming Screw  | (2)  |
| 168  | 06-57-6070 | Dead End Nut                           | (1)  |
| 169  | 45-88-5220 | 1/4" Flat Washer                       | (8)  |
| 170  | 06-81-0090 | Dead End Screw                         | (1)  |
| 171  | 45-60-0490 | Chain Support                          | (1)  |
| 172  | 44-60-1030 | Chain Support Pin                      | (1)  |
| 173  | 44-60-1040 | Cotter Pin                             | (1)  |
| 174  | 06-97-4200 | 1/2" Split Ring Lockwasher             | (1)  |
| 175  | 06-65-1535 | Roll Pin 1/8" x 3/4"                   | (1)  |
| 176  | 06-57-7520 | 1/4"-20 Jam Nut                        | (1)  |
| 177  | 45-04-0780 | Chain Support Screw                    | (1)  |

FOR CATALOG NOS. 9560, 9561 & 9562

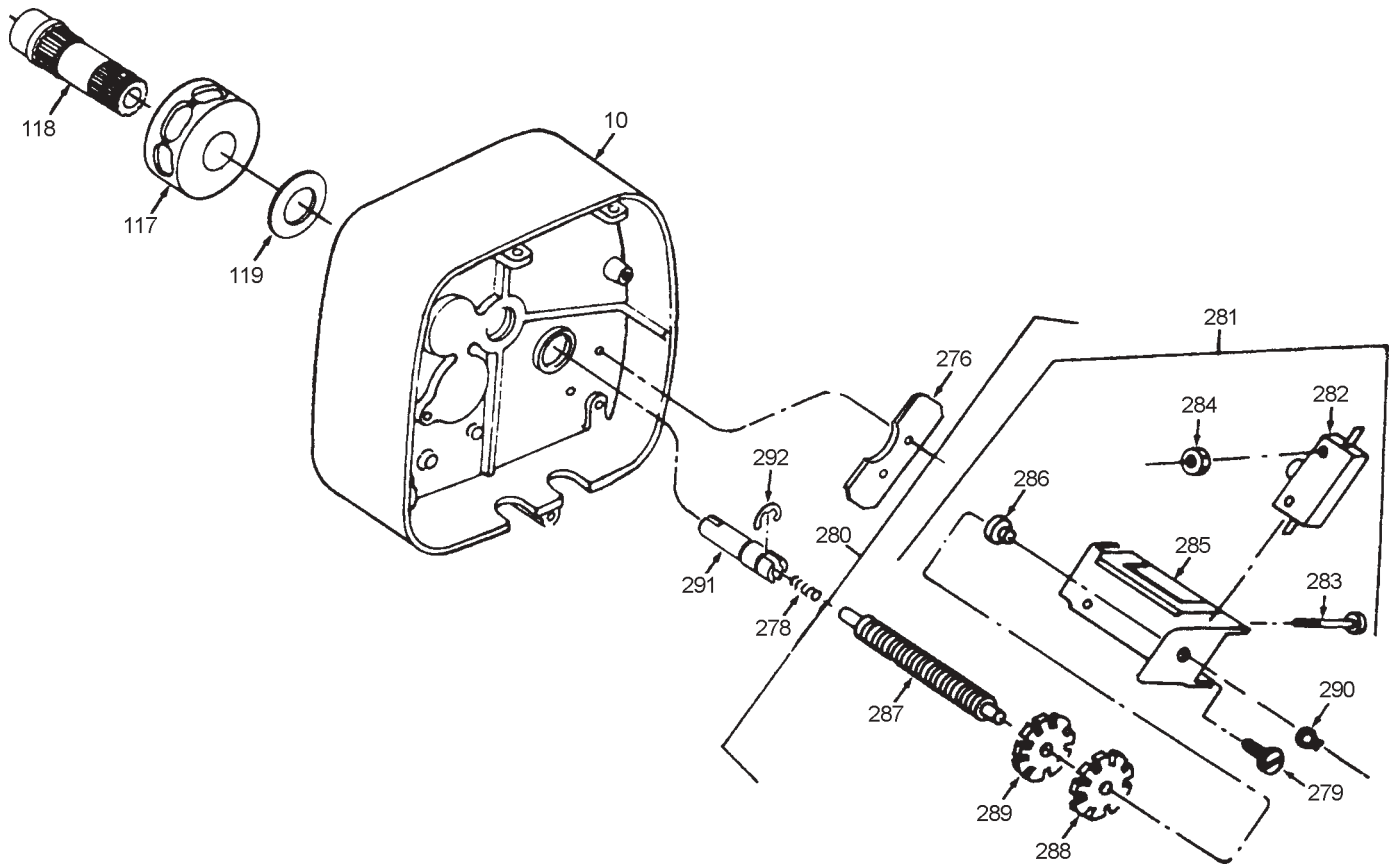
| FIG. | PART NO.   | DESCRIPTION OF PART          | QTY. |
|------|------------|------------------------------|------|
| 6    | 43-76-0470 | Sheave Housing               | (1)  |
| 8    | 43-76-0480 | Gear Housing                 | (1)  |
| 117  | 45-11-0110 | Load Sheave                  | (1)  |
| 118  | 06-97-2600 | Washer                       | (2)  |
| 163  | 43-56-0440 | Chain Guide                  | (2)  |
| 165  | 44-66-5655 | Chain Guide Plate            | (2)  |
| 182  | 14-36-0180 | Bottom Hook w/Latch Assembly | (1)  |
| 183  | 14-47-0590 | Latch Kit                    | (1)  |
| 202  | 14-47-0630 | Load Block Kit               | (1)  |
| 205  | 14-47-1245 | End Stop Kit                 | (1)  |

FOR CATALOG NOS. 9565, 9566, 9567 & 9568

| FIG. | PART NO.   | DESCRIPTION OF PART   | QTY. |
|------|------------|-----------------------|------|
| 6    | 43-76-0510 | Sheave Housing        | (1)  |
| 8    | 43-76-0490 | Gear Housing          | (1)  |
| 117  | 45-11-0120 | Load Sheave           | (1)  |
| 119  | 45-36-1340 | Chain Spacer          | (1)  |
| 163  | 43-56-0450 | Chain Guide           | (2)  |
| 165  | 44-66-5656 | Chain Guide Plate     | (2)  |
| 195  | 14-36-0180 | Hook & Latch Assembly | (1)  |
| 196  | 14-47-0590 | Latch Kit             | (1)  |
| 201  | 42-28-0290 | Load Block Kit        | (1)  |
| 205  | 14-47-1250 | End Stop Kit          | (1)  |

FOR CATALOG NOS. 9570, 9571, 9572 & 9573

| FIG. | PART NO.   | DESCRIPTION OF PART          | QTY. |
|------|------------|------------------------------|------|
| 6    | 43-76-0510 | Sheave Housing               | (1)  |
| 8    | 43-76-0490 | Gear Housing                 | (1)  |
| 117  | 45-11-0120 | Load Sheave                  | (1)  |
| 119  | 45-36-1340 | Chain Spacer                 | (1)  |
| 163  | 43-56-0450 | Chain Guide                  | (2)  |
| 165  | 44-66-5656 | Chain Guide Plate            | (2)  |
| 183  | 14-47-0590 | Latch Kit                    | (1)  |
| 184  | 14-47-0620 | Load Block Kit               | (1)  |
| 188  | 14-36-0170 | Bottom Hook w/Latch Assembly | (1)  |
| 190  | 14-73-0220 | Sheave Shaft Assembly        | (1)  |
| 205  | 14-47-1250 | End Stop Kit                 | (1)  |



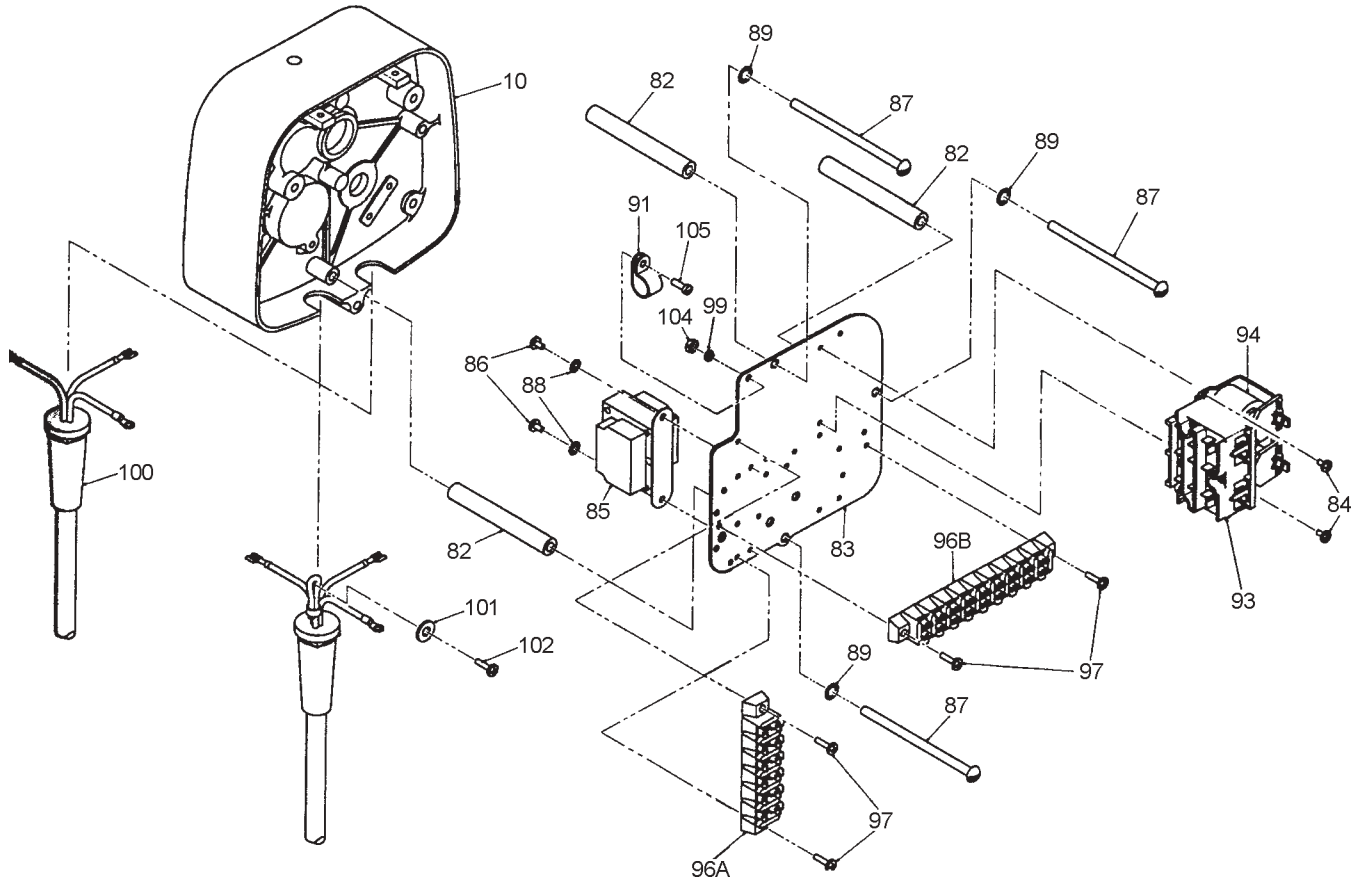
| FIG. | PART NO.   | DESCRIPTION OF PART                       | QTY. |
|------|------------|---|------|
| 10   | 42-92-0665 | Gear Box Cover                            | (1)  |
| 274  | 36-50-0010 | Load Shaft Assembly                       | (1)  |
| 276  | 43-86-0130 | Insulator                                 | (1)  |
| 278  | 40-50-8090 | Spring                                    | (1)  |
| 279  | 06-95-0338 | 10-24 x 1/2" Thrd. Form. Taptite Scrw.    | (2)  |
| 280  | 14-73-0210 | Limit Switch & Shaft (Incl. Fig. 281-290) | (1)  |
| 281  | 14-78-0340 | Limit Switch Assy. (Incl. Fig. 282-286)   | (1)  |
| 282  | 23-66-1550 | Switch                                    | (2)  |
| 283  | 06-81-0725 | 6-32 x 1" Fillister Head                  | (4)  |
| 284  | 06-57-6059 | 6-32 Lock Nut                             | (4)  |
| 285  | 23-66-1555 | Limit Switch Bracket                      | (1)  |
| 286  | 42-40-0910 | Bushing                                   | (1)  |
| 287  | 45-08-0280 | Limit Switch Shaft                        | (1)  |
| 288  | 44-40-0636 | Limit Switch Nut - Gold                   | (1)  |
| 289  | 44-40-0641 | Limit Switch Nut - Silver                 | (1)  |
| 290  | 34-60-0510 | Retaining Ring                            | (1)  |
| 291  | 45-08-0290 | Limit Switch Stud Shaft                   | (1)  |
| 292  | 34-60-2470 | E-Ring                                    | (1)  |

FOR CATALOG NOS. 9560, 9561 & 9562

| FIG. | PART NO.   | DESCRIPTION OF PART | QTY. |
|------|------------|---------------------|------|
| 117  | 45-11-0110 | Load Sheave         | (1)  |

FOR CATALOG NOS. 9565, 9566, 9567, 9568,  
9570, 9571, 9572 & 9573

| FIG. | PART NO.   | DESCRIPTION OF PART | QTY. |
|------|------------|---------------------|------|
| 117  | 45-11-0120 | Load Sheave         | (1)  |
| 119  | 45-36-1340 | Chain Spacer        | (1)  |



| FIG. | PART NO.   | DESCRIPTION OF PART                | QTY. |
|------|------------|------------------------------------|------|
| 10   | 42-92-0665 | Gear Box Cover                     | (1)  |
| 82   | 45-36-1330 | Standoff Spacer                    | (3)  |
| 83   | 44-66-5650 | Electrical Panel Plate             | (1)  |
| 84   | 06-81-4564 | Screw                              | (3)  |
| 86   | 06-81-4564 | Screw                              | (2)  |
| 87   | 06-81-4760 | 1/4"-20 x 4-1/4" Round Head Screw  | (3)  |
| 88   | 06-97-4158 | Lockwasher                         | (2)  |
| 89   | 06-97-2600 | 1/4" Internal Tooth Lockwasher     | (3)  |
| 91   | 42-68-0575 | Cable Clamp                        | (1)  |
| 93   | 22-58-0095 | Contactor - 24 Volt                | (1)  |
| 94   | 22-51-0205 | Coil - 24 Volt                     | (1)  |
| 97   | 06-81-5700 | 10-24 x 5/8" Pan Hd. Screw         | (2)  |
| 99   | 06-97-3200 | #8 Split Ring Lockwasher           | (1)  |
| 101  | 45-88-5220 | 1/4" Flat Washer                   | (1)  |
| 102  | 06-95-0338 | 10-24 x 1/2" Pan Hd. Taptite screw | (1)  |
| 104  | 06-55-0830 | 8-32 Hex Nut                       | (1)  |
| 105  | 06-81-0910 | 8-32 x 1/2" Fillister Head         | (1)  |

FOR CATALOG NOS. 9566 & 9571

| FIG. | PART NO.   | DESCRIPTION OF PART      | QTY. |
|------|------------|--------------------------|------|
| 85   | 23-81-0232 | Transformer              | (1)  |
| 96   | 22-56-0575 | Connector Terminal Block | (1)  |
| 100  | 22-64-2890 | Cord Set                 | (1)  |

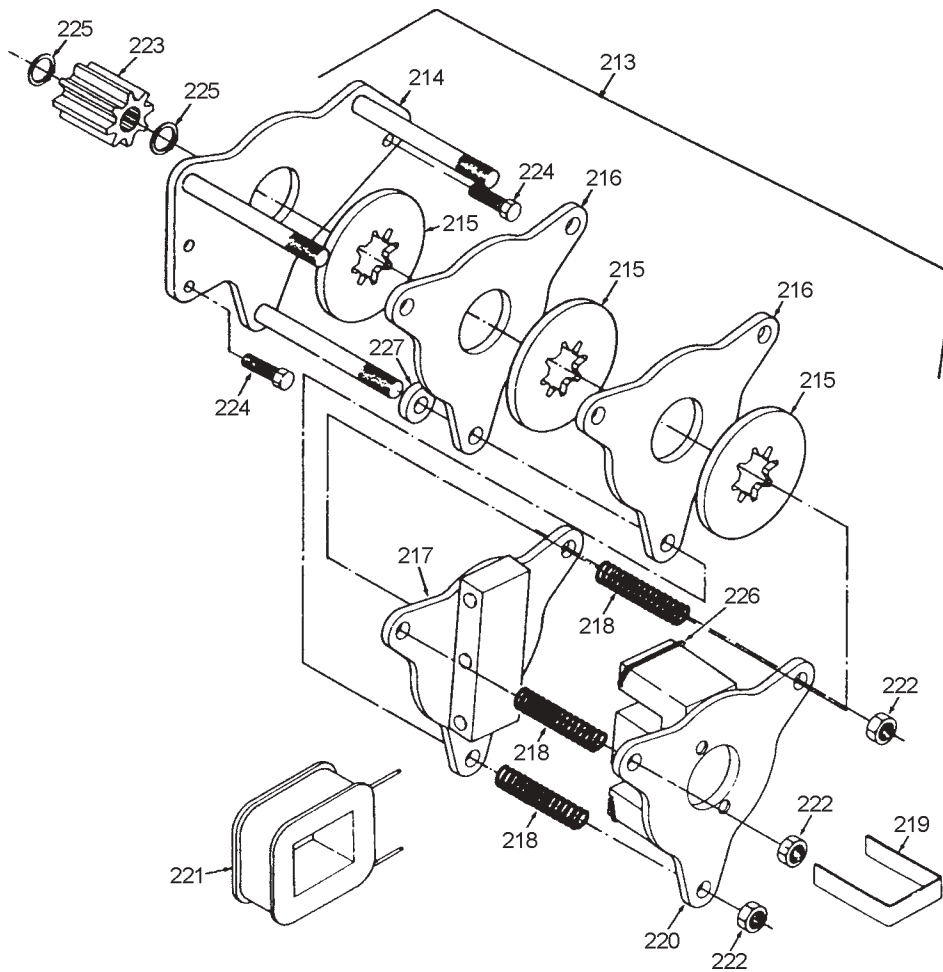
FOR CATALOG NOS. 9560, 9561, 9562

| FIG. | PART NO.   | DESCRIPTION OF PART      | QTY. |
|------|------------|--------------------------|------|
| 85   | 23-81-0212 | Transformer              | (1)  |
| 96   | 22-56-0565 | Connector Terminal Block | (1)  |
| 100  | 22-64-6420 | Cord Set                 | (1)  |

FOR CATALOG NOS. 9565, 9567, 9568, 9570, 9572 & 9573

| FIG. | PART NO.   | DESCRIPTION OF PART      | QTY. |
|------|------------|--------------------------|------|
| 85   | 23-81-0212 | Transformer              | (1)  |
| 96   | 22-56-0565 | Connector Terminal Block | (1)  |
| 100  | 22-64-2420 | Cord Set                 | (1)  |





| FIG. | PART NO.   | DESCRIPTION OF PART                  | QTY. |
|------|------------|--------------------------------------|------|
| 214  | 14-67-0230 | Plate & Stud Assembly                | (1)  |
| 216  | 44-66-5660 | Brake Plate                          | (2)  |
| 217  | 14-67-0240 | Plate & Armature Assembly            | (1)  |
| 218  | 40-50-8110 | Spring                               | (3)  |
| 219  | 44-86-0500 | Retainer                             | (1)  |
| 220  | 14-67-0250 | Plate & Frame Assembly               | (1)  |
| 222  | 06-57-3978 | Lock Nut                             | (3)  |
| 223  | 42-04-3570 | Adapter                              | (1)  |
| 224  | 06-95-0095 | 1/2"-20 x 5/8" Hex Hd. Thrd. Forming | (2)  |
| 225  | 34-60-1400 | Retaining Ring                       | (2)  |
| 226  | 22-51-0230 | Shading Coil                         | (2)  |
| 226A | 42-56-7812 | Adhesive (Not Shown)                 | (1)  |

FOR CATALOG NOS. 9560, 9561 & 9562

| FIG. | PART NO.   | DESCRIPTION OF PART | QTY. |
|------|------------|---------------------|------|
| 213  | 14-04-0030 | Disk Brake Assembly | (1)  |
| 215  | 43-06-0580 | Brake & Disc        | (2)  |
| 221  | 22-51-0210 | Coil 115/230V 60 Hz | (1)  |
| 227  | 45-36-1360 | Spacer              | (3)  |

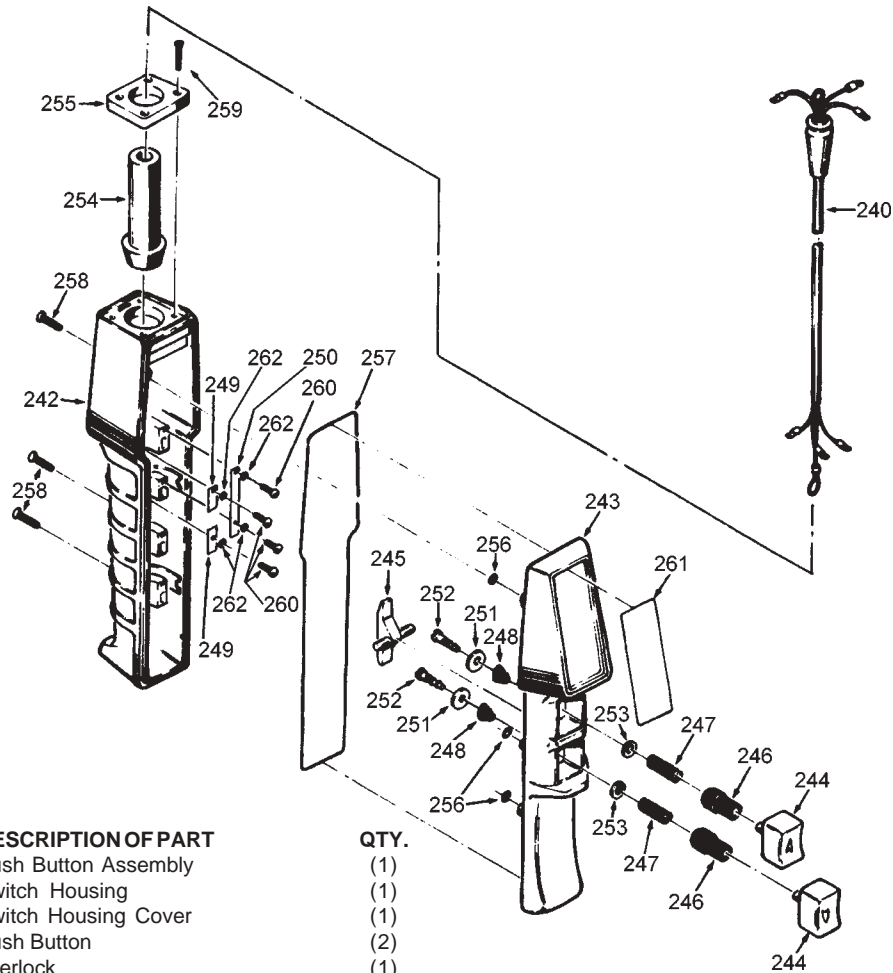
FOR CATALOG NOS. 9565, 9567, 9568, 9570, 9572 & 9573

| FIG. | PART NO.   | DESCRIPTION OF PART | QTY. |
|------|------------|---------------------|------|
| 213  | 14-04-0040 | Disc Brake Assembly | (1)  |
| 215  | 43-06-0580 | Brake & Disc        | (3)  |
| 221  | 22-51-0210 | Coil 115/230V 60 Hz | (1)  |

FOR CATALOG NOS. 9566 & 9571

| FIG. | PART NO.   | DESCRIPTION OF PART         | QTY. |
|------|------------|-----------------------------|------|
| 213  | 14-04-0050 | Disc Brake Assembly         | (1)  |
| 215  | 43-06-0580 | Brake & Disc                | (3)  |
| 221  | 22-51-0220 | Coil 230/460V 3 Phase 60 Hz | (1)  |





| FIG. | PART NO.   | DESCRIPTION OF PART                 | QTY. |
|------|------------|-------------------------------------|------|
| 241  | 23-37-0140 | Push Button Assembly                | (1)  |
| 242  | 43-76-0500 | Switch Housing                      | (1)  |
| 243  | 42-92-0720 | Switch Housing Cover                | (1)  |
| 244  | 42-42-0300 | Push Button                         | (2)  |
| 245  | 44-20-0250 | Interlock                           | (1)  |
| 246  | 45-06-0430 | Dust Shield                         | (2)  |
| 247  | 40-50-8140 | Compression Spring                  | (2)  |
| 248  | 40-50-8150 | Conical Spring                      | (2)  |
| 249  | 44-66-5710 | Switch Contact                      | (2)  |
| 250  | 44-66-5720 | Switch Contact Common               | (1)  |
| 251  | 45-88-8100 | Contact Washer                      | (2)  |
| 252  | 06-95-0045 | Contact Screw                       | (2)  |
| 253  | 45-06-0440 | Boot Seal                           | (2)  |
| 254  | 22-90-0190 | Grommet                             | (1)  |
| 255  | 22-32-0360 | Cap                                 | (1)  |
| 256  | 34-40-4150 | O-Ring                              | (3)  |
| 257  | 45-06-0450 | Seal                                | (1)  |
| 258  | 06-95-5335 | 10-3/4" Flat Hd. Self Tapping Screw | (3)  |
| 259  | 06-95-0132 | 6-5/8" Flat Hd. Self Tapping Screw  | (4)  |
| 260  | 06-95-0043 | 4-3/8" Round Hd. Self Tapping Screw | (4)  |
| 261  | 10-37-0090 | Warning Label                       | (1)  |
| 262  | 06-97-0450 | #4 External Tooth Lock Washer       | (4)  |

FOR CATALOG NO. 9560

| FIG. | PART NO.   | DESCRIPTION OF PART          | QTY. |
|------|------------|------------------------------|------|
| 239  | 14-05-0020 | Pushbutton & Cable Assy. 10' | (1)  |
| 240  | 22-64-2850 | Cable Assy. 10'              | (1)  |

FOR CATALOG NO. 9561

| FIG. | PART NO.   | DESCRIPTION OF PART          | QTY. |
|------|------------|------------------------------|------|
| 239  | 14-05-0030 | Pushbutton & Cable Assy. 15' | (1)  |
| 240  | 22-64-2860 | Cable Assy. 15'              | (1)  |

FOR CATALOG NOS. 9562

| FIG. | PART NO.   | DESCRIPTION OF PART          | QTY. |
|------|------------|------------------------------|------|
| 239  | 14-05-0040 | Pushbutton & Cable Assy. 20' | (1)  |
| 240  | 22-64-2870 | Cable Assy. 20'              | (1)  |

FOR CATALOG NOS. 9565 & 9566

| FIG. | PART NO.   | DESCRIPTION OF PART          | QTY. |
|------|------------|------------------------------|------|
| 239  | 14-05-0020 | Pushbutton & Cable Assy. 10' | (1)  |
| 240  | 22-64-2850 | Cable Assy. 10'              | (1)  |

FOR CATALOG NO. 9567

| FIG. | PART NO.   | DESCRIPTION OF PART          | QTY. |
|------|------------|------------------------------|------|
| 239  | 14-05-0030 | Pushbutton & Cable Assy. 15' | (1)  |
| 240  | 22-64-2860 | Cable Assy. 15'              | (1)  |

FOR CATALOG NO. 9568

| FIG. | PART NO.   | DESCRIPTION OF PART          | QTY. |
|------|------------|------------------------------|------|
| 239  | 14-05-0040 | Pushbutton & Cable Assy. 20' | (1)  |
| 240  | 22-64-2870 | Cable Assy. 20'              | (1)  |

FOR CATALOG NO. 9570 & 9571

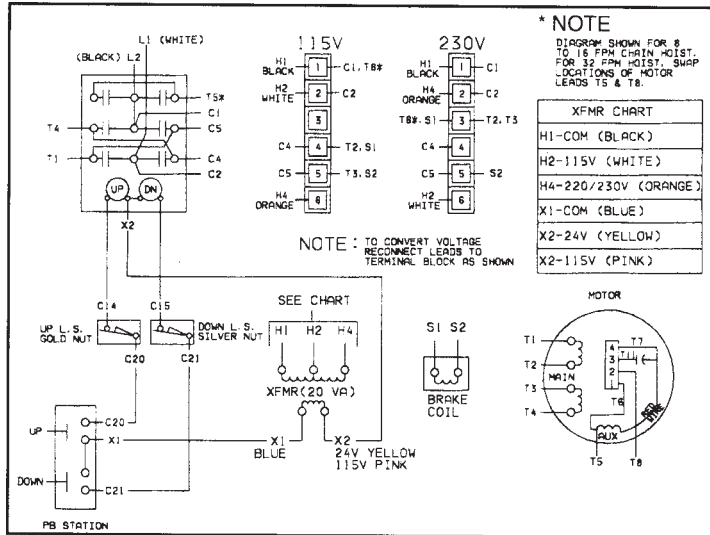
| FIG. | PART NO.   | DESCRIPTION OF PART          | QTY. |
|------|------------|------------------------------|------|
| 239  | 14-05-0020 | Pushbutton & Cable Assy. 10' | (1)  |
| 240  | 22-64-2850 | Cable Assy. 10'              | (1)  |

FOR CATALOG NO. 9572

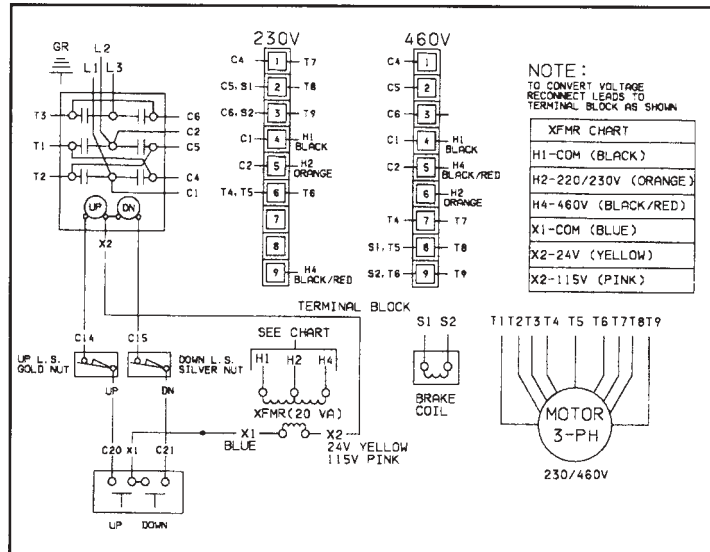
| FIG. | PART NO.   | DESCRIPTION OF PART          | QTY. |
|------|------------|------------------------------|------|
| 239  | 14-05-0030 | Pushbutton & Cable Assy. 15' | (1)  |
| 240  | 22-64-2860 | Cable Assy. 15'              | (1)  |

FOR CATALOG NO. 9573

| FIG. | PART NO.   | DESCRIPTION OF PART          | QTY. |
|------|------------|------------------------------|------|
| 239  | 14-05-0040 | Pushbutton & Cable Assy. 20' | (1)  |
| 240  | 22-64-2870 | Cable Assy. 20'              | (1)  |



115 / 230V, Single Phase (6-Wire Motor)



230 / 460V, Three Phase