



SERVICE PARTS LIST

BULLETIN NO.
54-02-0201

SPECIFY CATALOG NO. AND SERIAL NO. WHEN ORDERING PARTS		REVISED BULLETIN 54-02-0200	DATE Sept. '97
1 TON HAND CHAIN HOIST			
CATALOG NO. 9510, 9511, 9512	DATE CODE MY 8612	WIRING INSTRUCTION NONE	

EXAMPLE:



Component Parts (Small #)
Are Included When Ordering
The Assembly (Large #).

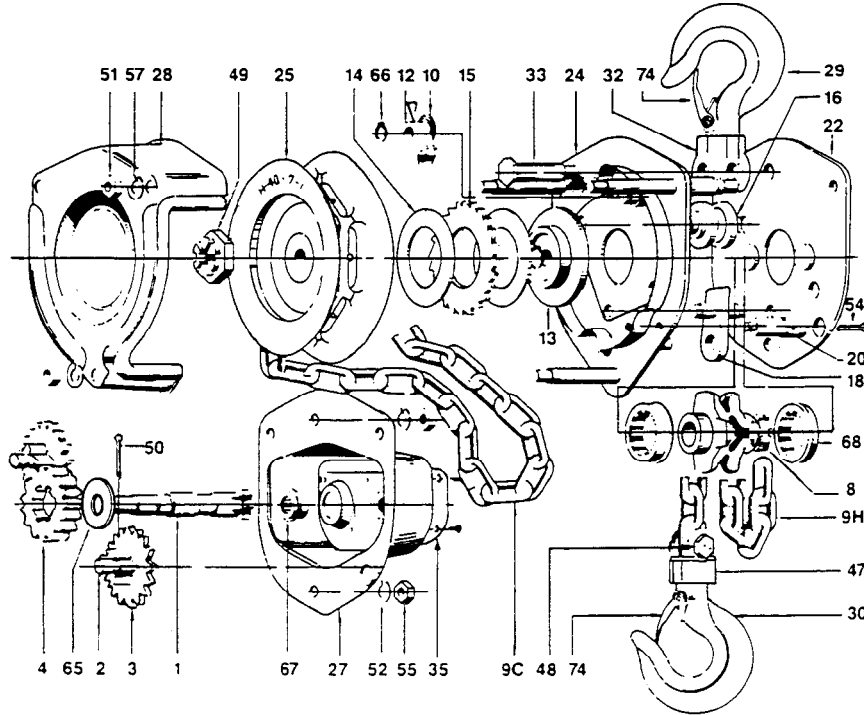


FIG.	PART NO.	DESCRIPTION OF PART	NO. REQ.
	1	Pinion Shaft	(1)
	2	Pinion Gear Assy. (Incl. Fig. No.3) (Set of 2)	(1)
★	4	Load Gear	(1)
★	8	Load Sheave	(1)
	10	Pawl Kit (Incl. Fig. No. 66 & 12)	(1)
	13	Disc Hub	(1)
	14	Friction Disc (Set of 2)	(1)
	15	Ratchet	(1)
	16	Chain Guide Plate (Incl. Fig. 18 & 20)	(1)
	22	Gear Side Plate	(1)
	24	Wheel Side Plate	(1)
	25	Hand Wheel	(1)
	27	Gear Cover	(1)
	28	Hand Wheel Cover	(1)
	29	Top Hook (Incl. Fig. 32 & 74)	(1)
	30	Bottom Hook Assembly (Incl. Fig 47, 48 & 74)	(1)
	33	Yoke Pin	(1)
	48	Chain Fastening Bolt Assembly	(1)
	67	Pinion Bearing (Set of 4)	(1)
	68	Sheave Bearing (Set of 2)	(1)
	74	Hoist Latch Kit	(2)

FIG.	PART NO.	DESCRIPTION OF PART	NO. REQ
(For Catalog 9510 Only)			
35	12-40-0025	Nameplate	(1)
9H	42-60-0225	1 Ton 10 Ft. Lift Chain	(1)
9C	42-60-0200	Hand Chain For 10 Ft. Lift	(1)
(For Catalog 9511 Only)			
35	12-40-0030	Nameplate	(1)
9H	42-60-0230	1 Ton 15 Ft. Lift Chain	(1)
9C	42-60-0340	Hand Chain For 15 Ft. Lift	(1)
(For Catalog 9512 Only)			
35	12-40-0035	Nameplate	(1)
9H	42-60-0235	1 Ton 20 Ft. Lift Chain	(1)
9C	42-60-0345	Hand Chain For 20 Ft. Lift	(1)

14-47-0070 Hoist Fastener Repair Kit
Includes Fig. 49, 50, 51, 52, 54, 55,
57 & 65

MILWAUKEE ELECTRIC TOOL CORPORATION
13135 W. LISBON RD., BROOKFIELD, WI 53005