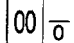




# SERVICE PARTS LIST

BULLETIN NO.  
54-02-0350

SPECIFY CATALOG NO. AND SERIAL NO. WHEN ORDERING PARTS		REVISED BULLETIN	DATE
2 TON HAND CHAIN HOISTS			Aug. '90
CATALOG NO. 9509, 9513, 9514	DATE CODE MB	WIRING INSTRUCTION <b>None</b>	

EXAMPLE:  

 Component Parts ( Small #) Are Included  
 When Ordering The Assembly (Large #).

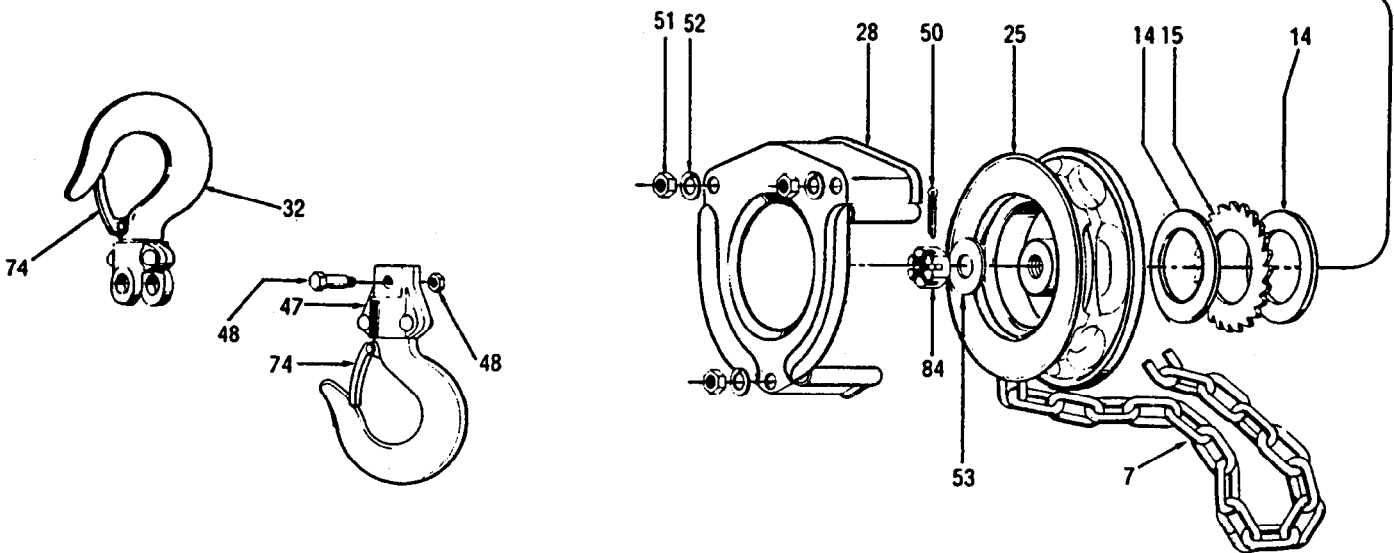
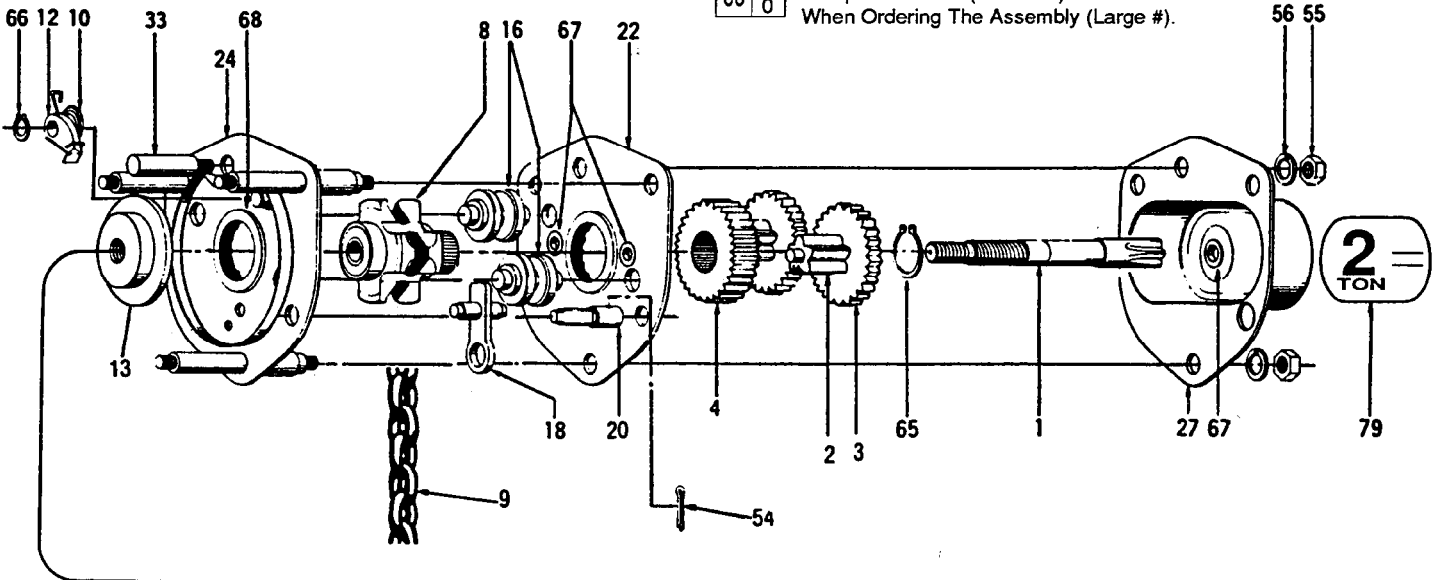


FIG.	PART NO.	DESCRIPTION OF PART	QTY.	FIG.	PART NO.	DESCRIPTION OF PART	QTY.
1	36-66-4560	Pinion Shaft	(1)	50,51,52,53,54,			
2,3	32-60-2430	Pinion Gear	(2)	55,56,65,84	14-47-0720	Hoist Fastening Repair Kit	(1)
4	32-60-2480	Load Gear	(1)	67	42-24-0450	Pinion Bearing	(4)
7	42-60-0540	17' Hand Chain (9509)	(1)	68	42-24-0500	Sheave Bearing	(2)
	42-60-0550	28' Hand Chain (9513)	(1)	74	14-47-0770	Hoist Latch Kit	(1)
	42-60-0560	38' Hand Chain (9514)	(1)	16,18,20	14-47-0820	Chain Guide Kit	(1)
8	45-11-0150	Load Sheave	(1)	22	44-66-5790	Gear Side Plate	(1)
9	42-60-0460	10' 9" Load Chain (9509)	(1)	24	44-66-5840	Wheel Side Plate	(1)
	42-60-0470	15' 9" Load Chain (9513)	(1)	25	45-94-0335	Handwheel	(1)
	42-60-0480	20' 9" Load Chain (9514)	(1)	27	42-92-0860	Gear Cover	(1)
10,12,66	14-47-0670	Pawl Kit	(1)	33	44-60-1210	Yoke Pin	(1)
13	43-78-0415	Disc Hub	(1)	79		Nameplate	(1)
14	43-06-0610	Friction Disc	(2)				
15	44-84-0280	Ratchet	(1)				
28	42-92-0810	Handwheel Cover	(1)				
32,74	43-74-0165	Top Hook	(1)				
47,48,74	14-36-0220	Bottom Hook Assembly	(1)				
48	14-03-0110	Chain Fastening Bolt Assembly	(1)				

MILWAUKEE ELECTRIC TOOL CORPORATION  
 13135 W. LISBON RD., BROOKFIELD, WI 53005