



SERVICE PARTS LIST

BULLETIN NO.
54-02-0150

SPECIFY CATALOG NO. AND SERIAL NO. WHEN ORDERING PARTS		REVISED BULLETIN	DATE
1/2 TON HAND CHAIN HOISTS			Aug. '90
CATALOG NO. 9503, 9504, 9505	DATE CODE MB	WIRING INSTRUCTION None	



EXAMPLE:
Component Parts (Small #) Are Included
When Ordering The Assembly (Large #).

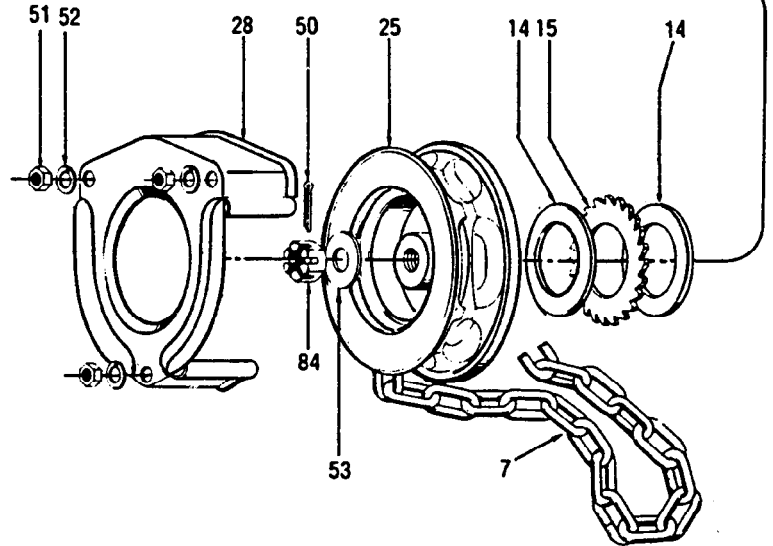
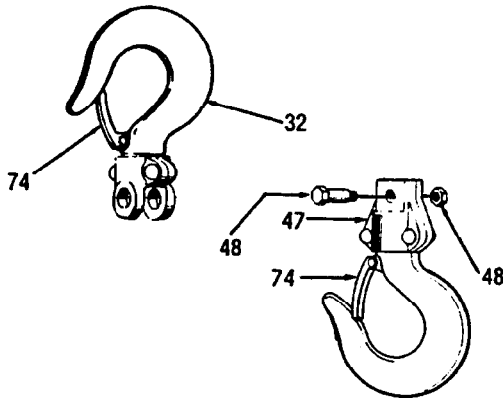
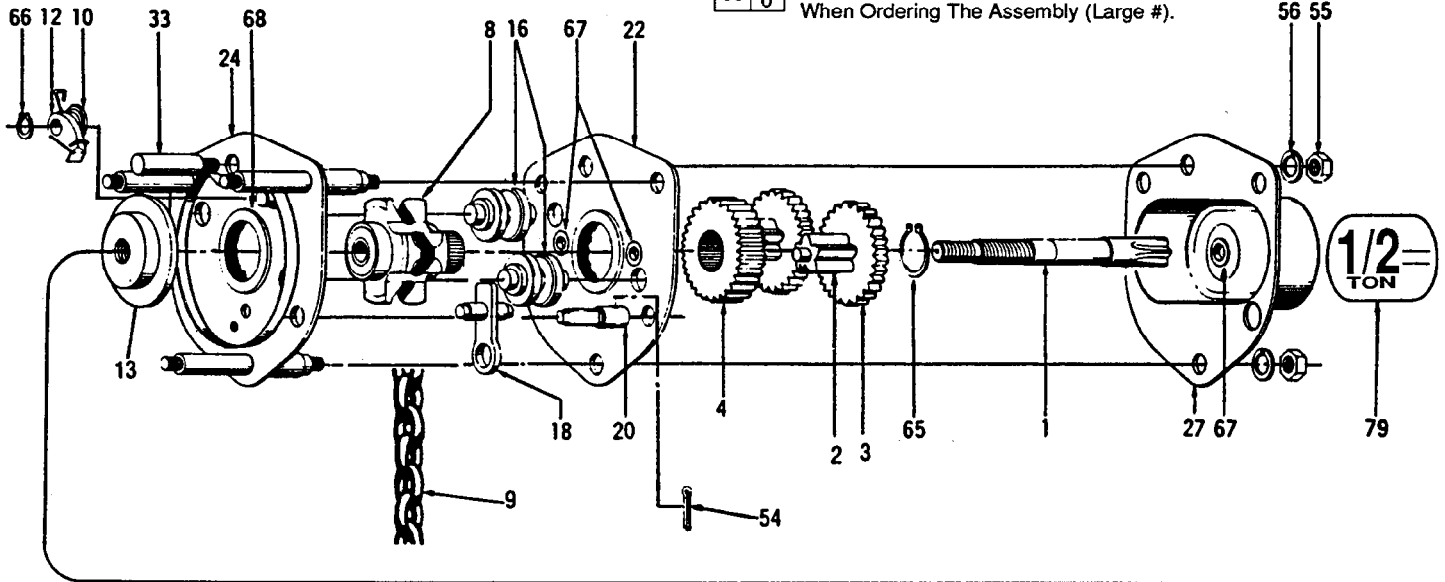


FIG.	PART NO.	DESCRIPTION OF PART	QTY.
1	36-66-4540	Pinion Shaft	(1)
2,3	32-60-2410	Pinion Gear	(2)
4	32-60-2460	Load Gear	(1)
7	42-60-0540	17' Hand Chain (9503)	(1)
	42-60-0550	28' Hand Chain (9504)	(1)
	42-60-0560	38' Hand Chain (9505)	(1)
8	45-11-0130	Load Sheave	(1)
9	42-60-0400	10' 9" Load Chain (9503)	(1)
	42-60-0410	15' 9" Load Chain (9504)	(1)
	42-60-0420	20' 6" Load Chain (9505)	(1)
10,12,66	14-47-0690	Pawl Kit	(1)
13	43-78-0395	Disc Hub	(1)
14	43-06-0590	Friction Disc	(2)
15	44-84-0260	Ratchet	(1)
28	42-92-0790	Handwheel Cover	(1)
32,74	43-74-0145	Top Hook	(1)
47,48,74	14-36-0200	Bottom Hook Assembly	(1)
48	14-03-0090	Chain Fastening Bolt Assembly	(1)

FIG.	PART NO.	DESCRIPTION OF PART	QTY.
50,51,52,53,54,			
55,56,65,84	14-47-0700	Hoist Fastening Repair Kit	(1)
67	42-24-0440	Pinion Bearing	(4)
68	42-24-0480	Sheave Bearing	(2)
74	14-47-0750	Hoist Latch Kit	(1)
16,18,20	14-47-0800	Chain Guide Kit	(1)
22	44-66-5770	Gear Side Plate	(1)
24	44-66-5820	Wheel Side Plate	(1)
25	45-94-0315	Handwheel	(1)
27	42-92-0840	Gear Cover	(1)
33	44-60-1210	Yoke Pin	(1)
79		Nameplate	(1)

MILWAUKEE ELECTRIC TOOL CORPORATION
13135 W. LISBON RD., BROOKFIELD, WI 53005