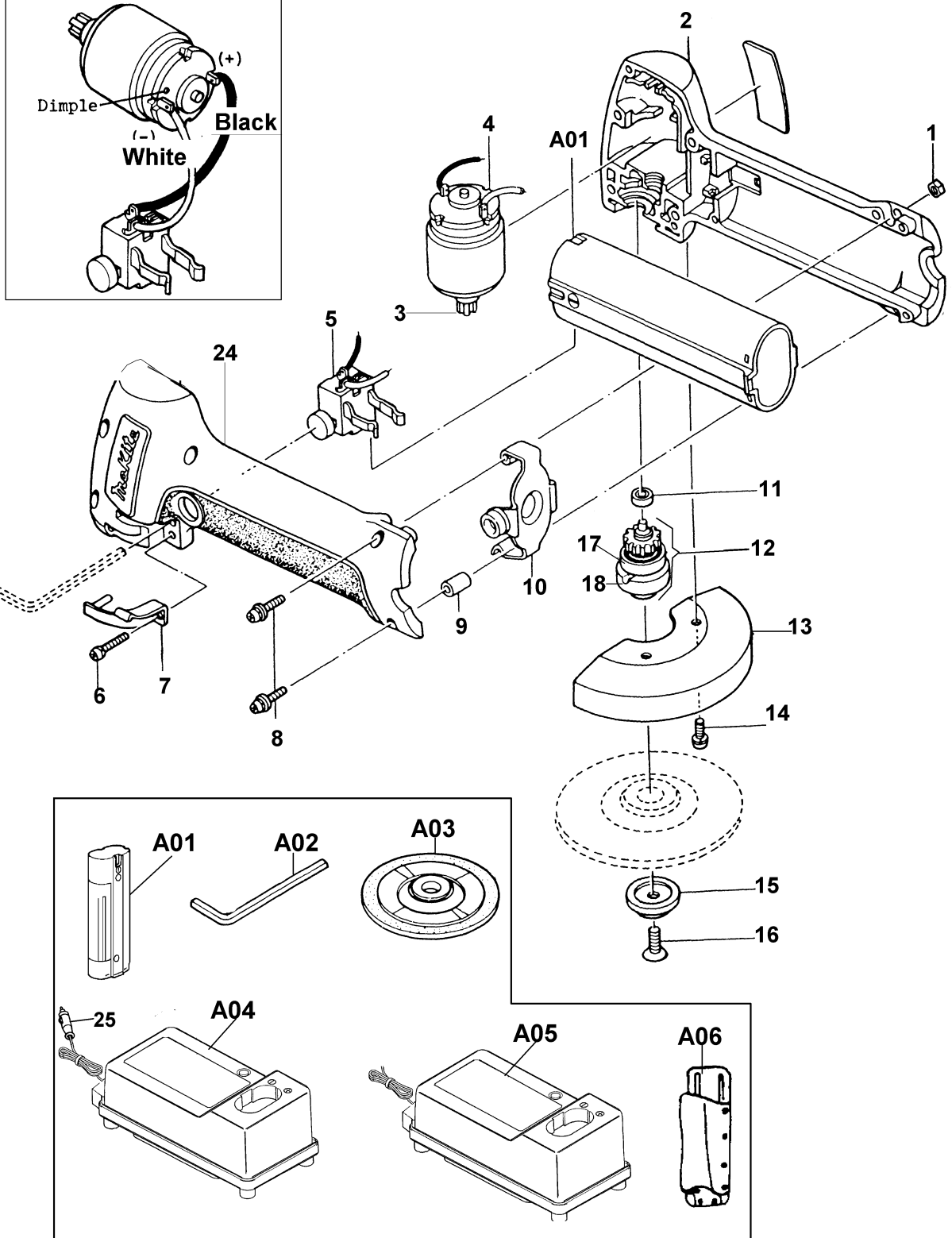


Wiring Diagram

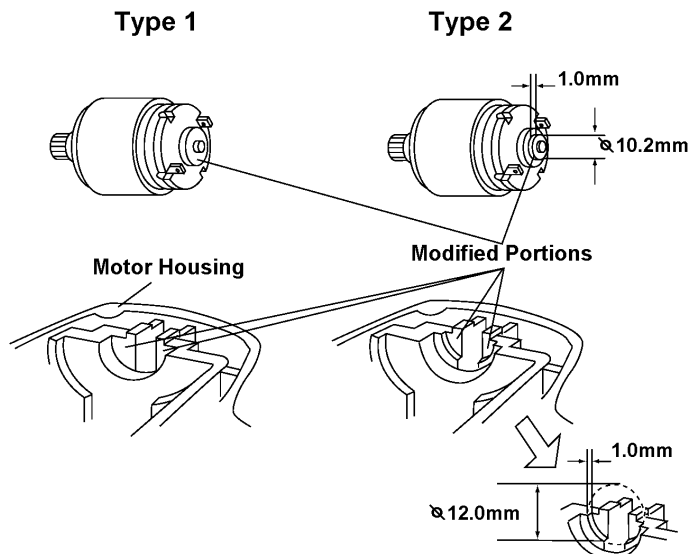


Item No.	Part No.	No. Used	Description	Item No.	Part No.	No. Used	Description
1	931102-1	6	Hex Nut M4	Accessories			
2	*	1	Housing	A01	632002-4	1	7.2V Ni-Cad Battery 7000 (1.3Ah)
3	221869-1	1	Spur Gear 13		192532-2	1	7.2V Ni-Cad Battery 7002 (2.0Ah)
4	*	1	Motor 7.2V D.C. (Includes Item 3)	A02	783202-0	1	Hex Wrench 4
5	651218-2	1	Switch	A03	794229-5	1	4" Flex Wheel (Grit 60)
6	911141-6	1	p.H. Screw M4X22		794231-8	1	4" Flex Wheel (Grit 80)
7	163140-6	1	Leaf Spring		794232-6	1	4" Flex Wheel (Grit 120)
8	911143-2	6	P.H. Screw M4X22	A04	CAADC1412	1	12V Charger for 7.2V ~ 14.4V Ni-Cad Batteries (1.3 ~ 2.0Ah) (Includes Item 25)
9	257553-2	1	Sleeve 5		DC1422	1	12V Charger for 7.2V ~ 14.4V Ni-Cad & Ni-MH Batteries (1.3 ~ 3.0Ah) (Includes Item 25)
10	341495-1	1	Set Plate (Type 1)	A05	DC7100	1	DC7100 Charger for 7.2V Ni-Cad Batteries (1.3Ah)
	163157-9	1	Set Plate With Rubber (Type 2) (Above parts are interchangeable)		DC1411	1	DC1411 Charger for 7.2V ~ 14.4V Ni-Cad & Ni-MH Batteries (1.3Ah ~ 3.0Ah)
11	211044-7	1	Ball Bearing 404		DC9710	1	DC9710 Charger for 7.2V & 9.6V Ni-Cad Batteries (1.3Ah)
12	153137-3	1	Gear Com. (With Items 17 & 18)		DC1439	1	DC1439 Charger for 7.2V ~ 14.4V Ni-Cad & Ni-MH Batteries (1.3Ah ~ 3.0Ah)
13	341639-3	1	Wheel Cover	A06	823033-3C	1	Battery Holster
14	911221-8	2	P.H. Screw M5X16				
15	224176-1	1	Outer Flange 30				
16	251981-3	1	Hex Socket Head Bolt M6X16				
17	211061-7	1	Ball Bearing 6000LLB				
18	321309-0	1	Spindle				
24	*	1	Housing				
25	655000-B	1	Plug for Cigarette Lighter				

SERVICE CHANGES

* SEE SERVICE CHANGES

1. Change on Motor and Housing Set.



Item No.	Description	Type 1	Type 2
2	Housing (R)	411793-8	181335-9 (Set)
24	Housing (L)	411794-6	
4	DC. Motor 7.2V	629519-6	629803-9

Above parts are completely interchangeable as a set.

- 2 Model 9500D
- 2 Model 9500DW