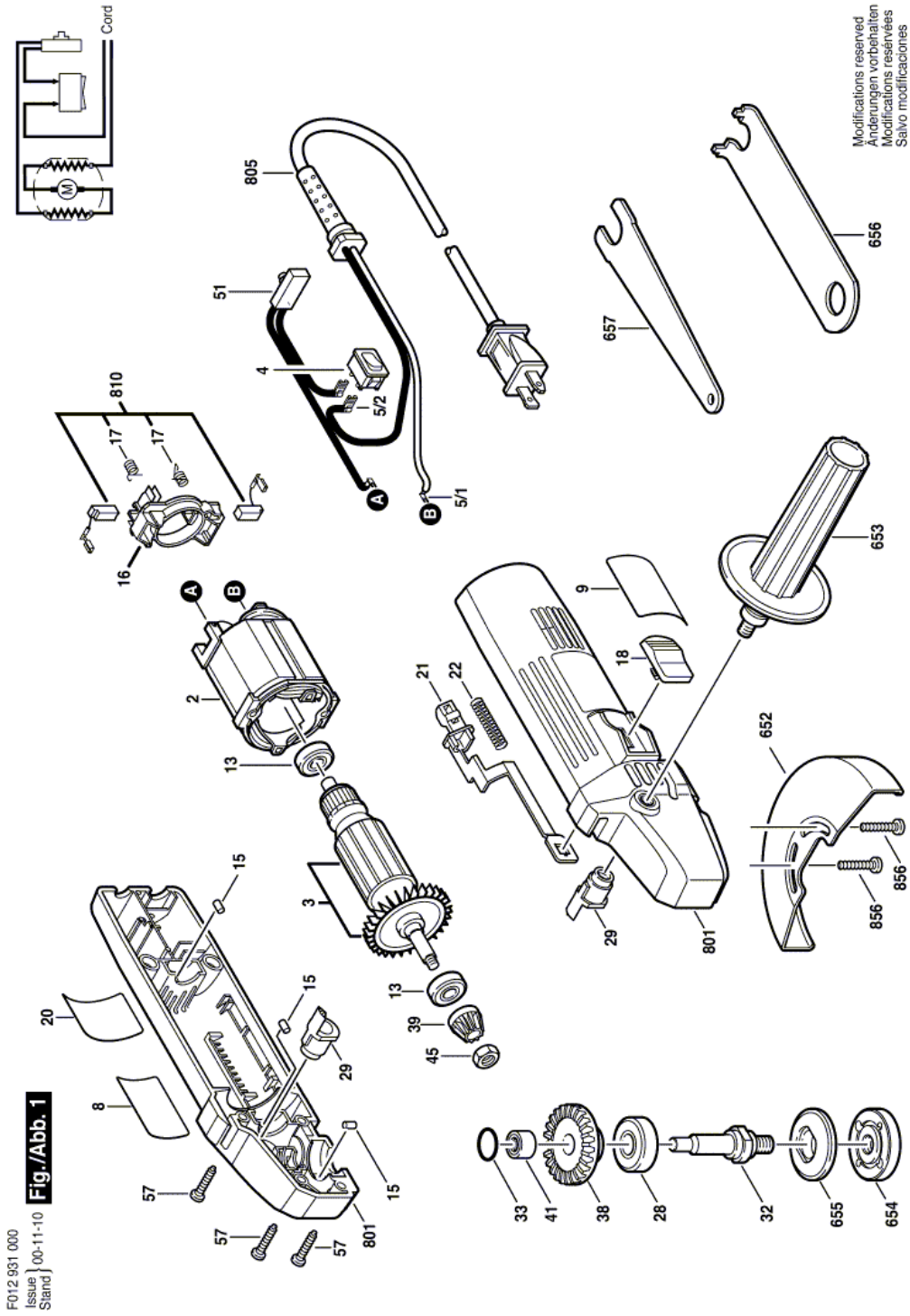


Angle Grinder - F 012 931 000 - 9310

Item	Part Number	Description	Illustration	Price	Quantity	Price Group
2	2 610 335 226	Pole Shoe 120V	1	-,-	1	-
3	2 610 384 330	Armature 120V	1	-,-	1	33
4	2 610 910 115	Switch	1	-,-	1	21
5/1	2 610 315 756	Terminal	1	-,-	2	-
5/2	2 610 352 788	Terminal	1	-,-	2	11
8	2 610 902 196	Nameplate	1	-,-	1	-
9	2 610 902 197	Label	1	-,-	1	-
13	1 619 P01 511	Ball Bearing	1	-,-	2	19
15	2 610 350 103	Pin	1	-,-	3	11
16	2 610 904 740	Brush Holder	1	-,-	1	18
17	2 610 354 369	Carbon Brush	1	-,-	2	21
18	2 610 358 652	Knob	1	-,-	1	13
20	2 610 906 753	Warning Plate	1	-,-	1	-
21	2 610 903 770	Connector	1	-,-	1	13
22	2 610 903 771	Spring	1	-,-	1	11
28	2 610 017 349	Deep-Groove Ball Bearing	1	-,-	1	31
29	2 610 903 766	Threaded Bushing	1	-,-	2	13
32	2 610 904 704	Grinding Spindle M10,SW17	1	-,-	1	27
33	2 610 015 871	Locating Ring	1	-,-	1	11
38	2 610 904 711	Crown Gear	1	-,-	1	26
39	1 606 333 605	Bevel Gear Z=11	1	-,-	1	15
41	2 610 903 764	Bearing	1	-,-	1	17
45	2 610 902 381	Hex Nut	1	-,-	1	11
51	2 610 904 741	Motor	1	-,-	1	-
57	2 610 348 622	Screw	1	-,-	6	11
652	2 610 903 777	Protective Cap	1	-,-	1	21
653	2 610 903 774	Auxiliary Handle	1	-,-	1	25
654	2 610 904 709	Round Nut M10	1	-,-	1	19
655	2 610 904 706	Clamping-Flange	1	-,-	1	16
656	2 610 904 710	Pin-Type Face-Wrench	1	-,-	1	15
657	2 610 357 504	Single-Head Eng. Wrench	1	-,-	1	15
801	2 610 992 229	Housing	1	-,-	1	28
805	1 619 X00 506	Power supply cord	1	-,-	1	-

Item	Part Number	Description	Illustration	Price	Quantity	Price Group
810	2 610 353 931	Carbon-Brush Set	1	-,-	1	22
856	2 610 992 206	Hex Socket Head Cap Screw	1	-,-	2	12



F012 931 000
Issue 00-11-10
Stand

Fig./Abb. 1

Modifications reserved
Änderungen vorbehalten
Modificaciones reservadas
Salvo modificaciones