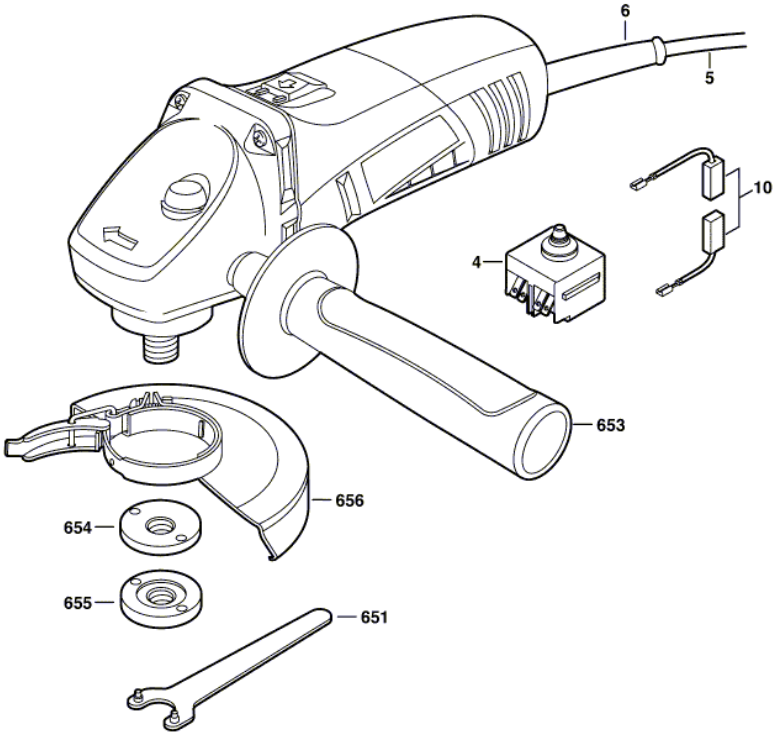


F 012 929 000  
Issue } 06-06-14 Fig./Abb. 1  
Stand }



Änderungen vorbehalten  
Modifications reserved  
Modificacions reservadas  
Salvo modificaciones

Item	Part Number	Description	Illustration	Price	Quantity	Price Group
4	2 610 938 753	On-Off Switch	1	-,-	1	-
5	2 610 938 749	Cord	1	-,-	1	-
6	2 610 938 756	Grommet	1	-,-	1	-
10	2 610 938 712	Carbon-Brush Set	1	-,-	1	22
651	1 607 950 052	Pin-Type Face-Wrench	1	-,-	1	15
653	2 602 025 067	Auxiliary Handle M10, Ø32,5x105 MM	1	-,-	1	15
654	2 610 938 704	Flange	1	-,-	1	-
655	2 610 938 705	Flange	1	-,-	1	-
656	2 610 947 558	Protective Cover	1	-,-	1	-