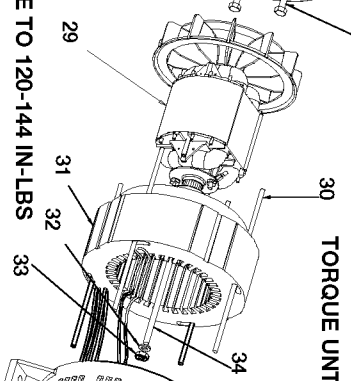


SHOWN FOR  
REFERENCE ONLY

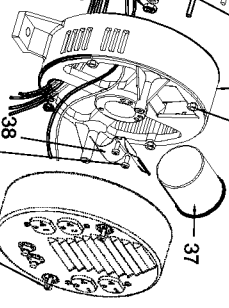
40 ORIENT WITH VENTS DOWNWARD AS SHOWN  
27 TORQUE TO 204-264 IN-LBS  
28



TORQUE TO 120-144 IN-LBS

30 TORQUE UNTIL THREADS RUN OUT

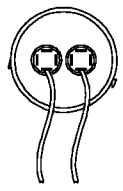
31 TORQUE TO 60-70 IN-LBS  
32  
33  
34



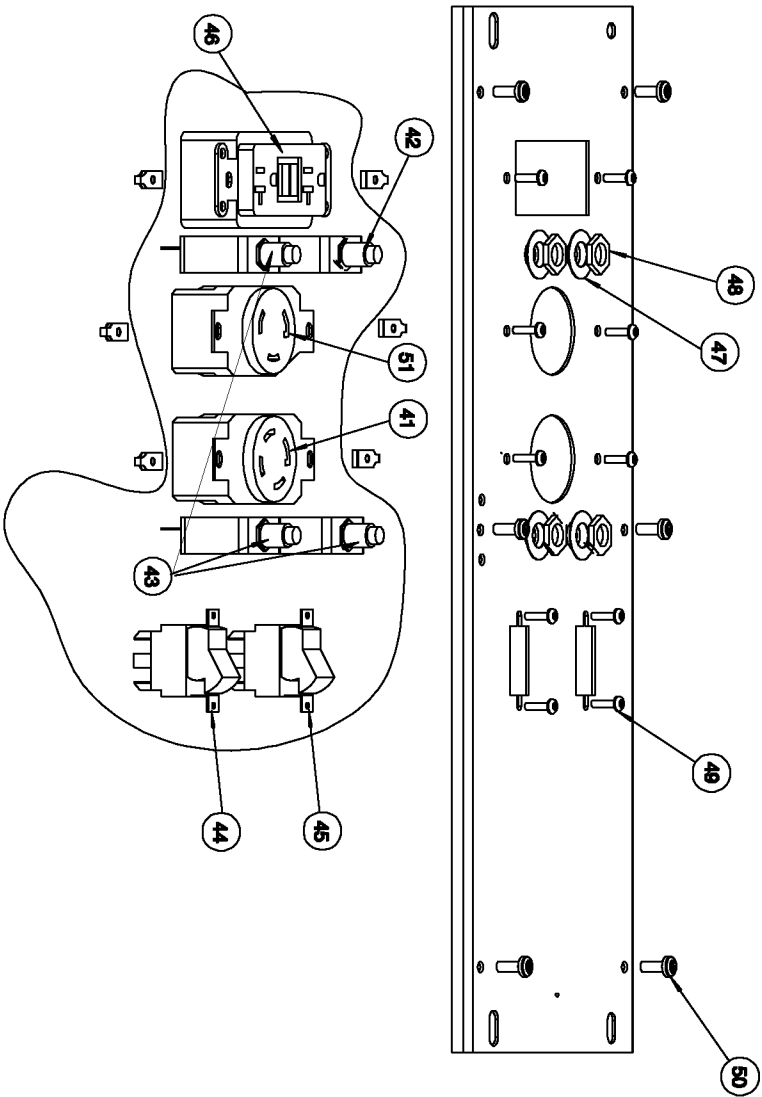
TORQUE TO 30-40 IN-LBS

35 TORQUE TO 60-70 IN-LBS  
36  
37  
38  
39

SHOWN FOR  
REFERENCE ONLY



CAPACITOR WIRING



## Parts List for 919-67958 Type 0

Item Number	Part Number	Description	Qty Required
1	91895680	SCREW .250-20X.750 H	1
2	Z-GS-0795	TANK FUEL 7G SS	1
3	GS-0443	CAP FUEL TANK	1
4	Z-A14582	HOSE FUEL	1
5	GS-0227	CLAMP FUEL .50	1
6	N103455	GROMMET	1
7	GS-0437	DRAIN COCK	1
8	GS-0077	COVER END BLANK	1
9	SSF-553-1	SCREW #10-24X.563 TH	1
11	000000-00	No Longer Available	1
12	SSN-632	WASHER .875 OD .375	1
13	GS-0117	LUG GROUND	1
14	SS-12-CD	SCREW .313-18X.750 H	1
15	SSF-928	SCREW .313-18X.875 H	1
16	SSF-8150	NUT .312-18 UNC HEX	1
17	GS-0033	ISOLATOR VIBRATION 1	1
17	GS-0433	ISOLATOR	1
18	N017772	LOCK WASHER	1
19	GS-0118	STRAP GROUND	1
20	95829230	SCREW .313-18X1.50 H	1
21	000000-00	No Longer Available	1
22	000000-00	No Longer Available	1
23	000000-00	No Longer Available	1
24	330016-13	WASHER	1
25	SSF-575	NUT .250-20 HEX W/KE	1
27	SSN-619	WASHER .375 SPRING L	1
28	5140125-93	SCREW	1

## Parts List for 919-67958 Type 0

Item Number	Part Number	Description	Qty Required
29	Z-D26598	ASSY GEN 2.759 120/2	1
29	D27092	KIT SERVICE FOCUS MO	1
30	000000-00	No Longer Available	1
31	Z-D26598	ASSY GEN 2.759 120/2	1
32	330016-13	WASHER	1
33	SSF-576	NUT .313-24 HEX W/KE	1
34	000000-00	No Longer Available	1
36	SSF-575	NUT .250-20 HEX W/KE	1
37	GS-0592	CAPACITOR 35uF 3% 37	1
38	GS-0595	BRACKET CAPACITOR 2.	1
40	000000-00	No Longer Available	1
41	GS-0455	RECEPTACLE 4 PRONG 3	1
42	Z-GS-0024	BREAKER CIRCUIT 125/	1
43	Z-D20573	BREAKER CIRCUIT 125/	1
44	GS-0045	SWITCH FULL POWER	1
45	GS-0046	SWITCH OFF - ON / ST	1
46	000000-00	No Longer Available	1
47	000000-00	No Longer Available	1
48	SSF-595	NUT .438-28 UNEF HEX	1
49	SSF-583	SCREW #6-32X.500 PAN	1
50	SSF-3156	SCREW #10-9X.500 THD	1
51	GS-0021	RECEPTACLE 125V 30A	1
856	GS-0082	DIODE DSA	1