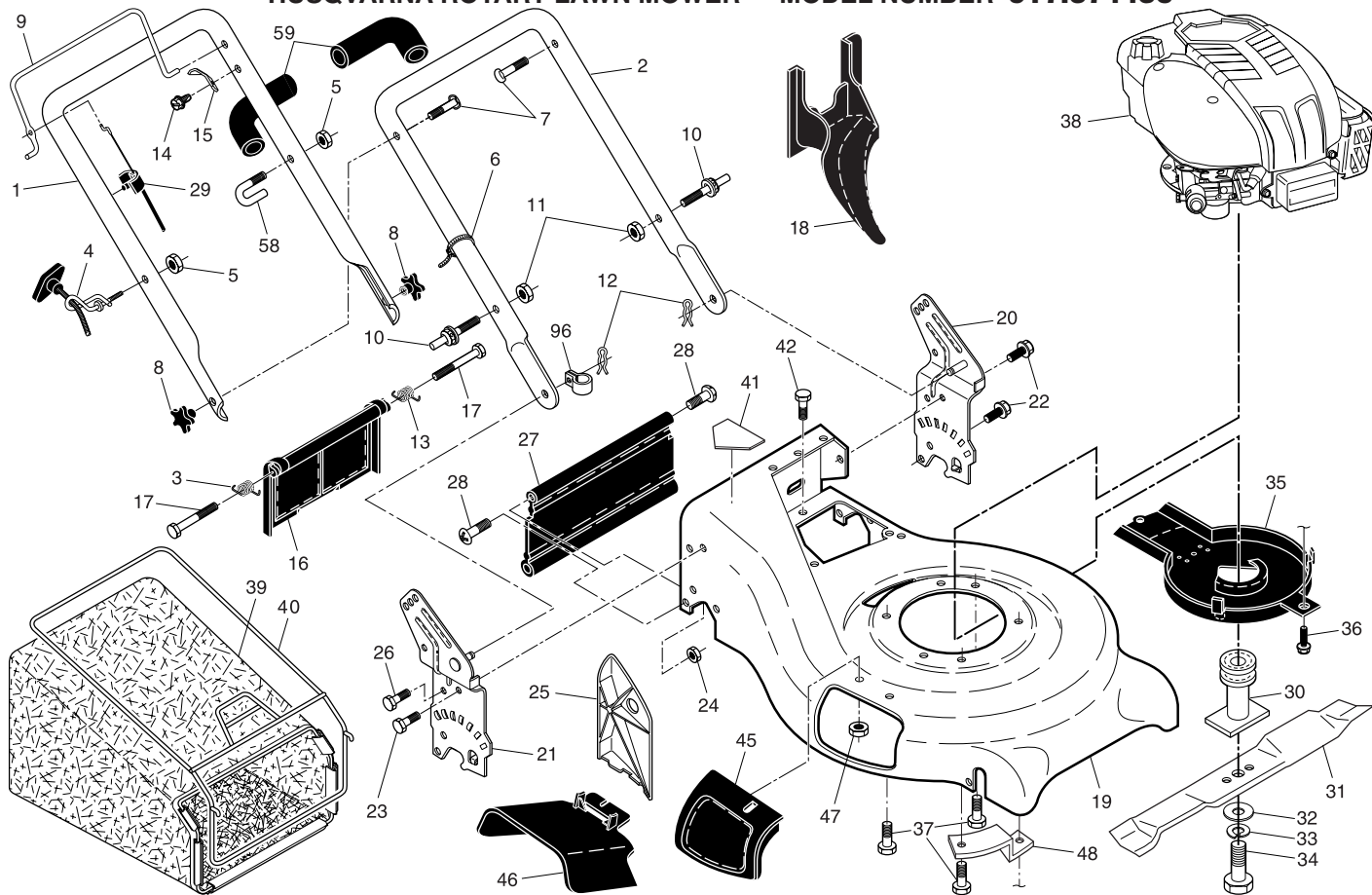


# HUSQVARNA ROTARY LAWN MOWER - - MODEL NUMBER 917.374456



38

REPAIR PARTS

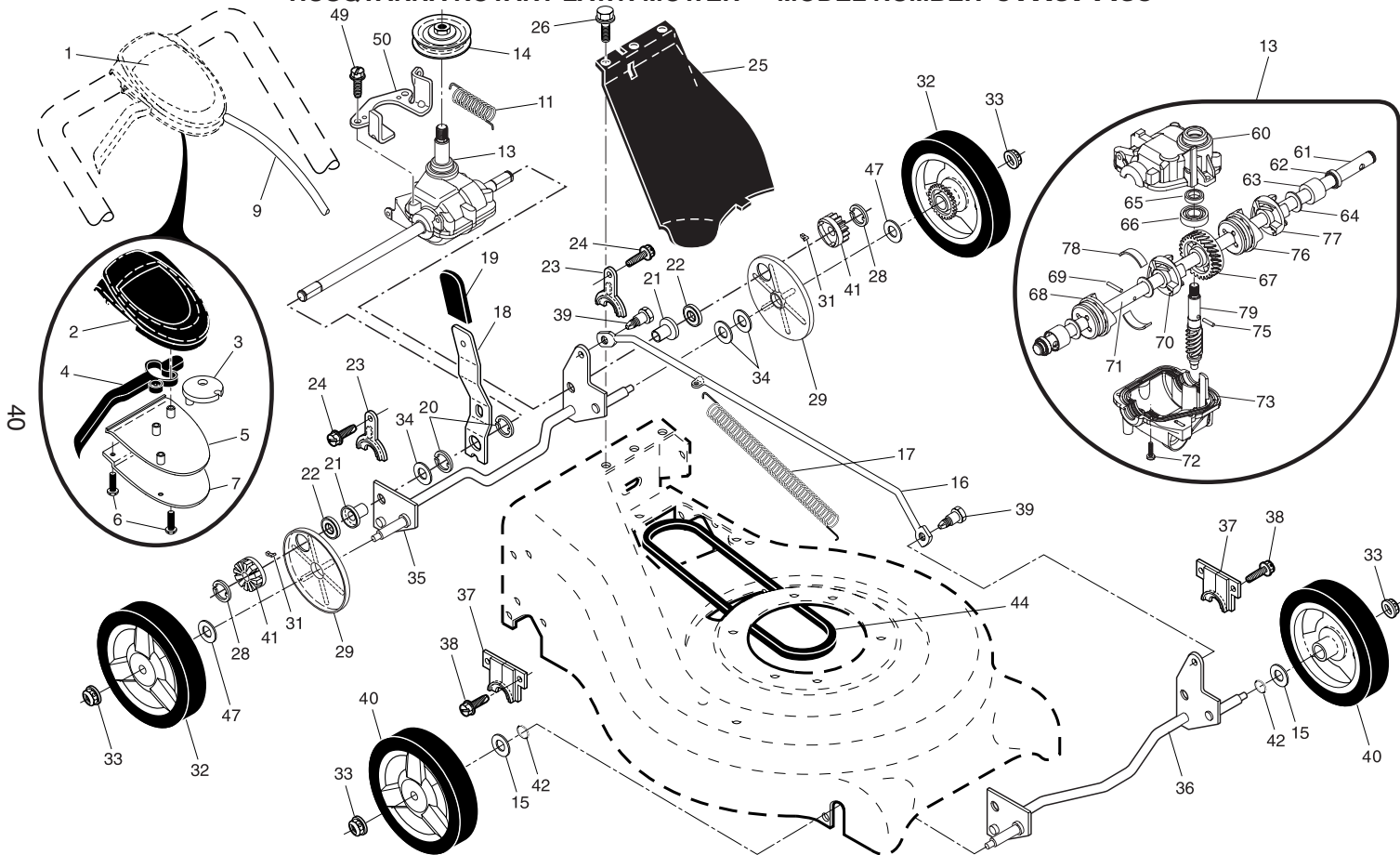
## HUSQVARNA ROTARY LAWN MOWER - - MODEL NUMBER 917.374456

| KEY NO. | PART NO.   | DESCRIPTION                                | KEY NO.   | PART NO.   | DESCRIPTION  |
|---------|------------|--|---|------------|--|
| 1       | 199982     | Upper Handle Assembly (Includes Foam Grip) | 29  | 191221     | Cable, Operator Presence   |
| 2       | 193664X498 | Handle, Lower                              | 30  | 189179     | Blade Adapter / Pulley   |
| 3       | 405416     | Spring, Rear Door, RH                      | 31  | 406712     | Blade, 21"   |
| 4       | 194788     | Rope Guide                                 | 32  | 851074     | Washer   |
| 5       | 132004     | Nut, Hex, with Lockwasher Insert 1/4-20    | 33  | 850263     | Washer, Lock   |
| 6       | 66426      | Wire, Tie                                  | 34  | 851084     | Bolt, Hex Head   |
| 7       | 191574     | Bolt, Handle 5/16-18 x 2-5/8               | 35  | 405843     | Debris Shield  |
| 8       | 185588     | Knob, Handle                               | 36  | 192325     | Bolt   |
| 9       | 194580X422 | Control Bar                                | 37  | 150406     | Bolt, Engine   |
| 10      | 188821     | Pin, Handle Adjustment                     | 38  | - - -      | Engine, Briggs & Stratton, Model Number 128602-1102-E1 (See Breakdown) |
| 11      | 751153     | Nut, Hex                                   |   |            |  |
| 12      | 51793      | Cotter, Hairpin                            | 39  | 409726     | Grassbag   |
| 13      | 405415     | Spring, Rear Door, LH                      | 40  | 411951     | Frame, Grassbag  |
| 14      | 750634     | Screw                                      | 41  | 404763     | Danger Decal   |
| 15      | 850733X004 | Bracket, Upstop                            | 42  | 54583      | Screw  |
| 16      | 401815X428 | Rear Door Assembly                         | 45  | 183058X418 | Mulcher Door Assembly  |
| 17      | 184193     | Bolt, Rear Door                            | 46  | 169699X418 | Discharge Guard  |
| 18      | 198170     | Plug, Mulcher                              | 47  | 88349      | Nut, Hex   |
| 19      | 410453     | Kit, Housing                               | 48  | 188839X004 | Mounting Bracket, Debris Shield  |
| 20      | 193917X422 | Handle Bracket Assembly, LH                | 58  | 182003     | Clip, Packaging  |
| 21      | 193916X422 | Handle Bracket Assembly, RH                | 59  | 182748     | Grip, Foam   |
| 22      | 150078     | Screw, Hex Washer Head                     | 96  | 197991     | Clip, Cable  |
| 23      | 163183     | Bolt, Hex Head 5/16-18 x 5/8               | - -   | 404764     | Warning Decal (not shown)  |
| 24      | 73800500   | Nut, Hex, with Lockwasher Insert 5/16-18   | - -   | 419903     | Owner's Manual, English / Spanish                                      |
| 25      | 161333     | Baffle, Side                               | Available accessories not included with lawn mower: |            |  |
| 26      | 163409     | Screw, Hi-Lo Thread #12 x 5/8              | - -   | 71 33623   | Gas Can (2.5 Gallon Container)   |
| 27      | 408442     | Skirt, Rear                                | - -   | 71 33500   | Fuel Stabilizer  |
| 28      | 88652      | Screw, Hinge 1/4-20 x 1.25                 | - -   | 71 33000   | SAE 30W Oil (20 Ounce Bottle)  |

**NOTE:** All component dimensions given in U.S. inches. 1 inch = 25.4 mm.

**IMPORTANT:** Use only Original Equipment Manufacturer (O.E.M.) replacement parts. Failure to do so could be hazardous, damage your lawn mower and void your warranty.

# HUSQVARNA ROTARY LAWN MOWER - - MODEL NUMBER 917.374456



40

## HUSQVARNA ROTARY LAWN MOWER - - MODEL NUMBER 917.374456

| KEY NO. | PART NO.   | DESCRIPTION                           | KEY NO. | PART NO.   | DESCRIPTION                            | KEY NO. | PART NO.   | DESCRIPTION            |
|---------|------------|---------------------------------------|---------|------------|--|---------|------------|------------------------|
| 1       | 407344     | Drive Control Assembly                | 25      | 199775X418 | Cover Drive                            | 47      | 67725      | Washer, Flat           |
| 2       | 406260X460 | Cover, Top                            | 26      | 750634     | Screw, Threaded, Rolled #10-25 x .50   | 49      | 163409     | Screw, Hi-Lo Thread    |
| 3       | 406262     | Pulley                                |         |            |  | 50      | 404832X004 | Belt Keeper            |
| 4       | 190039     | Lever, Drive Control                  | 28      | 12000058   | E-Ring 7/16                            | 60      | 412736     | Case, Upper            |
| 5       | 406261X460 | Cover, Bottom                         | 29      | 189403     | Cover, Dust, Wheel                     | 61      | 412757     | Shaft, Output, Long    |
| 6       | 181698     | Screw                                 | 31      | 404845     | Pawl                                   | 62      | 183508     | Seal, Output Shaft     |
| 7       | 400235X479 | Mounting Bracket                      | 32      | 405746X460 | Wheel & Tire Assembly, Rear 8 x 1-3/4  | 63      | 183511     | Bushing                |
| 9       | 406258     | Cable, Drive                          |         |            |  | 64      | 183509     | Washer                 |
| 11      | 406558     | Spring, Return                        | 33      | 409148     | Nut, Flangelock 3/8-16                 | 65      | 183514     | Seal, Worm Shaft       |
| 13      | 404839     | Gear Case Assembly                    | 34      | 851226     | Washer                                 | 66      | 183506     | Bearing, Ball          |
| 14      | 193443     | Pulley, Drive                         | 35      | 403102X004 | Shaft Assembly, Rear                   | 67      | 412742     | Gear, 28 Teeth         |
| 15      | 88348      | Washer, Flat                          | 36      | 407175X004 | Shaft Assembly, Front                  | 68      | 412739     | Fixed Dog Clutch, LH   |
| 16      | 407147     | Rod, Connecting                       | 37      | 161463     | Retainer, Front Shaft                  | 69      | 412741     | Pin, Output Shaft      |
| 17      | 409616     | Spring, Extension                     | 38      | 163409     | Screw #12 x 5/8                        | 70      | 412740     | Movable Dog Clutch, LH |
| 18      | 418835X004 | Spring, Selector                      | 39      | 407059     | Bolt, Shoulder, Semi-Gimlett Point     | 71      | 412756     | Shaft, Output, Short   |
| 19      | 189808X418 | Knob, Selector Spring                 |         |            |  | 72      | 183513     | Screw, Case            |
| 20      | 12000022   | E-Ring 7/8                            | 40      | 401273X460 | Wheel & Tire Assembly, Front 8 x 1-3/4 | 73      | 412747     | Case, Lower            |
| 21      | 404838     | Bearing, Support                      |         |            |  | 75      | 412746     | Pin, Worm Shaft        |
| 22      | 191039     | Bearing, Ball                         | 41      | 404835     | Pinion                                 | 76      | 412743     | Movable Dog Clutch, RH |
| 23      | 161118X004 | Retainer, Drive Assembly              | 42      | 197480     | O-Ring                                 | 77      | 412744     | Fixed Dog Clutch, RH   |
| 24      | 17060410   | Screw, Tapping, Hex Head 1/4-20 x 3/4 | 44      | 406580     | V-Belt                                 | 78      | 410731     | Spring, Leaf           |
|         |            |                                       |         |            |  | 79      | 412737     | Shaft, Worm            |

41

**NOTE:** All component dimensions given in U.S. inches. 1 inch = 25.4 mm.

**IMPORTANT:** Use only Original Equipment Manufacturer (O.E.M.) replacement parts. Failure to do so could be hazardous, damage your lawn mower and void your warranty.