



# Illustrated Parts List

## Model Series

# 91200

TYPE NUMBERS  
0002 through 1385.

### TABLE OF CONTENTS

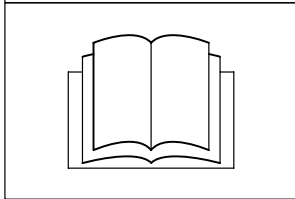
Air Cleaner .....	7
Blower Housing/Shrouds .....	9
Camshaft .....	3
Carburetor .....	5
Carburetor Overhaul Kit .....	5
Controls .....	6
Crankcase Cover/Sump .....	3
Crankshaft .....	3
Cylinder .....	2
Cylinder Head .....	2
Exhaust System .....	7
Flywheel .....	8
Fuel Supply .....	5
Gasket Set - Engine .....	2
Gasket Set - Valve .....	2
Gear Reduction .....	4
Governor Spring .....	6
Ignition .....	6
Piston/Rings/Connecting Rod .....	3
Rewind Starter .....	8
Rewind Starter/Blower Housing .....	9

PRINTED IN U.S.A.

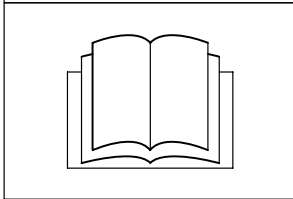


COPYRIGHT by BRIGGS & STRATTON CORPORATION  
All rights reserved. No part of this material may be reproduced or transmitted, in any form or by any means, electronic or mechanical, including photocopying, recording or by any information storage and retrieval system, without permission in writing from Briggs & Stratton Corporation.

1058 OPERATOR'S MANUAL



1330 REPAIR MANUAL

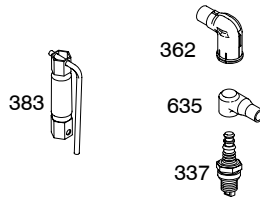
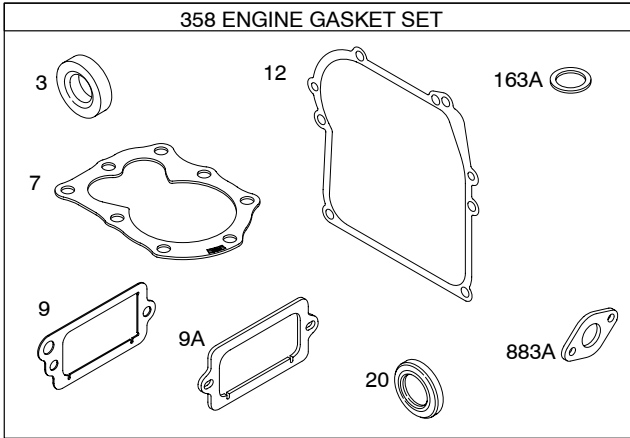


1319 WARNING LABEL

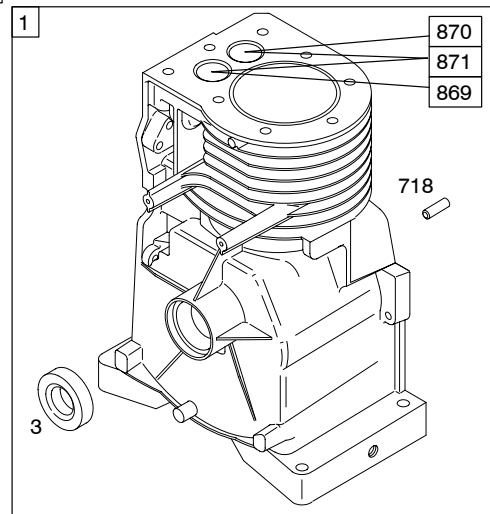
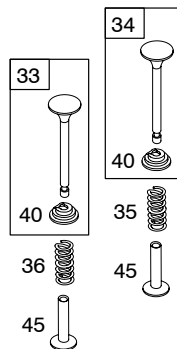
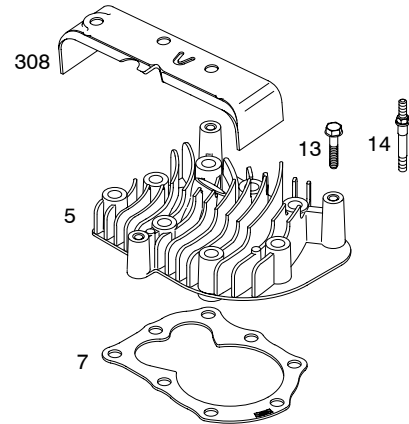
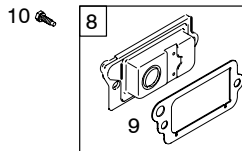
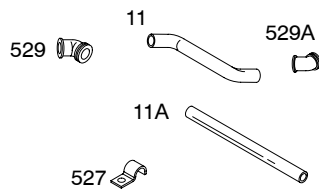
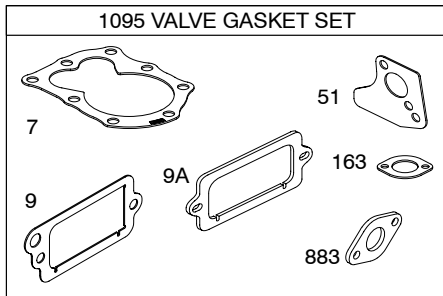
<b>WARNING</b>	
	Read and follow Operating instructions before running engine.
	Gasoline is flammable. Allow engine to cool at least 2 minutes before refueling.
	Engines emit carbon monoxide, <b>DO NOT</b> run in enclosed area.
	Muffler area temperature may exceed 150°F. Do not touch hot parts.

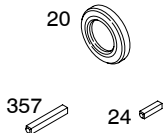
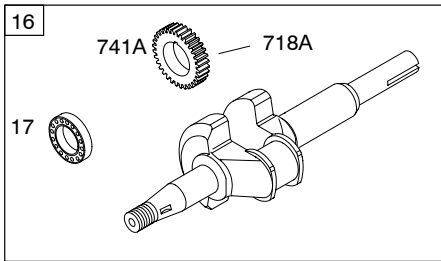
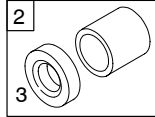
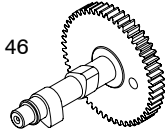
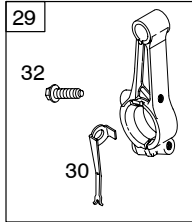
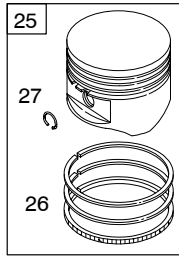
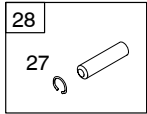
**REQUIRED** when replacing parts with warning labels affixed.

358 ENGINE GASKET SET

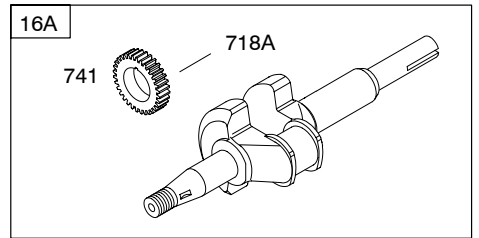


1095 VALVE GASKET SET



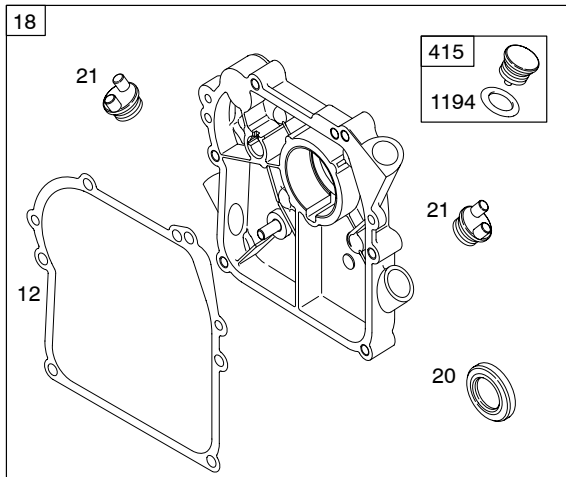


Timing Mark is a Circle ○

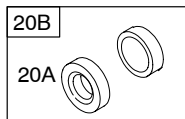
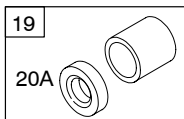
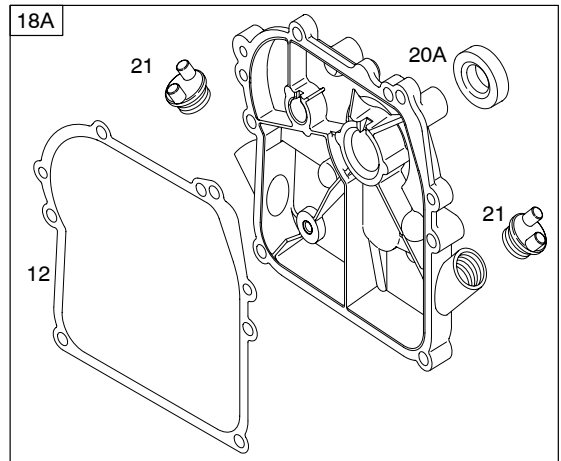


Timing Mark is an Oval ○

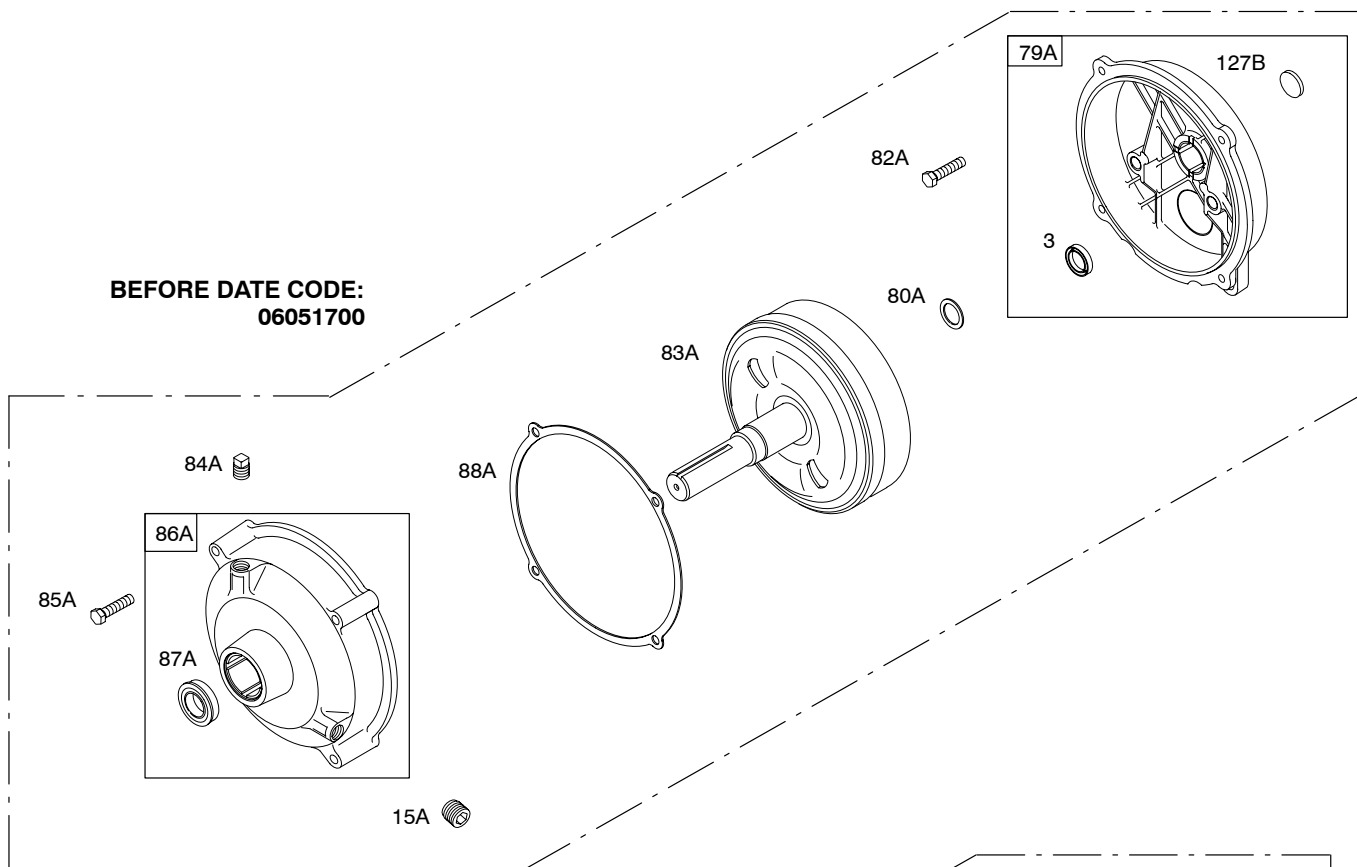
**BALL BEARING**



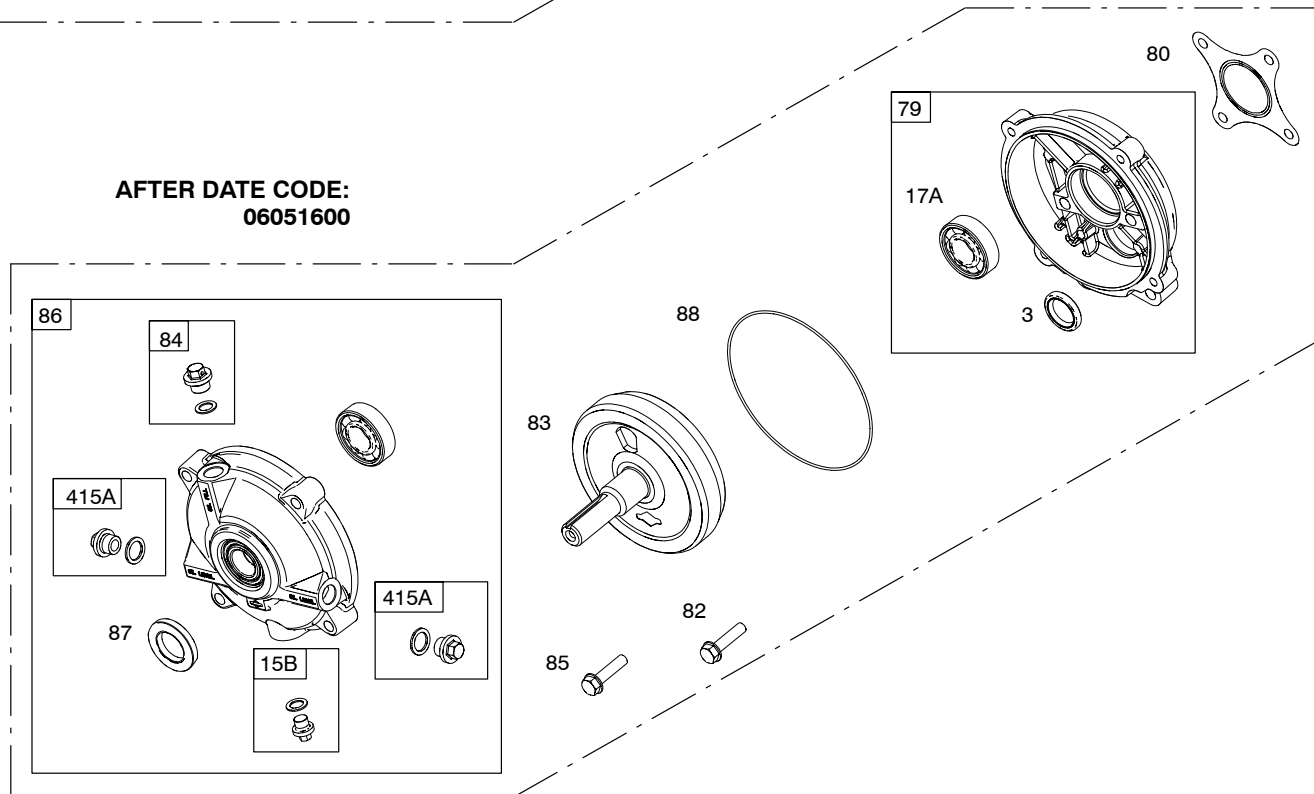
**PLAIN BEARING**

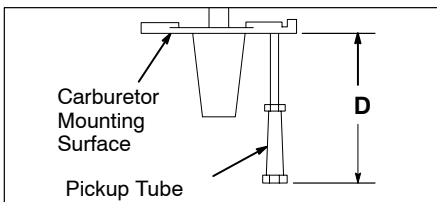
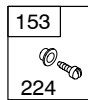
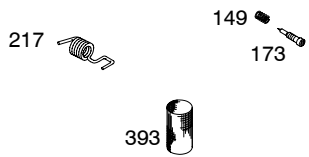
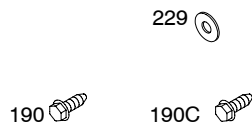
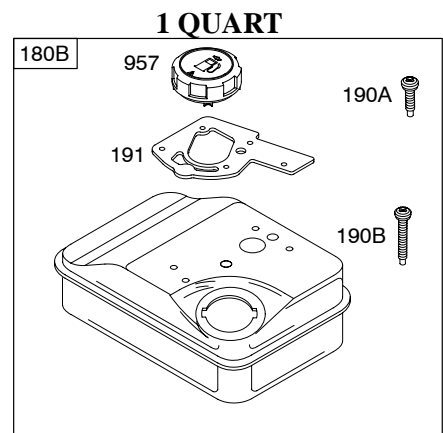
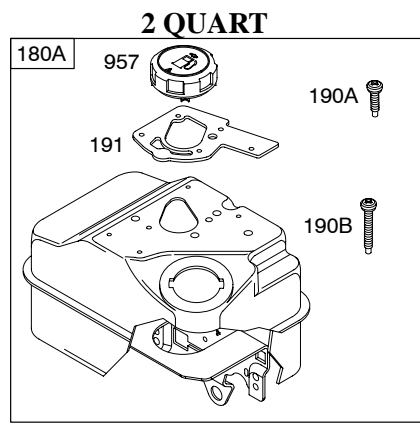
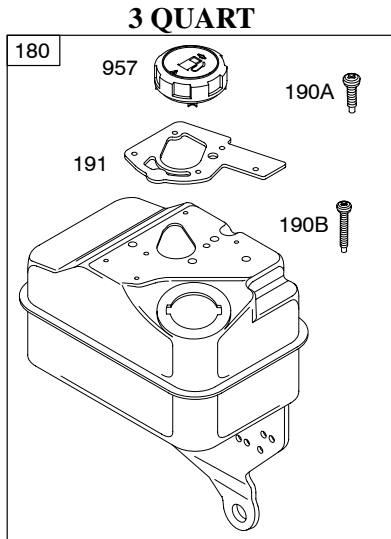


**BEFORE DATE CODE:  
06051700**



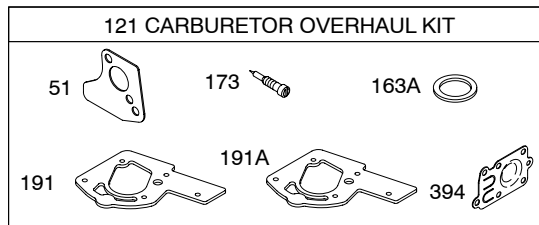
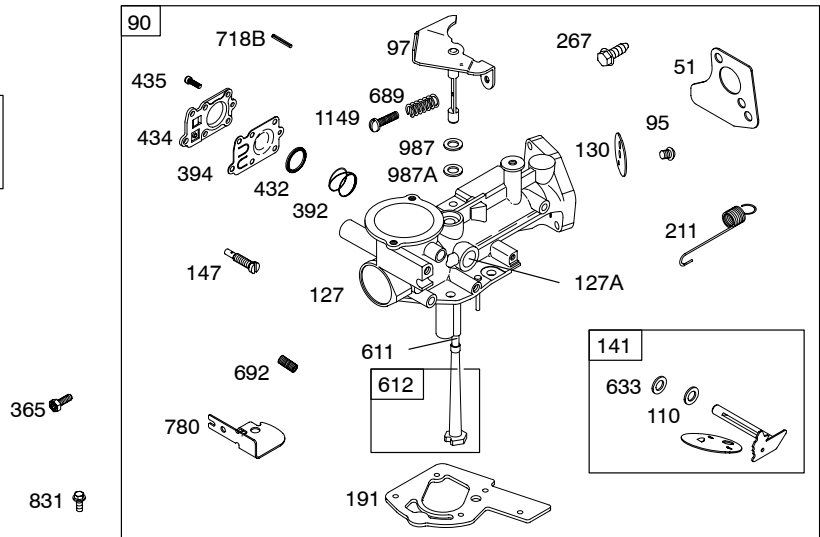
**AFTER DATE CODE:  
06051600**

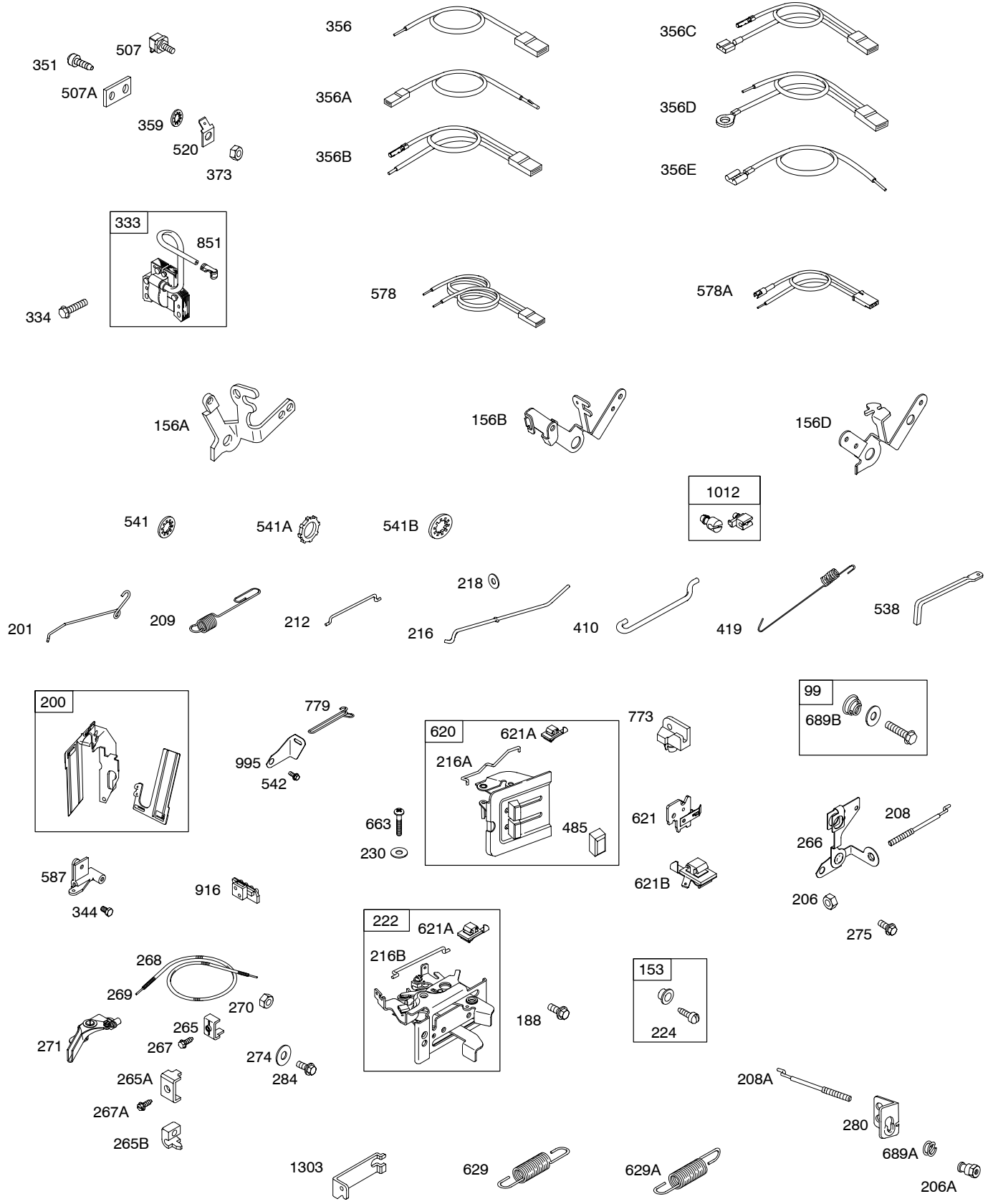


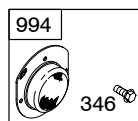
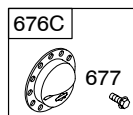
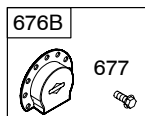
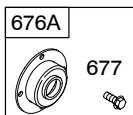
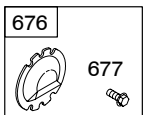
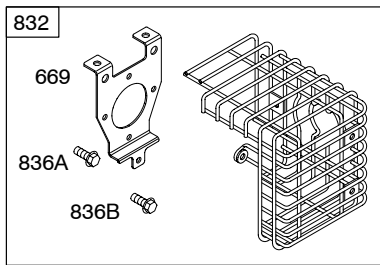
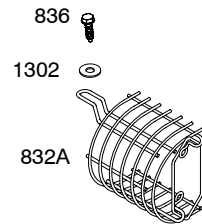
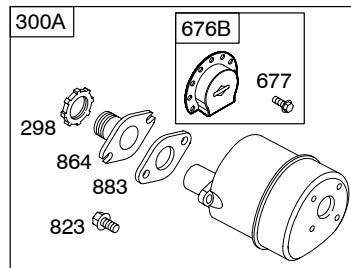
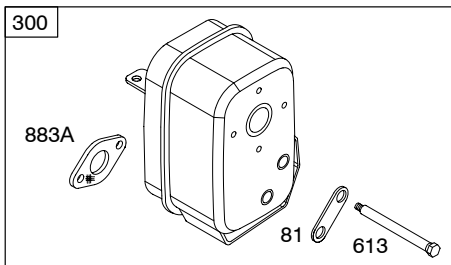
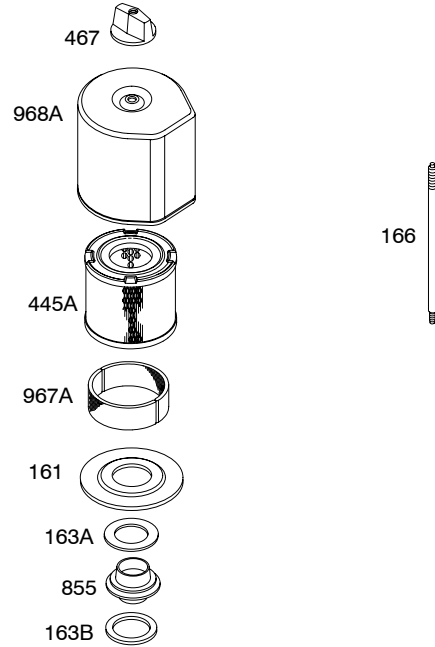
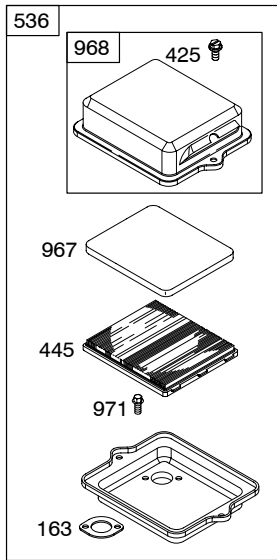


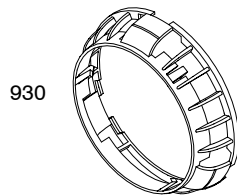
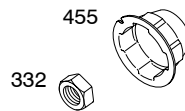
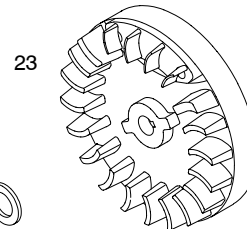
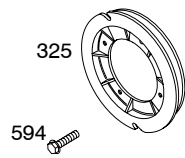
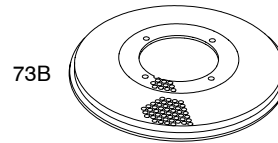
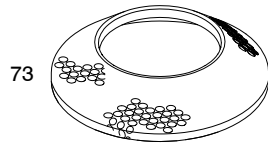
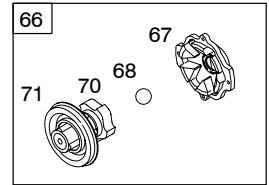
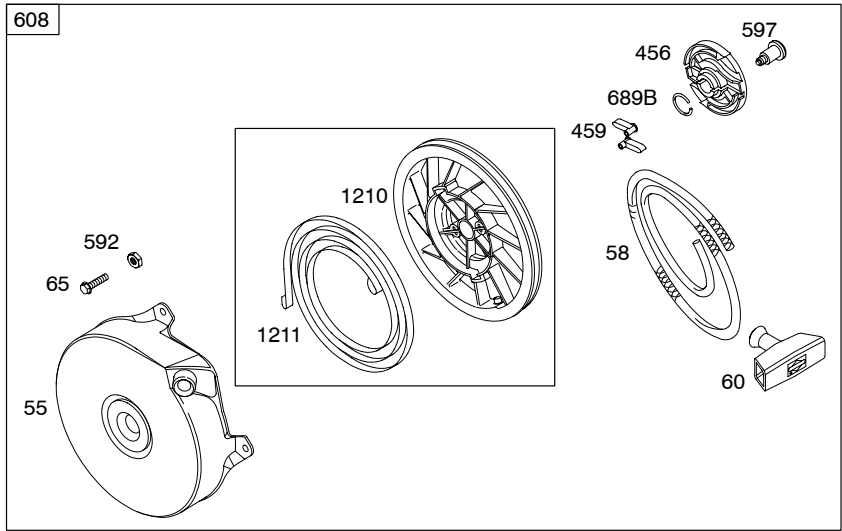
To replace carburetor assembly, determine fuel tank capacity as shown.

Fuel Tank Capacity (Quarts)	1	2	3
D (Inches)	2-5/16	4-1/4	4-7/8

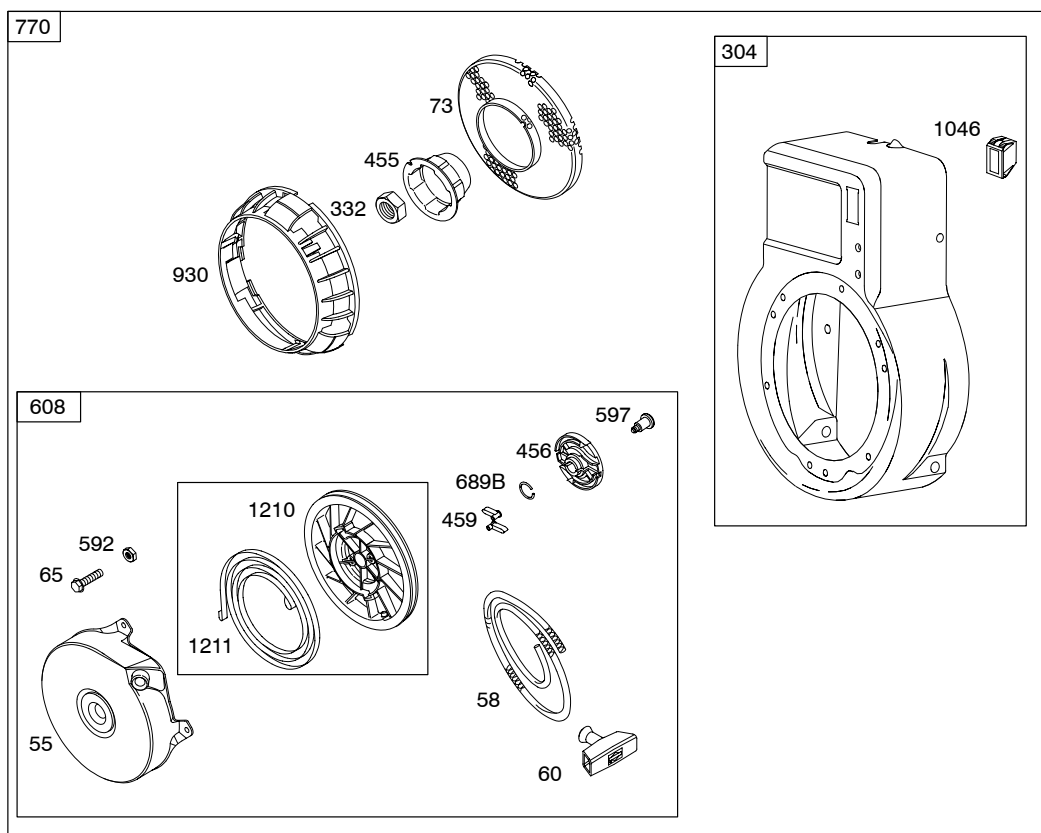




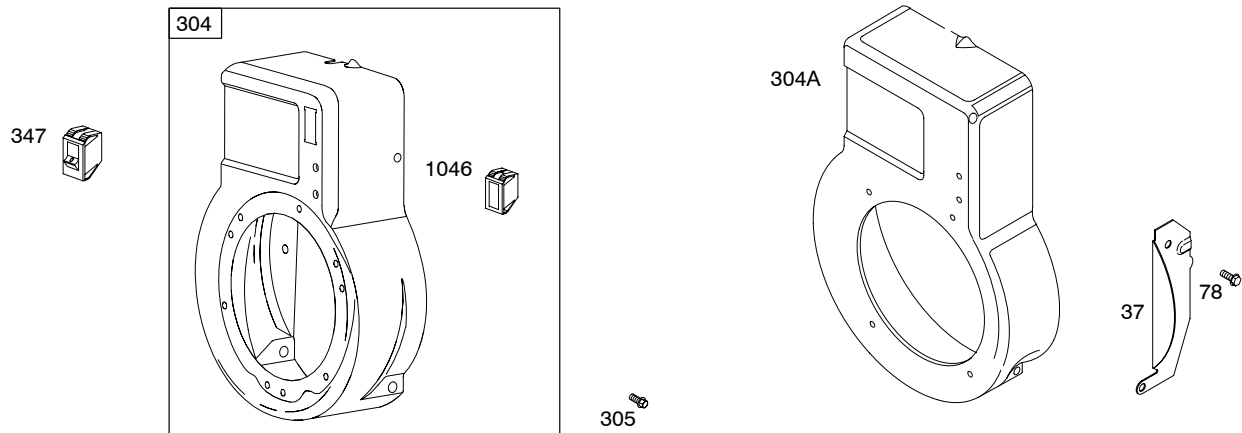








1036 EMISSIONS LABEL



# 91200

REF. NO.	PART NO.	DESCRIPTION	REF. NO.	PART NO.	DESCRIPTION	REF. NO.	PART NO.	DESCRIPTION
1	494549	Cylinder Assembly			----- <b>Note</b> -----			<b>495210</b> Crankshaft
2	399269	Kit-Bushing/Seal (Magneto Side)			<b>493633</b> Crankshaft			Used on Type No(s). 0024, 0036, 0052, 0062, 0063, 0117, 0175, 0204, 0208.
3	*299819S	Seal-Oil (Magneto Side)			Used on Type No(s). 0014, 0020, 0034, 0035, 0038, 0061, 0068, 0105, 0107, 0114, 0115, 0116, 0118, 0133, 0134, 0145, 0153, 0155, 0156, 0162, 0174, 0181, 0188, 0191, 0192, 0201, 0203, 0206, 0207, 0210, 0223, 0225, 0335, 0354, 0676.			<b>493599</b> Crankshaft
5	790169	Head-Cylinder			<b>791417</b> Crankshaft			Used on Type No(s). 0005, 0049, 0050, 0108, 0139, 0165, 0178, 0183.
7	*Δ698717	Gasket-Cylinder Head			(Used Before Code Date 05110900).			<b>793153</b> Crankshaft
8	791779	Breather Assembly			Used on Type No(s). 1040, 1286, 1353.			Used on Type No(s). 1002, 1005, 1013, 1017, 1025, 1220, 1226, 1235, 1244, 1251, 1327, 1354, 1356, 1359, 1366, 1368, 1371.
9	Δ695890	Gasket-Breather (Used After Code Date 03031900).			<b>791418</b> Crankshaft			(Used Before Code Date 06051700).
9A	*Δ27549S	Gasket-Breather (Used Before Code Date 03032000).			Used on Type No(s). 1036, 1052, 1062, 1063, 1304, 1308.			Used on Type No(s). 1049, 1208, 1239, 1250, 1259, 1278.
10	691666	Screw (Breather Assembly)			<b>497232</b> Crankshaft			(Used After Code Date 05110800).
11	692528	Tube-Breather			Used on Type No(s). 0003, 0013, 0017, 0018, 0040, 0064, 0067, 0119, 0123, 0127, 0128, 0129, 0131, 0135, 0144, 0146, 0149, 0150, 0151, 0160, 0172, 0186, 0189, 0198, 0209, 0214, 0227, 0609, 0616, 0620, 0649.			<b>793154</b> Crankshaft
11A	231550	Tube-Breather			<b>791422</b> Crankshaft			(Used Before Code Date 06051700).
12	*692218	Gasket-Crankcase (.015" Thick) (Standard)			Used on Type No(s). 1035, 1047, 1054, 1061, 1205, 1207, 1213, 1214, 1218, 1224, 1227, 1229, 1253, 1265, 1298, 1323, 1325, 1328, 1332, 1363, 1365, 1369, 1378.			Used on Type No(s). 1319, 1372.
		----- <b>Note</b> -----			<b>793155</b> Crankshaft			(Used Before Code Date 05110900).
		*270895 Gasket- Crankcase (.005" Thick)			Used on Type No(s). 1036, 1052, 1062, 1063, 1304, 1308.			Used on Type No(s). 1049, 1208, 1239, 1250, 1259, 1278.
		*270896 Gasket- Crankcase (.009" Thick)			<b>497232</b> Crankshaft			(Used After Code Date 05110800).
13	691640	Screw (Cylinder Head)			Used on Type No(s). 0003, 0013, 0017, 0018, 0040, 0064, 0067, 0119, 0123, 0127, 0128, 0129, 0131, 0135, 0144, 0146, 0149, 0150, 0151, 0160, 0172, 0186, 0189, 0198, 0209, 0214, 0227, 0609, 0616, 0620, 0649.			Used on Type No(s). 1040, 1353.
14	690361	Stud (Cylinder Head)			<b>793159</b> Crankshaft			(Used After Code Date 05110800).
15	691686	Plug-Oil Drain			Used on Type No(s). 1036, 1052, 1062, 1063, 1304, 1308.			Used on Type No(s). 1040, 1353.
15A	691682	Plug-Oil Drain			<b>793157</b> Crankshaft			(Used After Code Date 05110800).
15B	792750	Plug-Oil Drain (Gear Cover) (Used After Code Date 06051600).			Used on Type No(s). 1035, 1047, 1054, 1061, 1205, 1207, 1213, 1214, 1218, 1224, 1227, 1229, 1253, 1265, 1298, 1323, 1325, 1328, 1332, 1363, 1365, 1369, 1378.			Used on Type No(s). 1036, 1052, 1062, 1063, 1304, 1308.
16	791421	Crankshaft (Used Before Code Date 05110900). Used on Type No(s). 0800, 1014, 1020, 1034, 1035, 1047, 1054, 1061, 1205, 1207, 1213, 1214, 1215, 1218, 1224, 1227, 1229, 1234, 1253, 1265, 1298, 1310, 1323, 1325, 1328, 1332, 1362, 1363, 1364, 1365, 1369, 1375, 1378.	16A	793152	Crankshaft ----- <b>Note</b> ----- <b>792229</b> Crankshaft Used on Type No(s). 1292, 1367, 1377, 1380. <b>793151</b> Crankshaft Used on Type No(s). 1209, 1231, 1249, 1309. <b>493632</b> Crankshaft Used on Type No(s). 0219, 0619.			<b>793160</b> Crankshaft (Used After Code Date 05110800). Used on Type No(s). 1035, 1047, 1054, 1061, 1205, 1207, 1213, 1214, 1218, 1224, 1227, 1229, 1253, 1265, 1298, 1323, 1325, 1328, 1332, 1363, 1365, 1369, 1378. <b>792884</b> Crankshaft (Used After Code Date 06051600). Used on Type No(s). 1049, 1208, 1239, 1250, 1259, 1278.

★ Engine Gasket Set-Reference 358  
● Carburetor Overhaul Kit-Reference 121

△ Valve Gasket Set-Reference 1095

REF. NO.	PART NO.	DESCRIPTION	REF. NO.	PART NO.	DESCRIPTION	REF. NO.	PART NO.	DESCRIPTION
17	690824	Bearing-Ball	19	399269	Kit-Bushing/Seal (PTO Side)	23	690843	Flywheel
17A	99158	Bearing-Ball (Gear Reduction Case) (Used After Code Date 06051600).	20	692020	Seal-Oil (PTO Side) (Ball Bearing Cover)			----- <b>Note</b> ----- <b>699573</b> Flywheel Used on Type No(s). 0119, 0128, 0129, 0149, 0151, 0153, 0161, 0209, 0214, 0609, 0616, 0620, 0649, 1209, 1212, 1220, 1231, 1249, 1251, 1253, 1309, 1314, 1353, 1354. <b>692009</b> Flywheel Used on Type No(s). 0117, 1217, 1367.
18	792232	Cover-Crankcase (Ball Bearing Cover) (Used After Code Date 05110800). ----- <b>Note</b> ----- <b>497502</b> Cover- Crankcase (Ball Bearing Cover) (Used Before Code Date 05110900).	20A	299819S	Seal-Oil (PTO Side) (Plain Bearing Cover)	24	222698S	Key-Flywheel
18A	699406	Cover-Crankcase (Plain Bearing Cover) ----- <b>Note</b> ----- <b>496679</b> Cover- Crankcase (Plain Bearing Cover) Used on Type No(s). 0002, 0003, 0004, 0005, 0022, 0042, 0049, 0050, 0060, 0108, 0121, 0125, 0136, 0137, 0138, 0139, 0140, 0142, 0143, 0148, 0157, 0158, 0159, 0161, 0165, 0167, 0168, 0171, 0172, 0176, 0178, 0183, 0189, 0190, 0192, 0193, 0196, 0197, 0202, 0205, 0212, 0213, 0219, 0249, 0619, 1002, 1022, 1025, 1042, 1049, 1060, 1208, 1221, 1226, 1237, 1239, 1240, 1250, 1251, 1257, 1259, 1267, 1269, 1278, 1289, 1290, 1292, 1296, 1302, 1305, 1313, 1319, 1331, 1356, 1360, 1366, 1367, 1368, 1370, 1377, 1379, 1380, 1381.	20B	691356	Seal-Oil (PTO Side) Used on Type No(s). 0212, 1366.	25	790908	Piston Assembly (Standard) (Used After Code Date 96012800). ----- <b>Note</b> ----- <b>793214</b> Piston Assembly (Standard) (Used Before Code Date 96012900).
			21	281658S	Cap-Oil Fill			<b>298906</b> Piston Assembly (.020" Oversize) (Used Before Code Date 96012900).
			22	691129	Screw (Crankcase Cover/ Sump) (1 1/4" Long) ----- <b>Note</b> ----- <b>693732</b> Screw (Crankcase Cover/ Sump) (Used in Positions 1 and 6) (7/8" Long) Used on Type No(s). 1002, 1022, 1025, 1042, 1049, 1060, 1208, 1221, 1226, 1230, 1237, 1239, 1240, 1250, 1251, 1257, 1259, 1267, 1269, 1278, 1290, 1292, 1302, 1305, 1319, 1331, 1356, 1360, 1366, 1367, 1368, 1370, 1377, 1379, 1380, 1381.			<b>298907</b> Piston Assembly (.030" Oversize) (Used Before Code Date 96012900).

★ Engine Gasket Set-Reference 358  
● Carburetor Overhaul Kit-Reference 121

△ Valve Gasket Set-Reference 1095

# 91200

REF. NO.	PART NO.	DESCRIPTION	REF. NO.	PART NO.	DESCRIPTION	REF. NO.	PART NO.	DESCRIPTION
<b>26</b>	<b>790909</b>	Ring Set (Standard) (Used After Code Date 05051800). ----- <b>Note</b> ----- <b>695169</b> Ring Set (Standard) (Used After Code Date 99103100 and Before Code Date 05051900). <b>498680</b> Ring Set (Standard) (Used After Code Date 96012800 and Before Code Date 99110100). <b>298982</b> Ring Set (Standard) (Used Before Code Date 96012900).  <b>695171</b> Ring Set (.010" Oversize) (Used After Code Date 99103100 and Before Code Date 05051900).  <b>695172</b> Ring Set (.020" Oversize) (Used After Code Date 99103100 and Before Code Date 05051900). <b>498682</b> Ring Set (.020" Oversize) (Used After Code Date 96012800 and Before Code Date 99110100). <b>298984</b> Ring Set (.020" Oversize) (Used Before Code Date 96012900).  <b>498683</b> Ring Set (.030" Oversize)			(Used After Code Date 96012800 and Before Code Date 99110100). <b>27</b> <b>691588</b> Lock-Piston Pin <b>28</b> <b>699659</b> Pin-Piston (Standard) (Used After Code Date 05051800). ----- <b>Note</b> ----- <b>298909</b> Pin-Piston (Standard) (Used Before Code Date 05051900). <b>298908</b> Pin-Piston (.005" Oversize) (Used Before Code Date 05051900). <b>29</b> <b>699655</b> Rod-Connecting (Standard) <b>30</b> <b>691719</b> Dipper-Connecting Rod <b>32</b> <b>691664</b> Screw (Connecting Rod) <b>33</b> <b>296676</b> Valve-Exhaust ----- <b>Note</b> ----- <b>497871</b> Valve-Exhaust Used on Type No(s). 0063, 0127, 0204, 1063. <b>34</b> <b>296677</b> Valve-Intake <b>35</b> <b>690520</b> Spring-Valve (Intake) <b>36</b> <b>690520</b> Spring-Valve (Exhaust) ----- <b>Note</b> ----- <b>691838</b> Spring-Valve (Exhaust) (Used After Code Date 92122000 and Before Code Date 93110100). Used on Type No(s). 0063, 0127.			<b>37</b> <b>690463</b> Guard-Flywheel <b>40</b> <b>692194</b> Retainer-Valve <b>45</b> <b>691762</b> Tappet-Valve <b>46</b> <b>691998</b> Camshaft <b>51</b> ★△ <b>273113S</b> Gasket-Intake <b>55</b> <b>692144</b> Housing-Rewind Starter <b>58</b> <b>691921</b> Rope-Starter (70" Long) ----- <b>Note</b> ----- <b>697316</b> Rope-Starter (88 5/8" Long) Used on Type No(s). 0680, 0800, 1237, 1369, 1370. <b>60</b> <b>691915</b> Grip-Starter Rope <b>65</b> <b>690837</b> Screw (Rewind Starter) <b>66</b> <b>399671</b> Clutch-Starter (Used Before Code Date 98123100). <b>67</b> <b>394897</b> Clutch-Housing <b>68</b> <b>691604</b> Ball-Clutch <b>70</b> <b>691945</b> Ratchet-Clutch <b>71</b> <b>691359</b> Cover-Ratchet <b>73</b> <b>699850</b> Screen-Rotating (Used After Code Date 02060200). <b>73B</b> <b>691725</b> Screen-Rotating (Used Before Code Date 02060100). <b>74</b> <b>94058</b> Screw (Rotating Screen) <b>75</b> <b>691736</b> Washer (Flywheel) <b>78</b> <b>690364</b> Screw (Flywheel Guard) <b>79</b> <b>792746</b> Case-Gear Reduction (Used After Code Date 06051600). <b>79A</b> <b>690605</b> Case-Gear Reduction (Used Before Code Date 06051700).

★ Engine Gasket Set-Reference 358  
● Carburetor Overhaul Kit-Reference 121

△ Valve Gasket Set-Reference 1095

REF. NO.	PART NO.	DESCRIPTION	REF. NO.	PART NO.	DESCRIPTION	REF. NO.	PART NO.	DESCRIPTION
80	792755	Gasket–Gear Case (Used After Code Date 06051600).	83A	690374	Shaft–Auxiliary Drive (Used Before Code Date 06051700).	86	792748	Cover–Gear (Used After Code Date 06051600).
80A	691602	Gasket–Gear Case (Used Before Code Date 06051700).	84	792759	Plug–Breather (Used After Code Date 06051600).	86A	690608	Cover–Gear (Used Before Code Date 06051700).
81	691179	Lock–Muffler Screw	84	691121	Plug–Breather (Used Before Code Date 06051700).	87	792752	Seal–Gear Reduction (Used After Code Date 06051600).
82	792753	Screw (Gear Reduction Case) (1 1/3" Long) (Used After Code Date 06051600).	85	690711	Screw (Gear Cover to Gear Reduction Case) (1 1/2" Long) (Used After Code Date 06051600).	87A	691582	Seal–Gear Reduction (Used Before Code Date 06051700).
82A	690369	Screw (Gear Reduction Case) (7/8" Long) (Used Before Code Date 06051700).	85A	692551	Screw (Gear Cover to Gear Reduction Case) (1 3/16" Long) (Used Before Code Date 06051700).	88	792760	Gasket–Gear Reduction Cover (Used After Code Date 06051600).
		----- <b>Note</b> ----- <b>699164</b> Screw (Gear Reduction Case) (1 1/2" Long) (Used Before Code Date 06051700).				88A	691600	Gasket–Gear Reduction Cover (Used Before Code Date 06051700).
83	792756	Shaft–Auxiliary Drive (Gear Reduction Case) (Used After Code Date 06051600).						

★ Engine Gasket Set–Reference 358  
● Carburetor Overhaul Kit–Reference 121

△ Valve Gasket Set–Reference 1095

# 91200

REF. NO.	PART NO.	DESCRIPTION	REF. NO.	PART NO.	DESCRIPTION	REF. NO.	PART NO.	DESCRIPTION
90	499952	Carburetor (2 Quart Tank) (Air Vane) (Used After Code Date 98082300). Used on Type No(s). 1014, 1016, 1017, 1022, 1035, 1036, 1040, 1049, 1212, 1213, 1214, 1220, 1229, 1230, 1234, 1237, 1240, 1241, 1244, 1249, 1250, 1253, 1258, 1259, 1264, 1265, 1267, 1269, 1278, 1286, 1290, 1298, 1300, 1305, 1309, 1310, 1325, 1328, 1331, 1332, 1360, 1361, 1363, 1369, 1370, 1372, 1379, 1381, 1383. ----- <b>Note</b> ----- <b>499491</b> Carburetor (2 Quart Tank) (Air Vane) (Used Before Code Date 98082400). Used on Type No(s). 1014, 1016, 1017, 1022, 1035, 1036, 1040, 1049, 1212, 1214, 1220, 1237, 1240, 1241, 1244, 1249, 1250, 1253, 1264, 1267, 1278, 1286, 1290, 1300, 1305, 1309, 1310, 1325, 1328, 1331, 1360, 1361, 1363. <b>693029</b> Carburetor (2 Quart Tank) (Air Vane) Used on Type No(s). 1257.			<b>495459</b> Carburetor (2 Quart Tank) (Air Vane) Used on Type No(s). 0002, 0003, 0014, 0016, 0017, 0022, 0024, 0035, 0036, 0037, 0038, 0040, 0049, 0050, 0064, 0067, 0119, 0120, 0134, 0140, 0141, 0143, 0145, 0148, 0151, 0155, 0157, 0158, 0159, 0162, 0164, 0166, 0167, 0176, 0178, 0179, 0182, 0186, 0188, 0190, 0191, 0197, 0200, 0201, 0203, 0205, 0206, 0207, 0209, 0212, 0214, 0225, 0249, 0800. <b>499470</b> Carburetor (2 Quart Tank) (Air Vane) Used on Type No(s). 0149, 0153. <b>499953</b> Carburetor (3 Quart Tank) (Air Vane) (Used After Code Date 98082300). Used on Type No(s). 0354, 0359, 0676, 1020, 1034, 1047, 1052, 1054, 1059, 1060, 1061, 1062, 1063, 1204, 1205, 1207, 1208, 1210, 1211, 1215, 1218, 1221, 1224, 1225, 1227, 1228, 1235, 1239, 1292, 1304, 1308, 1323, 1326, 1327, 1353, 1354, 1362, 1364, 1365, 1367, 1371, 1375, 1378, 1380, 1384, 1385.			<b>499490</b> Carburetor (3 Quart Tank) (Air Vane) (Used Before Code Date 98082400). Used on Type No(s). 1020, 1034, 1047, 1052, 1054, 1059, 1060, 1061, 1062, 1063, 1204, 1207, 1211, 1215, 1218, 1221, 1235, 1239, 1292, 1304, 1308, 1323, 1326, 1327, 1353, 1354, 1362, 1364, 1365, 1367. <b>495460</b> Carburetor (2 and 3 Quart Tank) (Manual Choke, Air Vane, Fixed Speed) <b>495461</b> Carburetor (1 Quart Tank) (Manual Choke, Air Vane, Fixed Speed) <b>499492</b> Carburetor (1 Quart) (Air Vane) Used on Type No(s). 0616, 1002, 1005, 1013, 1019, 1025, 1042, 1209, 1222, 1226, 1231, 1251, 1302, 1319, 1359, 1366, 1368, 1377.
						95	691437	Screw (Throttle Valve)
						97	692018	Shaft-Throttle
						99	490956	Kit-Spring/Screw (Governor Control Rod) Used on Type No(s). 0019.
						110	690401	Washer (Choke Shaft)

★ Engine Gasket Set-Reference 358  
● Carburetor Overhaul Kit-Reference 121

△ Valve Gasket Set-Reference 1095

REF. NO.	PART NO.	DESCRIPTION	REF. NO.	PART NO.	DESCRIPTION	REF. NO.	PART NO.	DESCRIPTION
121	495606	Kit-Carburetor Overhaul	161	691735	Base-Air Cleaner Used on Type No(s). 0149, 0153.	188	692200	Screw (Control Bracket)
127	691718	Plug-Welch (Carburetor Body)	163★	271935S	Gasket-Air Cleaner	190	691685	Screw (Fuel Tank) (2/3" Long)
127A	691742	Plug-Welch (Mixing Chamber)	163A ●	271139S	Gasket-Air Cleaner Used on Type No(s). 0149, 0153.	190A	692200	Screw (Fuel Tank) (3/4" Long)
127B	691585	Plug-Welch (Gear Reduction Case)	163B	690580	Gasket-Air Cleaner Used on Type No(s). 0149, 0153.	190B	691687	Screw (Fuel Tank) (1 3/4" Long)
130	691743	Valve-Throttle	166	691248	Stud (Air Cleaner) Used on Type No(s). 0149, 0153.	190C	691141	Screw (Fuel Tank) (1/2" Long)
141	497230	Kit-Choke Shaft (Used After Code Date 94092500). ----- <b>Note</b> ----- 491177 Kit-Choke Shaft (Used Before Code Date 94092600). 495949 Kit-Choke Shaft Used on Type No(s). 0149, 0153.	170	691120	Stud (Crankcase Cover/Sump) (Used in Position 1) Used on Type No(s). 1005, 1016, 1017, 1019, 1036, 1040, 1212, 1241, 1286, 1326.	191	★692241	Gasket-Fuel Tank (Used After Code Date 92090600).
147	691250	Jet-Pilot (Standard) ----- <b>Note</b> ----- 499502 Jet-Pilot (High Altitude)	173	●691777	Valve-Idle Mixture	191A	★272996	Gasket-Fuel Tank (Used Before Code Date 92090700).
149	691592	Spring-Needle Valve	180	495391	Tank-Fuel (3 Quart) (Air Vane)	200	498770	Blade-Governor
153	490501	Kit-Collar/Screw	180A	495377	Tank-Fuel (2 Quart) (Air Vane) ----- <b>Note</b> ----- 495376 Tank-Fuel (2 Quart) (Mechanical Governor)	201	691305	Link-Air Vane
156A	690439	Lever-Speed Adjuster	180B	495370	Tank-Fuel (1 Quart)	206	690325	Nut-Governor Adjusting Used on Type No(s). 0002, 0004, 0060, 0121, 0159, 0190, 0205, 1004.
156B	690438	Lever-Speed Adjuster				206A	691771	Nut-Governor Adjusting
156D	225371	Lever-Speed Adjuster Used on Type No(s). 0335, 0354, 0359, 0619, 0676.				208	691820	Rod-Governor Control Used on Type No(s). 0002, 0004, 0060, 0121, 0159, 0190, 0205, 1004.
						208A	691821	Rod-Governor Control

★ Engine Gasket Set-Reference 358  
● Carburetor Overhaul Kit-Reference 121

△ Valve Gasket Set-Reference 1095

# 91200

REF. NO.	PART NO.	DESCRIPTION	REF. NO.	PART NO.	DESCRIPTION	REF. NO.	PART NO.	DESCRIPTION
209	692205	Spring-Governor (No Color) ----- <b>Note</b> ----- <b>691785</b> Governor Spring (Yellow) (2.1" Long) Used on Type No(s). 0003, 0005, 0013, 0014, 0024, 0115, 0118, 0127, 0135, 0144, 0146, 0150, 0160, 0179, 0186, 0201, 0210, 0225. <b>263200</b> Spring-Governor (Slate Gray) Used on Type No(s). 0354, 0609. <b>692911</b> Spring-Governor (Yellow) (1.8" Long) Used on Type No(s). 1020, 1034, 1036, 1047, 1052, 1054, 1061, 1062, 1063, 1224, 1227, 1304, 1308, 1323, 1353, 1354, 1364, 1365. <b>690373</b> Spring-Governor (Stone Blue) <b>691825</b> Spring-Governor (Red) Used on Type No(s). 0015, 0018, 0034, 0036, 0038, 0052, 0061, 0062, 0063, 0067, 0116, 0117, 0128, 0129, 0133, 0136, 0137, 0149, 0151, 0153, 0174, 0175, 0177, 0180, 0182, 0196, 0208, 0223, 0359, 0616, 0619, 0620, 0649, 0676, 0680, 1015, 1018, 1228.			<b>690563</b> Spring-Governor (White) Used on Type No(s). 0017, 0022, 0035, 0042, 0050, 0059, 0111, 0114, 0119, 0120, 0121, 0122, 0125, 0131, 0138, 0140, 0141, 0142, 0145, 0155, 0156, 0161, 0164, 0168, 0172, 0176, 0181, 0189, 0197, 0198, 0212, 0213, 0214, 0219, 0249, 1017, 1022, 1025, 1035, 1042, 1059, 1209, 1211, 1212, 1214, 1220, 1221, 1226, 1231, 1237, 1240, 1241, 1249, 1250, 1251, 1253, 1264, 1269, 1289, 1305, 1309, 1313, 1314, 1319, 1328, 1360, 1366, 1368, 1377, 1383. <b>692612</b> Spring-Governor (Black) Used on Type No(s). 1013, 1014, 1215, 1218, 1230, 1235, 1244, 1259, 1286, 1310, 1325, 1356, 1362, 1363, 1370, 1375, 1378. <b>692613</b> Spring-Governor (Brown) Used on Type No(s). 1210, 1225, 1228, 1234, 1292, 1302, 1332, 1359, 1367, 1379, 1380, 1381.			<b>222</b> <b>699132</b> Bracket-Control <b>224</b> <b>690320</b> Screw (Collar/Screw Kit) <b>229</b> <b>691607</b> Washer (Fuel Tank) Used on Type No(s). 0013, 0019, 0042, 0173, 0189, 0219. <b>230</b> <b>690390</b> Washer (Control Bracket) Used on Type No(s). 0149, 0153. <b>265</b> <b>690393</b> Clamp-Casing Used on Type No(s). 0015, 0171, 0180, 1015. <b>265A</b> <b>691024</b> Clamp-Casing <b>265B</b> <b>690798</b> Clamp-Casing Used on Type No(s). 1060, 1221, 1225, 1228, 1290, 1305, 1385. <b>266</b> <b>691414</b> Control-Throttle <b>267</b> <b>691082</b> Screw (Casing Clamp) (Carburetor) <b>267A</b> <b>692577</b> Screw (Casing Clamp) (3/4" Long) (Used After Code Date 03092200). Used on Type No(s). 1225, 1228, 1305, 1385. ----- <b>Note</b> ----- <b>690804</b> Screw (Casing Clamp) (2/3" Long) (Used Before Code Date 03092300). Used on Type No(s). 1060, 1221, 1225, 1290, 1305.
			211	691289	Spring-Governed Idle			
			212	691788	Link-Throttle Used on Type No(s). 0019.			
			216	690551	Link-Choke			
			216A	691824	Link-Choke			
			216B	692904	Link-Choke			
			217	691815	Spring-Choke Return			
			218	691722	Washer (Choke Link)			

★ Engine Gasket Set-Reference 358  
● Carburetor Overhaul Kit-Reference 121

△ Valve Gasket Set-Reference 1095



REF. NO.	PART NO.	DESCRIPTION	REF. NO.	PART NO.	DESCRIPTION	REF. NO.	PART NO.	DESCRIPTION
268	691025	Casing-Control Wire (72" Long) (Cut to Required Length)	333	793281	Armature-Magneto (Used After Code Date 06073000). ----- <b>Note</b> -----	383	89838S	Wrench-Spark Plug
269	691026	Wire-Control (78" Long) (Cut to Required Length)		496914	Armature-Magneto (Used Before Code Date 06073100).	392	691823	Spring-Pump Diaphragm
270	691027	Nut (Control Wire Casing)		398428	Armature-Magneto Used on Type No(s). 0063, 0204, 1063, 1304.	393	691213	Screen-Carburetor
271	691028	Lever-Control				394	*272538S	Diaphragm-Carburetor (Used After Code Date 92063000).
274	691607	Washer (Cable Casing)	334	691061	Screw (Magneto Armature)	394A	270026	Diaphragm-Carburetor (Used Before Code Date 92070100).
275	691683	Screw (Throttle Control)	337	802592S	Plug-Spark	410	691274	Link-Control
280	691184	Bracket-Rod ----- <b>Note</b> ----- 690424 Bracket-Rod Used on Type No(s). 0005, 0052, 0059, 0061, 0062.	344	691685	Screw (Cable Clamp)	415	691363	Plug (Crankcase Cover/ Sump)
284	691082	Screw (Control Wire Casing)	346	690661	Screw (Spark Arrester)	415A	792749	Plug (Gear Cover) (Used After Code Date 06051600).
298	691720	Locknut-Muffler/Elbow	347	691396	Switch-Rocker	419	691818	Spring-Return (Throttle) Used on Type No(s). 0121.
300	691360	Muffler	351	90200	Screw (Ground Terminal)	425	694515	Screw (Air Cleaner Cover)
300A	493288	Muffler	356	692390	Wire-Stop	432	690766	Cap-Spring
303	690291	Elbow-Exhaust	356A	690791	Wire-Stop	434	691713	Cover-Diaphragm
304	692622	Housing-Blower	356B	695283	Wire-Stop	435	691619	Screw (Diaphragm Cover)
304A	690665	Housing-Blower Used on Type No(s). 0024.	356C	691409	Wire-Stop	445	491588S	Filter-Air Cleaner Cartridge
305	692198	Screw (Blower Housing)	356D	490346	Wire-Stop	445A	396424S	Filter-Air Cleaner Cartridge
306	690461	Shield-Cylinder	356E	493501	Wire-Stop	455	691236	Cup-Flywheel
307	691660	Screw (Cylinder Shield)	357	692191	Key-Drive Pulley Used on Type No(s). 0145, 0155, 0179, 0186, 0198, 0225, 1286, 1325, 1332, 1359.	456	692299	Plate-Pawl Friction
308	690462	Cover-Cylinder Head	358	495605	Gasket Set-Engine	459	281505S	Pawl-Ratchet
325	690590	Pulley-Rope Starter (Used Before Code Date 97110300). Used on Type No(s). 0024.	359	691077	Washer (Ground Terminal)	467	691668	Knob-Air Cleaner
332	690662	Nut (Flywheel)	362	691954	Shield-Spark Plug Used on Type No(s). 0013, 1013.	485	692295	Knob-Control
			363	19069	Puller-Flywheel	507	691972	Insulator
			365	690953	Screw (Carburetor) (3/4" Long)	507A	66895	Insulator
			373	691612	Nut (Ground Terminal)	520	691084	Terminal-Ground
						527	691741	Clamp-Tube
						529	*692189	Grommet (90 Degree)
						529A	*692187	Grommet (45 Degree)

★ Engine Gasket Set-Reference 358  
● Carburetor Overhaul Kit-Reference 121

△ Valve Gasket Set-Reference 1095

# 91200

REF. NO.	PART NO.	DESCRIPTION	REF. NO.	PART NO.	DESCRIPTION	REF. NO.	PART NO.	DESCRIPTION
536	494279	Cleaner-Air (Speed Adjuster Lever) (External Teeth)	620	490649	Panel-Speed Control	741A	691805	Gear-Timing (Timing Mark is a Circle {O})
538	691787	Rod-Control Used on Type No(s). 0019.	621	691941	Switch-Stop	770	690098	Kit-Rewind/Blower Housing (Used Before Code Date 95072400).
541	691067	Washer (Speed Adjuster Lever)	621A	692310	Switch-Stop	773	697325	Retainer
541A	690299	Washer	621B	692029	Switch-Stop	779	691828	Link-Bell Crank
541B	690288	Washer (Speed Adjuster Lever) (Internal Teeth)	629	690457	Spring-Throttle Return Used on Type No(s). 0002, 0004, 0060, 0159, 0190, 0205.	780	691211	Anchor-Spring
542	691683	Screw (Link Bracket)	629A	696015	Spring-Throttle Return Used on Type No(s). 1060, 1221, 1265, 1290, 1298, 1305, 1356.	823	692336	Screw (Muffler Adapter)
570	280737	Support-Foam Element Used on Type No(s). 0035, 0042, 0060, 0115, 0145.	633	691869	Seal-Choke/Throttle Shaft	831	691099	Screw (Spring Anchor)
578	398153	Wire Assembly	635	66538S	Boot-Spark Plug	832	490571	Guard-Muffler
578A	696031	Wire Assembly	648	690661	Screw (Muffler Guard Bracket) (13/16" Long)	832A	690789	Guard-Muffler
587	690769	Clamp-Cable	648A	690664	Screw (Muffler Guard Bracket) (13/32" Long)	836	690367	Screw (Muffler Guard) (19/32" Long)
592	690800	Nut (Rewind Starter)	663	690370	Screw (Speed Control Panel)	836A	690661	Screw (Muffler Guard) (13/32" Long)
594	94058	Screw (Rope Start Pulley)	669	690427	Bracket-Muffler Guard	836B	691683	Screw (Muffler Guard) (1/3" Long)
597	691696	Screw (Pawl Friction Plate)	669A	691194	Bracket-Muffler Guard	851	493880S	Terminal-Spark Plug
608	690101	Starter-Rewind (70" Rope)	676	393756	Deflector-Muffler	855	690599	Adapter-Air Cleaner
		----- <b>Note</b> -----	676A	397931	Deflector-Muffler	864	690776	Adapter-Muffler
		499706 Starter-Rewind (88 5/8" Rope) Used on Type No(s). 0680, 0800, 1237, 1369, 1370.	676B	393760	Deflector-Muffler	869	691701	Seat-Valve (Intake)
			676C	396548	Deflector-Muffler	870	691702	Seat-Valve (Exhaust)
			677	690661	Screw (Muffler Deflector)	871	262001	Bushing-Valve Guide (Exhaust) (Used After Code Date 92071900). ----- <b>Note</b> -----
			689	691783	Spring-Friction (Throttle Shaft)			231348 Bushing-Valve Guide (Exhaust) (Used Before Code Date 92072000). 63709 Bushing-Valve Guide (Intake)
			689A	692522	Spring-Friction (Governor Control Rod)			883 *Δ691314 Gasket-Exhaust
			689B	691855	Spring-Friction (Rewind Starter)	883A	691880	Gasket-Exhaust Used on Type No(s). 0127, 1265.
611	690507	Pipe-Fuel (2 Quart Tank) ----- <b>Note</b> -----	692	690572	Spring-Detent			
		691770 Pipe-Fuel (3 Quart Tank)	718	690959	Pin-Locating (Cylinder)			
612	391813	Tube-Pick Up (2 and 3 Quart Tanks) ----- <b>Note</b> -----	718A	499047	Pin-Locating (Crankshaft)			
		297219S Tube-Pick Up (1 Quart Tank)	718B	690296	Pin-Locating (Diaphragm Cover)			
613	691632	Screw (Muffler)	741	791124	Gear-Timing (Timing Mark is an Oval{O})			

★ Engine Gasket Set-Reference 358  
● Carburetor Overhaul Kit-Reference 121

Δ Valve Gasket Set-Reference 1095

REF. NO.	PART NO.	DESCRIPTION	REF. NO.	PART NO.	DESCRIPTION	REF. NO.	PART NO.	DESCRIPTION
916	691900	Rack-Governor Gear	1046	691337	Plug-Blower Housing	1095	699450	Gasket Set-Valve
930	691348	Guard-Rewind	1058	MS3819	Operator's Manual	1149	691624	Screw (Throttle Shaft)
957	494559	Cap-Fuel Tank			----- <b>Note</b> -----	1194	691876	Seal-O Ring (Plug)
967	491435S	Filter-Pre Cleaner			277098 Operator's Manual	1210	499901	Pulley/Spring Assembly (Pulley)
967A	271466	Filter-Pre Cleaner			Used on Type No(s). 1204, 1205, 1208, 1214, 1218, 1220, 1231, 1235, 1239, 1244, 1249, 1250, 1253, 1259, 1264, 1304, 1305, 1309, 1319, 1326, 1353, 1354, 1370, 1380, 1383.	1211	499901	Pulley/Spring Assembly (Spring)
968	692321	Cover-Air Cleaner				1302	691186	Washer (Muffler Guard)
968A	493822	Cover-Air Cleaner				1303	690594	Clamp-Speed Control
971	690370	Screw (Air Cleaner Base to Carburetor)				1319	794467	Label-Warning
987	692279	Seal-Throttle Shaft				1330	270962	Repair Manual
987A	270167	Seal-Throttle Shaft						
994	398067	Arrester-Spark						
995	691756	Bracket-Link						
1012	490507	Retainer-Link						
1036		Label-Emissions (Available From A Briggs & Stratton Authorized Dealer)						

★ Engine Gasket Set-Reference 358  
● Carburetor Overhaul Kit-Reference 121

△ Valve Gasket Set-Reference 1095