

## Rotary tool - F 013 910 000 - 9100

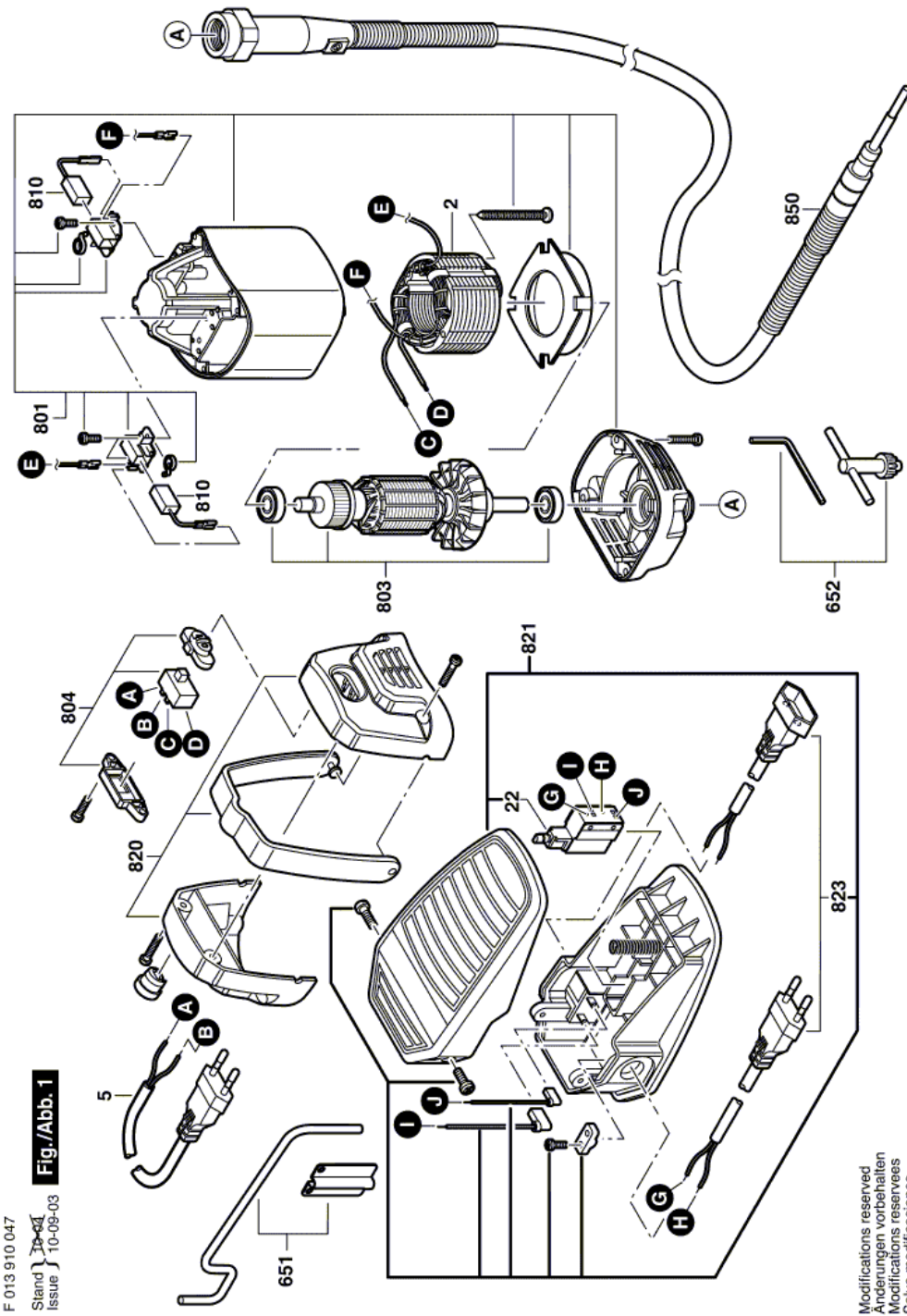
[www.powertools-aftersaleservice.com](http://www.powertools-aftersaleservice.com)



**BOSCH**

Item	Part Number	Description	Illustration	Price	Quantity	Price Group
2	2 610 Z06 150	Field 120V		1	-,-	1 37
5	2 610 Z06 156	Power supply cord		1	-,-	1 34
22	2 610 Z05 899	On-Off Switch		1	-,-	1 36
651	2 610 Z06 153	Hook		1	-,-	1 25
652	2 610 399 718	Set Of Keys		1	-,-	1 16
801	2 610 Z00 043	Housing Set		1	-,-	1 37
803	2 610 Z06 154	Armature 120V		1	-,-	1 44
804	2 610 Z00 038	Switch Set		1	-,-	1 22
810	2 610 399 517	Carbon-Brush Set		1	-,-	1 23
820	2 610 Z06 155	Cover		1	-,-	1 38
821	2 610 Z04 967	Foot Switch		1	-,-	1 46
823	2 610 Z06 151	Power supply cord		1	-,-	1 35
850	2 610 Z00 481	Flexible Shaft		1	-,-	1 38

Illustration - Type E



F 013 910 047  
 Stand } 10-09-03  
 Issue }  
**Fig./Abb. 1**

Modifications reserved  
 Änderungen vorbehalten  
 Modificaciones reservées  
 Salvo modificaciones

Information subject to change without further notice.