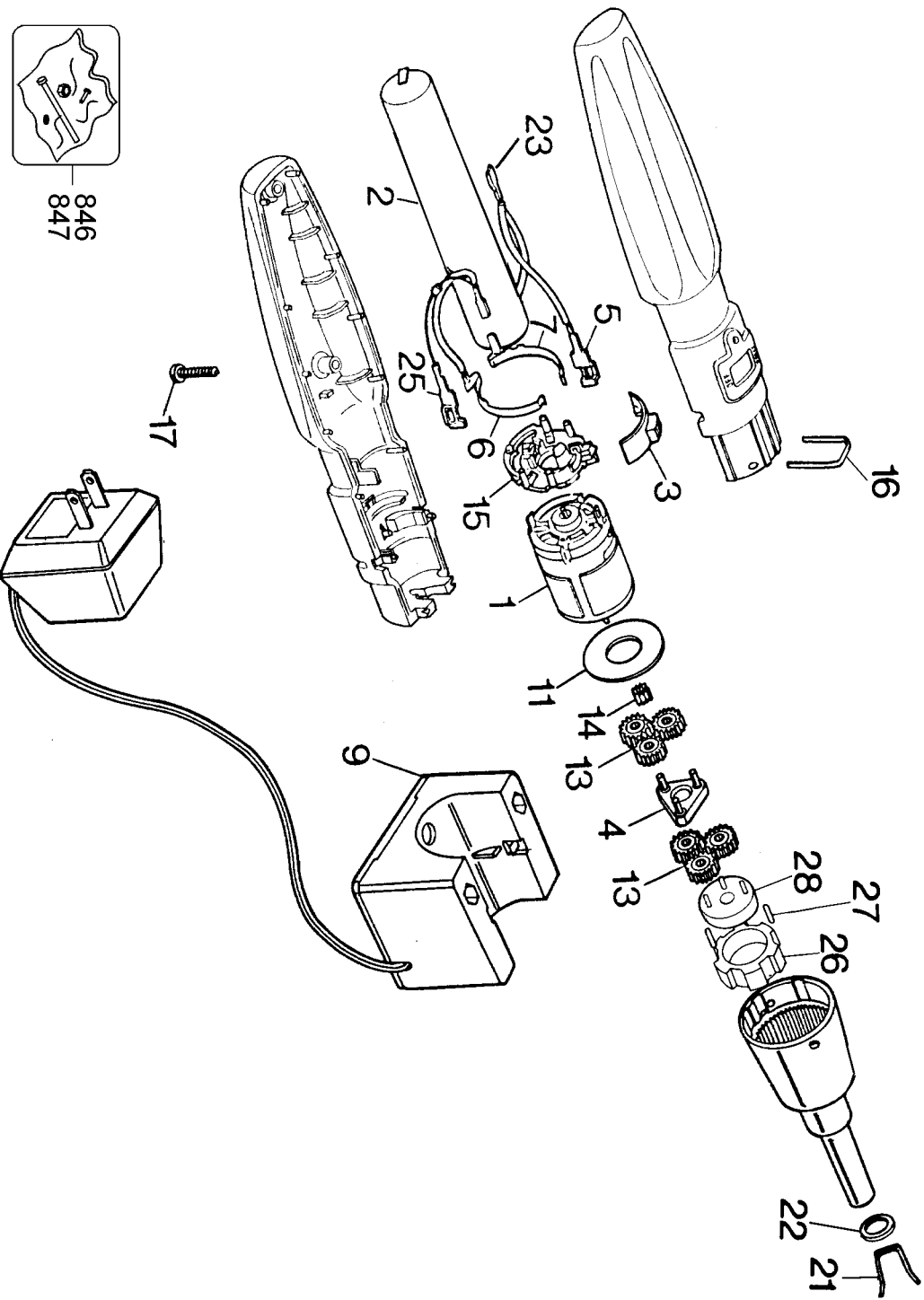




846
847



Parts List for 9074 Type 3

Item Number	Part Number	Description	Qty Required
1	144233-02	MOTOR,D.C.	1
2	90518346	CHARGER	1
2	000000-00	No Longer Available	1
3	146892-00	BUTTON,SWITCH	1
4	150155-00	CARRIER,INTERM.	1
5	143155-00	CONTACT,CHRGN.	2
6	000000-00	No Longer Available	1
9	000000-00	No Longer Available	1
11	000000-00	No Longer Available	1
13	150160-00	GEAR	6
14	143139-00	PINION,MOTOR	1
15	000000-00	No Longer Available	1
16	148347-00	CLIP	1
17	798659-00	SCREW	1
21	000000-00	No Longer Available	1
22	000000-00	No Longer Available	1
23	51350-08	TERMINAL	2
25	000000-00	No Longer Available	1
26	000000-00	No Longer Available	1
27	000000-00	No Longer Available	6
28	147139-00	CARRIER,OUTPUT	1
846	133385-12	HARDWARE BAG	1
847	157906-04	PACK,BIT	1