



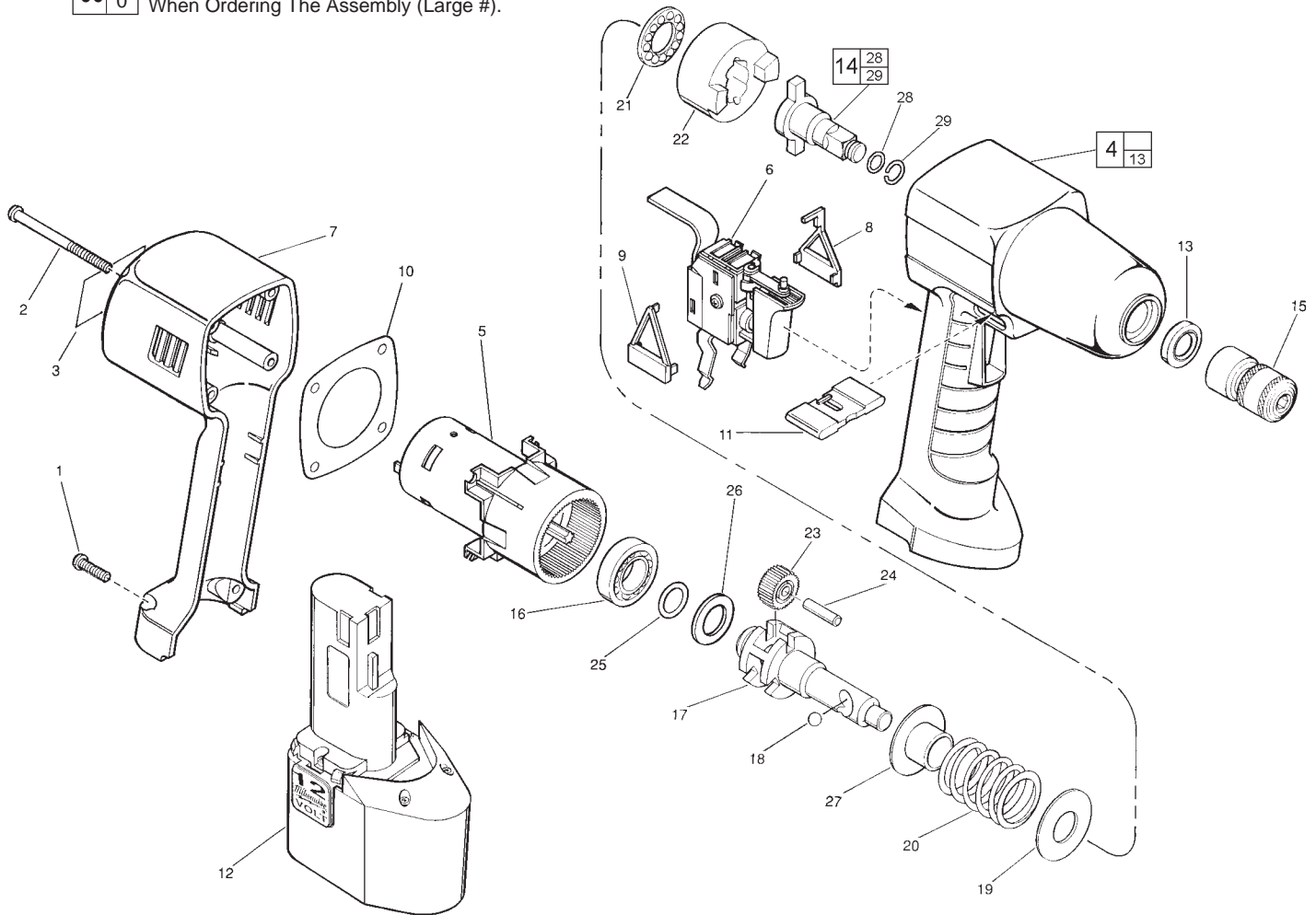
SERVICE PARTS LIST

BULLETIN NO.
54-26-1650

| | | | |
|---|---------------|--|-------------|
| SPECIFY CATALOG NO. AND SERIAL NO. WHEN ORDERING PARTS | | REVISED BULLETIN | DATE |
| CORDLESS 12 VOLT IMPACT DRIVER | | | Feb. 2003 |
| CATALOG NO. | 9057-1 | STARTING SERIAL NO. | 854A |
| | | WIRING INSTRUCTION 58-01-1615 | |

EXAMPLE:

00 σ Component Parts (Small #) Are Included
When Ordering The Assembly (Large #).



| FIG. | PART NO. | DESCRIPTION OF PART | NO. REQ. | FIG. | PART NO. | DESCRIPTION OF PART | NO. REQ. |
|------|------------|---------------------------------------|----------|------|------------|-----------------------|----------|
| 1 | 06-82-9220 | Pan Hd. Slit. T-20 PT Screw | (2) | 23 | 32-62-0060 | Planet Gear | (3) |
| 2 | 06-82-9279 | Pan Hd. Slit. T-20 PT Screw | (2) | 24 | 06-65-0040 | Pin | (3) |
| 3 | 10-15-0180 | Warning Label | (1) | 25 | 34-40-4420 | O-Ring | (1) |
| 4 | 14-38-0655 | Front Housing Assembly | (1) | 26 | 45-88-8705 | Washer | (1) |
| 5 | 14-50-0171 | 12 Volt Motor Assembly | (1) | 27 | 43-34-0750 | Spring Flange | (1) |
| 6 | 23-66-2310 | Switch | (1) | 28 | 34-40-0210 | O-Ring | (1) |
| 7 | 31-15-0470 | Handle Cover | (1) | 29 | 34-60-0620 | Retaining Ring | (1) |
| 8 | 31-51-0110 | Switch Mount - Left | (1) | | 12-20-1165 | Service Nameplate Kit | (1) |
| 9 | 31-51-0120 | Switch Mount - Right | (1) | | 10-15-1130 | Logo Label | (1) |
| 10 | 42-14-0410 | Baffle | (1) | | | | |
| 11 | 43-62-1110 | Reversing Shuttle | (1) | | | | |
| 12 | ----- | 12 Volt Battery - Select From Catalog | (1) | | | | |
| 13 | 45-06-0640 | Seal | (1) | | | | |
| 14 | 42-06-0130 | Anvil Assembly | (1) | | | | |
| 15 | 48-03-3630 | Drive Adapter | (1) | | | | |
| 16 | 02-04-1510 | Ball Bearing | (1) | | | | |
| 17 | 38-50-0030 | Ram Spindle | (1) | | | | |
| 18 | 02-02-1205 | 7/32" Steel Ball | (2) | | | | |
| 19 | 45-88-0110 | Washer | (1) | | | | |
| 20 | 40-50-0140 | Spring | (1) | | | | |
| 21 | 02-80-0140 | Thrust Bearing | (1) | | | | |
| 22 | 44-82-0060 | Ram | (1) | | | | |

MILWAUKEE ELECTRIC TOOL CORPORATION
13135 W. LISBON RD., BROOKFIELD, WI 53005