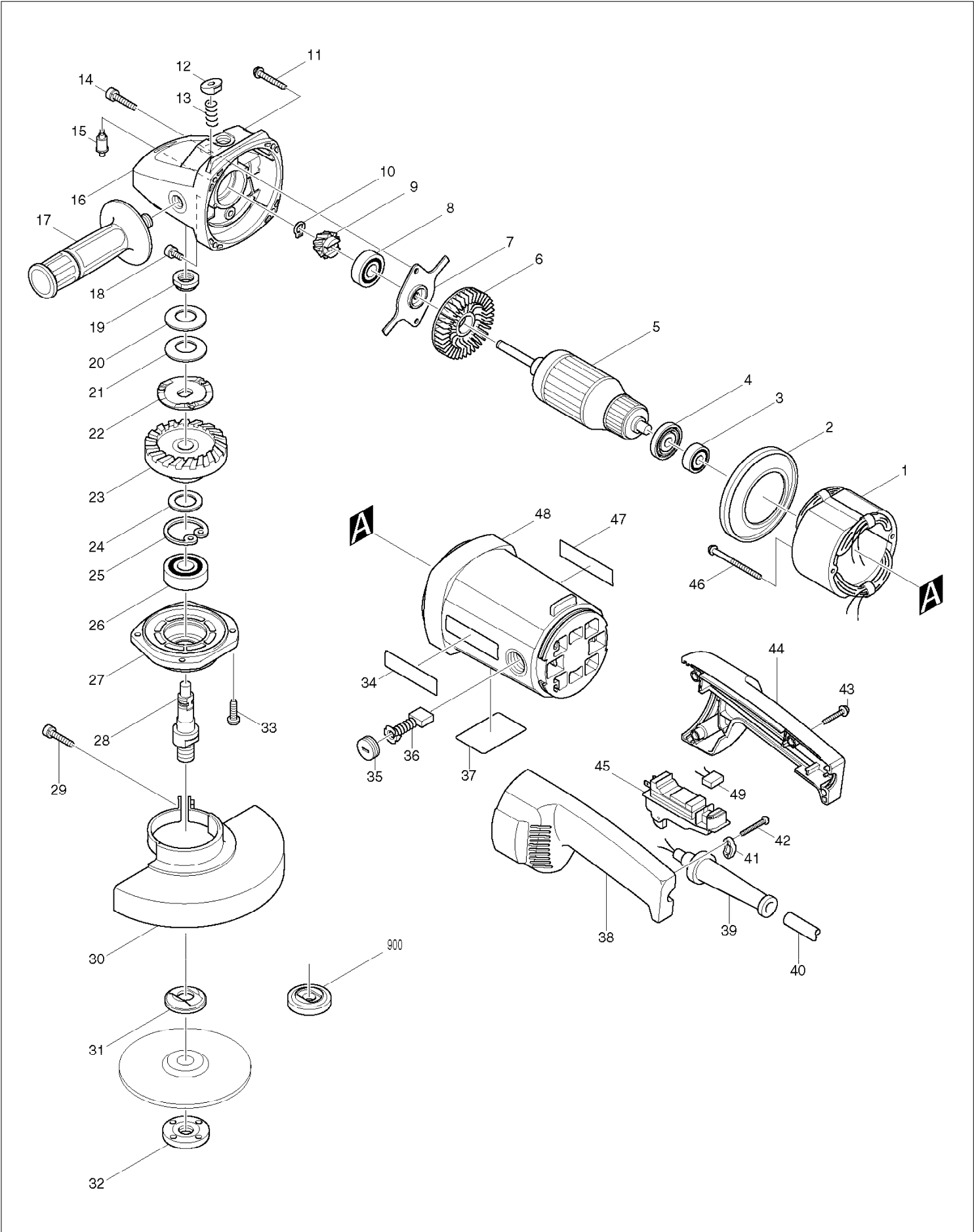


SERVICE DRAWING

MODEL NO. 9047S



SPARE PARTS LIST

MODEL NO. 9047S

ITEM	PART NO.	DESCRIPTION	QTY	NOTE
001	526048-9	FIELD ASS'Y 220V	1	
002	416131-9	BAFFLE PLATE	1	
003	211087-9	BALL BEARING 6200DDW	1	
004	681630-2	INSULATION WASHER	1	
005	*****	*****	***	*****
006	241908-1	FAN 80	1	
007	285832-8	BEARING RETAINER 60	1	
008	211132-0	BALL BEARING 6301DDW	1	
009	226737-3	SPIRAL BEVEL GEAR 16	1	
010	961005-4	RETAINING RING S-9	1	
011	*****	*****	***	*****
012	416132-7	PIN CAP	1	
013	233031-6	COMPRESSION SPRING 12	1	
014	266129-4	HEX. SOCKET HEAD BOLT M5X25	1	
015	256445-2	PIN 6	1	
016	*****	*****	***	*****
017	152539-0	GRIP 36 COMPLETE	1	
018	265976-0	HEX.SOCKET HEAD BOLT M5X10	1	
019	252425-6	NUT M15-23	1	
020	232163-6	CUP SPRING 20	1	
021	232163-6	CUP SPRING 20	1	
022	267725-1	LOCK WASHER	1	
023	226738-1	SPIRAL BEVEL GEAR 53	1	
024	267167-9	FLAT WASHER 15	1	
025	962157-4	RETAINING RING R-40	1	
026	211278-2	BALL BEARING 6203DDW	1	
027	*****	*****	***	*****
028	322902-3	SPINDLE	1	
029	265050-4	PAN HEAD SCREW M8X25	1	
030	*****	*****	***	*****
031	*****	*****	***	*****
032	224543-0	LOCK NUT 14-45	1	
033	*****	*****	***	*****
034	819064-1	MAKITA MARK	1	
035	643700-5	BRUSH HOLDER CAP 7-18	2	
036	191957-7	A.C. CARBON BRUSH CB-204	1	
037	858598-9	NAME PLATE 9047S	1	
038	182842-5	HANDLE SET INC. 44	1	
039	682540-6	CORD GUARD 9.3-90	1	
040	665630-0	POWER SUPPLY CORD 1.5-2-2.5	1	
041	687053-2	STRAIN RELIEF	1	
042	*****	*****	***	*****
043	*****	*****	***	*****
044	182842-5	HANDLE SET INC. 38	1	
045	651147-9	SWITCH 1362.0102	1	
046	*****	*****	***	*****
047	819064-1	MAKITA MARK	1	
048	159952-3	MOTOR HOUSING COMPLETE	1	
049	*****	*****	***	*****
050	*****	*****	***	*****
051	442129-0	GASKET	1	
A01	782407-9	LOCK NUT WRENCH 35	1	
B01	125060-2	TORQUE LIMITTER ASS'Y INC. 19-28	1	