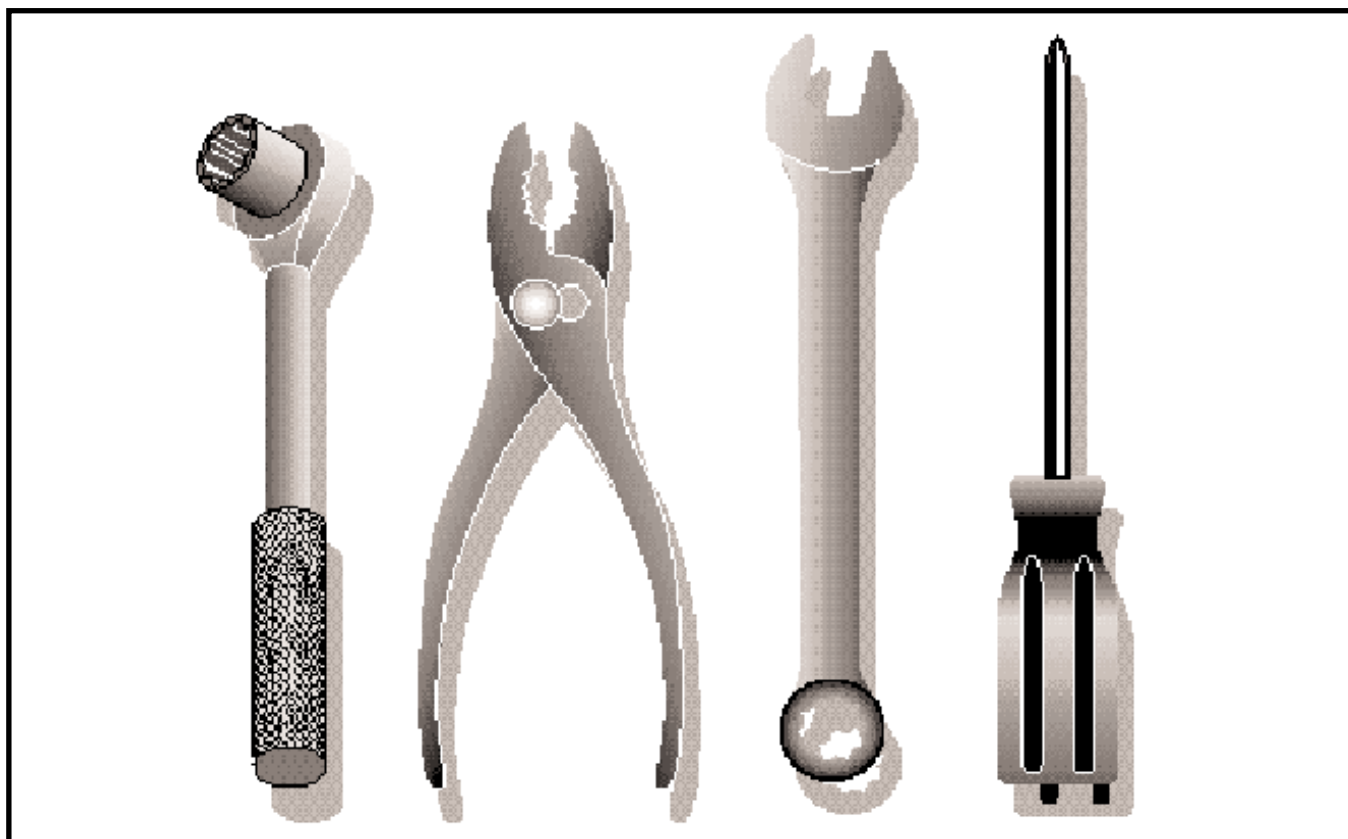
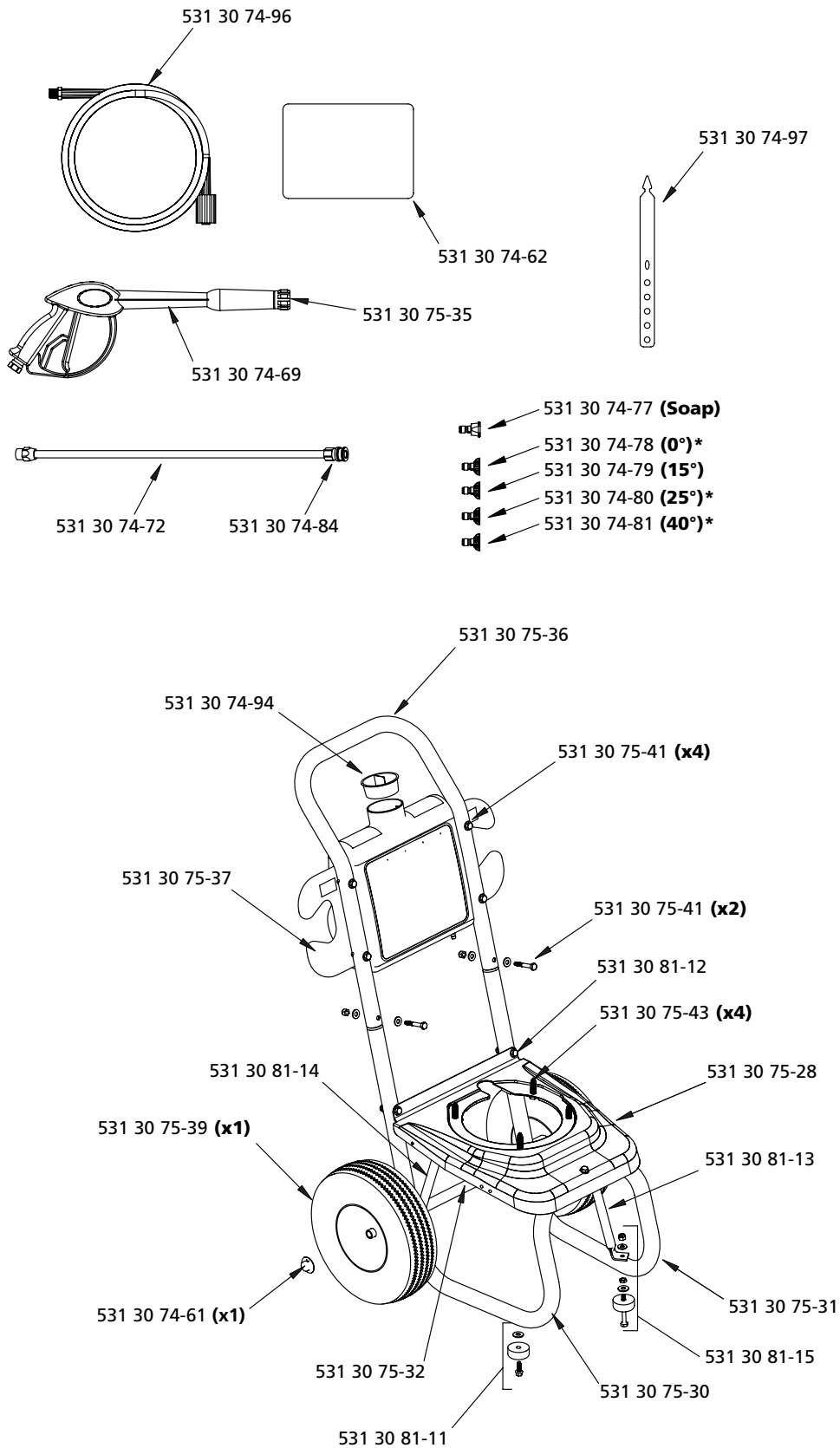


Pressure Washer

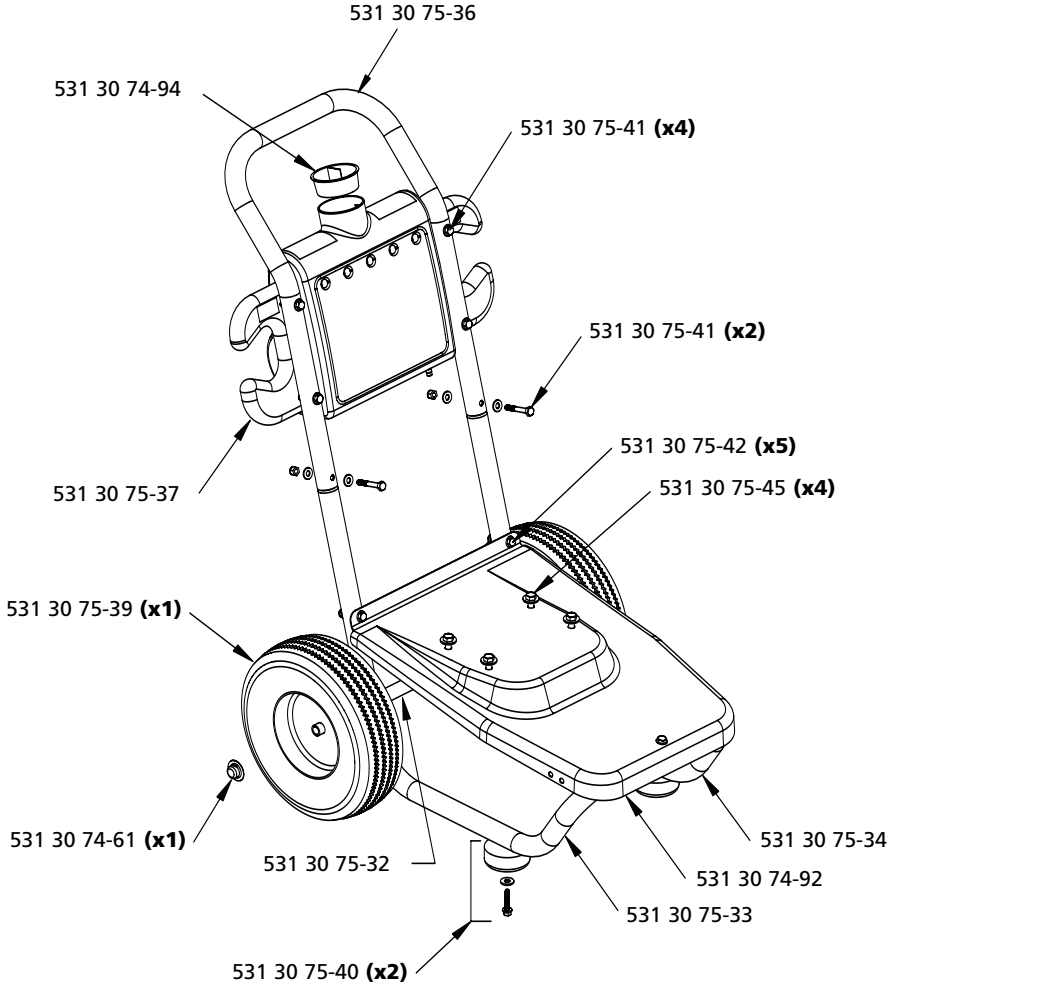
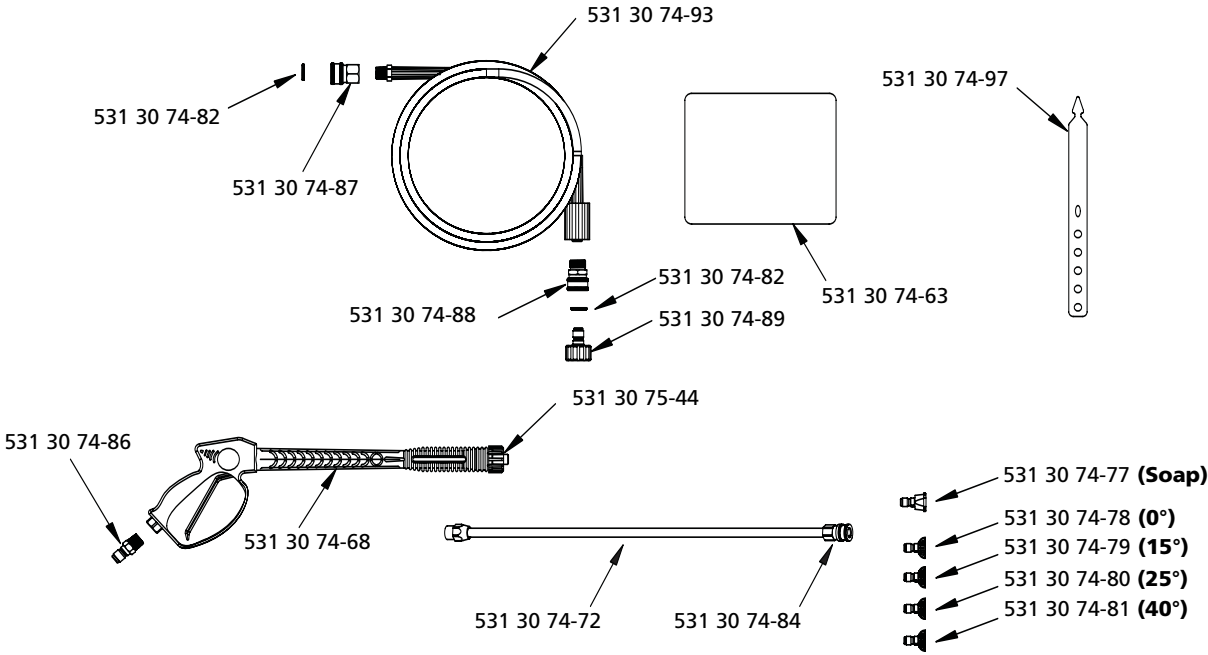
**5525PW, 6026PW,
9030PW, 1335PW**



5525PW

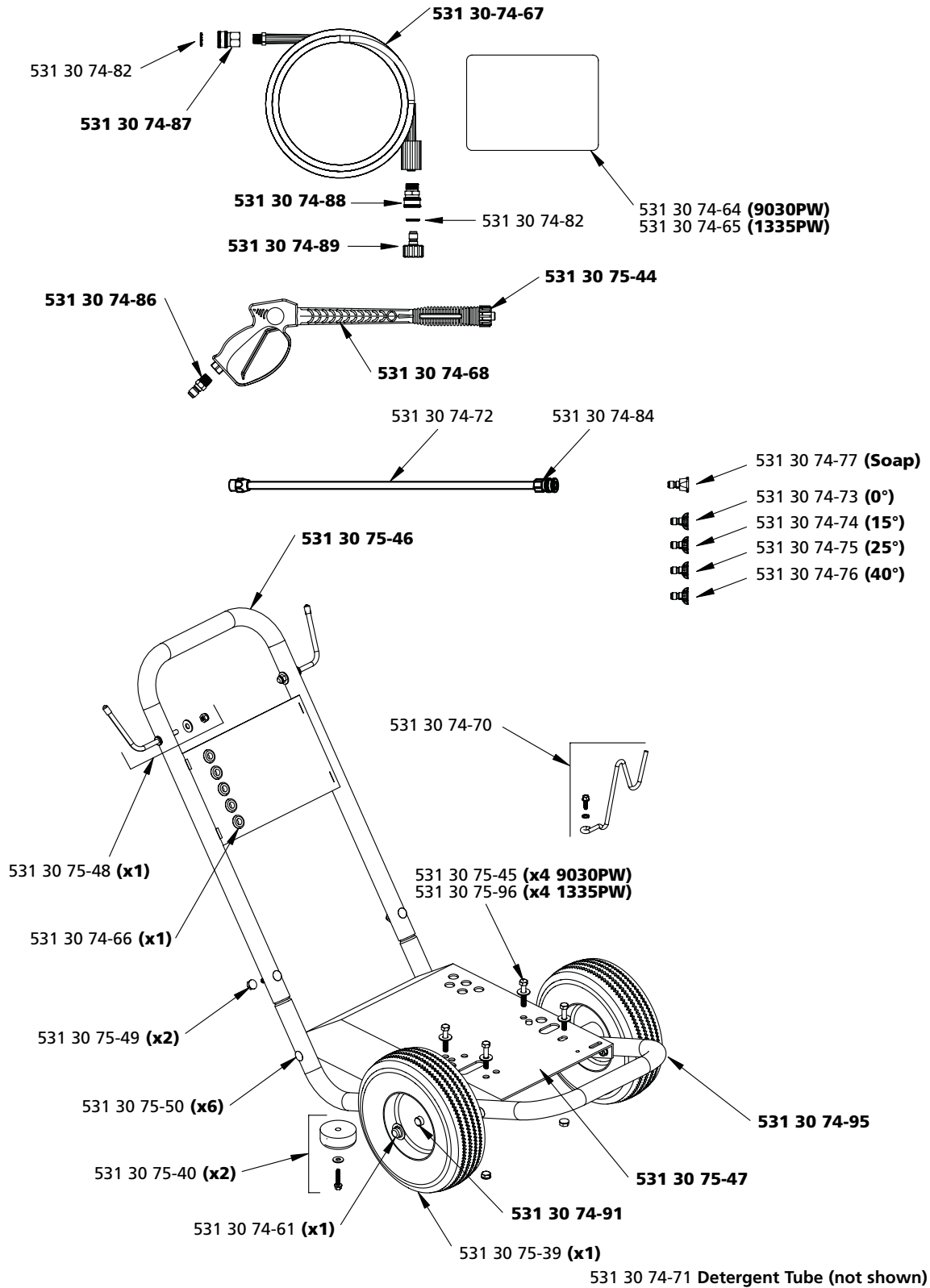


6026PW



531 30 74-60 Detergent Tube (not shown)

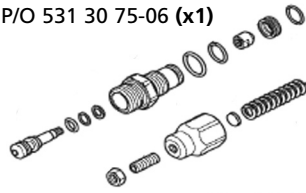
9030PW and 1335PW



Pump for 5525PW

531 30 75-29 Pump Assembly Complete

P/O 531 30 75-06 (x1)



531 30 75-04



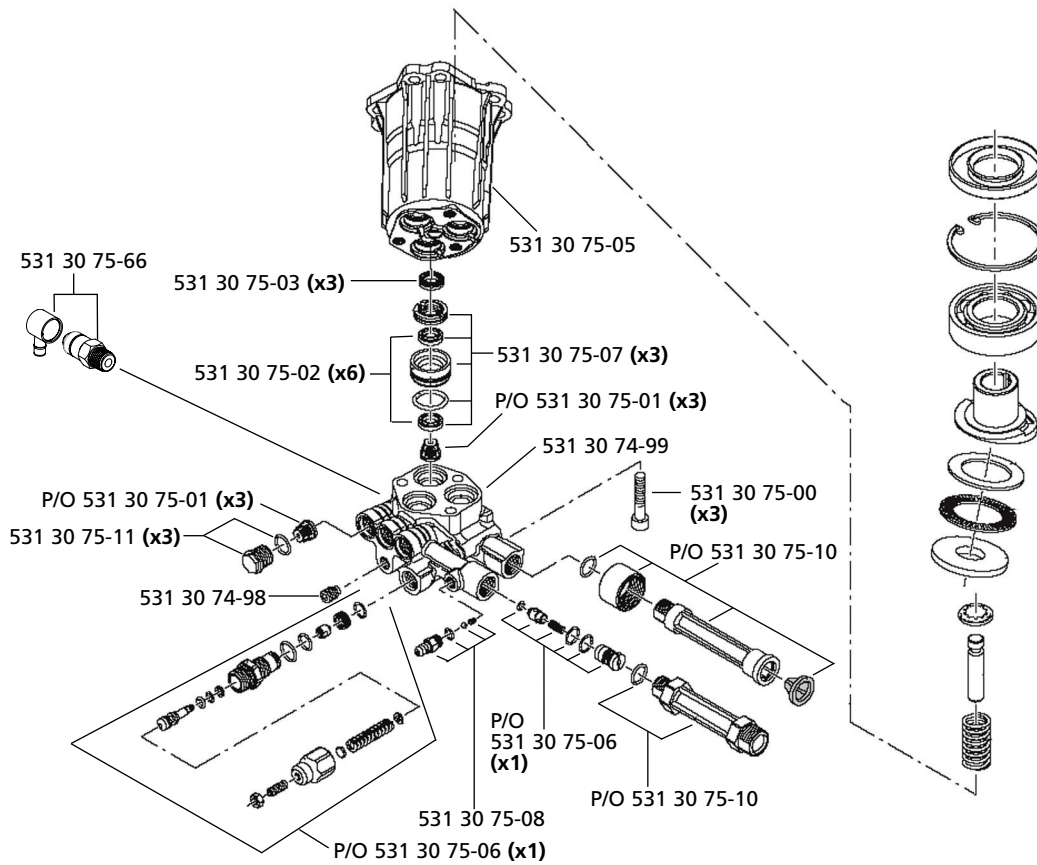
531 30 75-01(x6)



531 30 75-02 (x6)



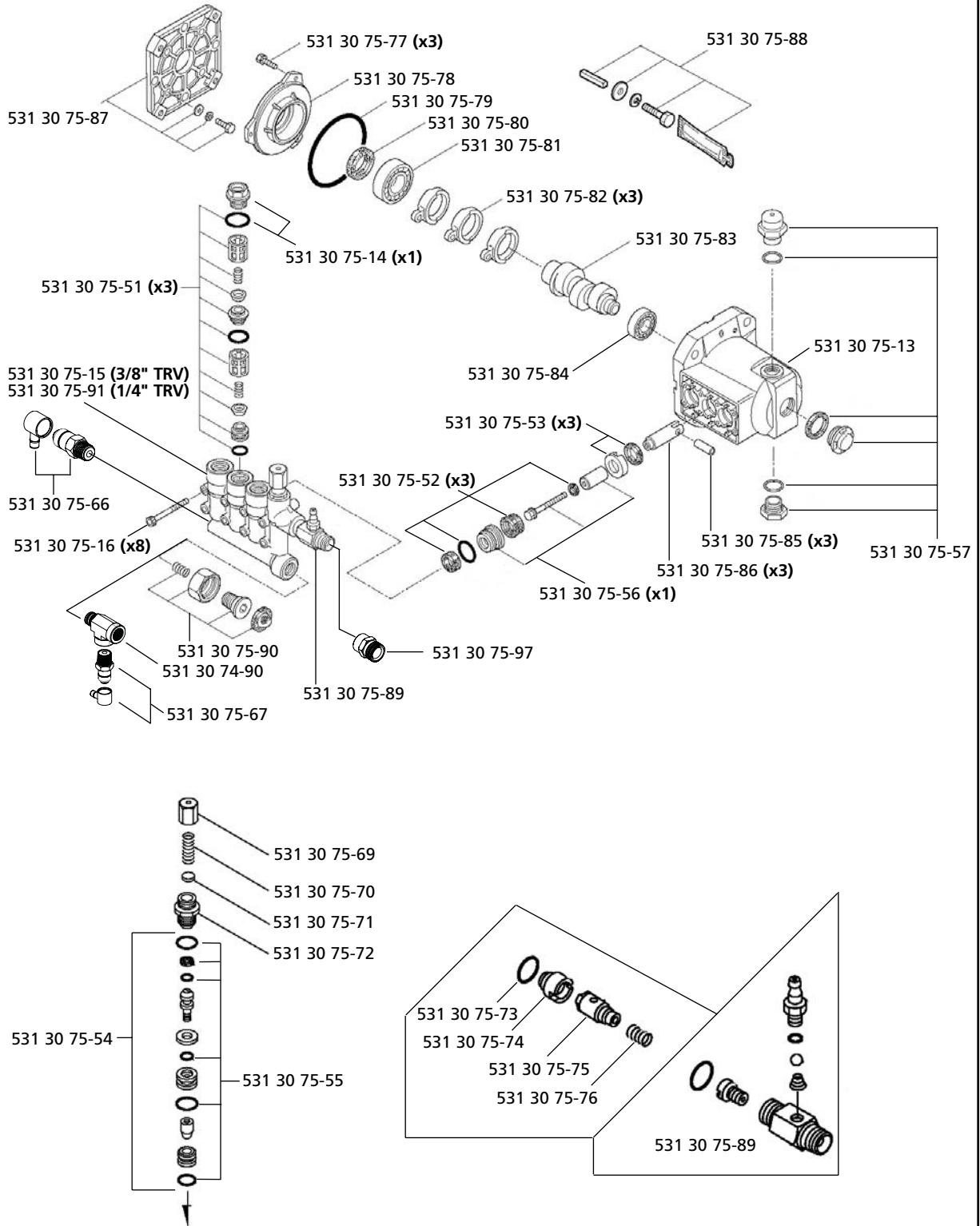
531 30 75-03 (x3)



Key: P/O = Part Of Kit

Pump for 6026PW

531 30 75-12 Pump Assembly Complete



531 30 74-83 Pump Oil (not shown)
Key: P/O = Part Of Kit

