

PARTS LEGEND Paslode CORDLESS FRAMING NAILER, 902200

1	902207	1	Grill	52	404419	1	Bumper		
2	900315	1	Filter	53	902239	1	Spring		
3	900469	1	Fan Motor Assembly (Includes PC board, washer, flat retaining ring, motor mount, and retaining ring (curved))	54	900934	2	Steel Ring, Sleeve		
4	900300	1	Retaining Ring (flat)	55	901204	1	Sleeve Assembly, includes rings		
6	900470	1	Motor Mount	56	404464	2	Rubber Stop		
7	401355	1	Retaining Ring (curved)	57	404424	1	Reed Valve		
8	901063	4	Shoulder Screw 10-24 x 1-1/2	58	404422	1	Muffler		
→	9	904517	1	Fuel Barb	59	404423	1	Muffler Cover	
10	401356	1	Motor Sleeve	60	902227	1	Utility Hook Button		
11	900286	1	Spark Plug Assembly, includes O-Ring	61	900596	6	Screw Thread Forming Sems 8-32 x 7/16		
12	902215	1	Fuel Tube	62	403816	2	Socket Head Capscrew 10-24 x 1-1/8		
13	404453	1	Bracket, Cylinder Head	63	404445	2	Bushing, Shear Block		
14	902210	1	Fuel Dosing Lever	64	902223	1	Wear Plate, Nose		
15	902209	1	Fuel Door	65	901249	1	Upper Probe		
16	902230	1	Pin, Fuel Door	66	902225	1	Lower Probe		
17	902235	1	Retaining Ring, Fuel Door	67	900592	2	S.H.C.S. Sems 10-32 x 1/2		
18	902221	1	Cylinder Head	68	401380	1	Tie Bar		
19	900935	2	Seal Ring	69	902211	1	Fuel Pivot Arm		
20	403167	1	Fan Blade Assembly	70	902203	1	Housing Assembly		
21	900474	1	Spark Unit Assembly	71	902237	1	Utility Hook		
22	900475	1	Molded Circuit Assembly	72	902234	2	Label		
23	900478	1	Spark Plug Assembly Wire	73	902240	1	Retainer Ring, Sleeve		
24	900231	1	Clip, Wire Spark Plug	▲	74	900593	3	S.H.C.S. Sems 10-24 x 5/8	
■	25	403987	2	Screw Thread Forming 6-32 x 1/4	75	403985	1	Follower	
26	902226	1	Handle Assembly Kit - Right & Left	76	901415	1	Follower Bushing Spring Assembly		
27	404448	1	Roller Lever Assembly	77	901202	1	Retaining Ring		
29	404702	2	Screw Thread Forming 6 x 3/8	78	403986	1	Spring Pin		
30	404436	1	Nail Channel	79	902204	1	Follower Guide		
31	404441	1	Cover Plate Magazine	80	902205	1	Follower Button		
32	901222	2	Shoulder Screw 10-32 x 1/2	81	404457	1	Spring		
33	902206	1	Cap	82	404922	2	Pad, Battery Contact		
34	404412	1	Wear Plate, Chamber Lock	83	401450	3	Foam Pad		
35	900453	4	Screw Plastite 8-16 x 7/8	85	901240	1	Probe Release		
36	900508	1	Warning Label	86	404426	1	Exhaust Baffle		
37	902220	1	Magazine Channel	87	404425	1	Reed Plate		
■	38	900594	4	S.H.C.S. Sems 8 - 32 x 1/2	■	88	900969	4	Torx Screw 8-32 x 5/8
39	901241	1	Stop, Cage	89	900481	1	O-Ring		
40	404451	1	Lockout Bar, Follower	**	90	900497	1	Warning Label	
41	902219	1	Shear Block	91	902222	1	Combustion Chamber Ring		
42	901238	1	Spring, Flat	92	404407	1	Combustion Chamber		
44	404435	1	Trigger	93	900595	2	Torx Screw Sems 8-32 x 3/8		
45	900269	1	Chamber Lock Bar	94	902212	1	Fuel Block		
46	404927	1	Spring, Trigger	95	902236	1	Nameplate		
47	401328	1	Retainer ring	96	900427	1	Light Pipe		
48	401461	2	Piston Ring	97	900468	1	Washer, Motor Shaft		
49	404485	1	Piston Assembly, includes rings	98	404411	2	Spring		
50	902233	1	Combustion Chamber Assembly	99	900546	1	Brass Insert		
51	404827	2	Pin	100	900597	1	Screw Thread Forming Sems 6-19 x 3/8		
				101	902238	1	Utility Hook Spring		
				102	902213	1	Pin Fuel Arm Pivot		

** Make sure Warning Labels (#900497,900508) are properly affixed.

Replace if necessary. Label is available at no charge through the Service Department.

▲ Apply Loctite 242 (Blue) Part No. 093500.

■ Apply Loctite RC-620 (Green) Part No. 401491

→ Denotes new change.

SAFETY INSTRUCTIONS

WEAR EYE AND HEARING PROTECTION



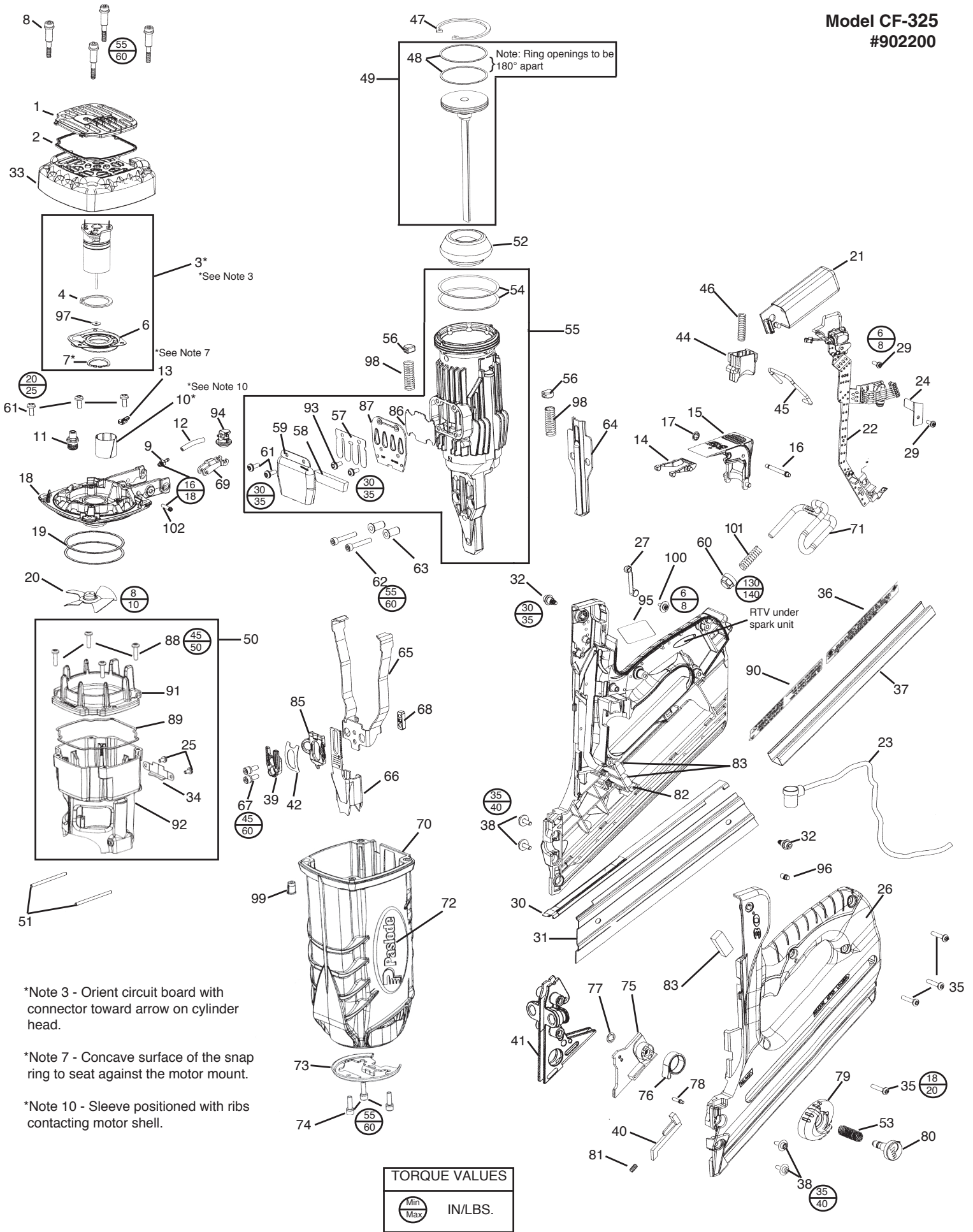
Always wear hearing protection and eye protection devices, including side shields when operating or working in the vicinity of a tool.



WARNING

All parts must be periodically inspected and replaced if worn or broken. Failure to do this can affect the tool's operation and present a safety hazard.

**Model CF-325
#902200**



*Note 3 - Orient circuit board with connector toward arrow on cylinder head.

*Note 7 - Concave surface of the snap ring to seat against the motor mount.

*Note 10 - Sleeve positioned with ribs contacting motor shell.

TORQUE VALUES	
Min	IN./LBS.
Max	