

# PARTS LEGEND

901000

1	900640	1	Grille	57	901100	1	Nameplate
* 2	900648	1	Filter	58	404385	1	Light Pipe
3	901064	4	S.H.C.S. 8-32 x 1-3/8"	59	901079	1	Handle Right Side
4	900785	1	Spark Plug Sleeve	60	900289	1	Belt Hook
5	900639	1	Cap	61	901019	1	Torsion Spring Magazine Latch
6	901119	1	Retaining Ring	62	900353	1	Pivot Pin
8	901382	1	Fan Motor Assembly with ring	63	901014	1	Magazine Latch Release
*13	401356	1	Motor Sleeve	64	901061	2	Screw 6-32 x 3/16 BH
14	900714	1	Spark Plug Assembly	66	901013	1	Magazine End Cap
15	900674	1	Wire Clip	**67	900496	1	Warning Label
16	900697	1	Stem Adapter	68	900508	1	International Label
17	405140	4	Screw 8-32 x 7/16" (red)	69	404922	2	Battery Contact Pad
18	900596	1	Screw, Sem 8-32 x 7/16"	70	901095	1	Switch Side Assembly
19	900739	1	Cylinder Head Circuit Board Assembly	71	900754	2	Screw 8-32 x 1/2" (yellow)
20	900605	1	Cylinder Head	72	901032	2	Bushing, Handle
21	900612	4	Seal Ring	73	901084	1	Magazine Wear Strip Assembly
22	900709	1	Fan Assembly	■74	900660	2	Screw 10-32 x 3/8"
23	900700	1	Air Dam	75	901062	1	Screw 6-32 x 1/8"
24	900729	1	Combustion Chamber Assembly	76	901012	1	Magazine Cover
25	900746	2	Screw 8-32 x 7/16 phtx	77	901015	1	Follower
26	901038	1	Spring	78	901018	1	Magazine Pin
27	901037	1	Yoke	79	901055	1	O-ring
28	901039	1	Yoke Support	80	901052	1	Spring Cover
29	901029	1	Yoke Guide	81	901016	1	Constant Force Spring
30	900734	1	Roll Pin	82	901017	1	Spool Spring
31	900645	1	Ball, Knob	83	900748	1	Washer
32	900361	1	Retaining Clip	84	900735	1	Screw
33	900727	1	Knob Assembly	85	901080	1	Handle Left Side
34	901009	1	Latch Cover Quick Clear	86	901066	4	Screw- Plastite
35	900685	1	Spring Pin	87	900703	1	Handle Bracket
36	901005	1	Latch Clip	88	900755	1	Bushing Actuator
37	901049	1	Spring Pin	89	900788	1	Actuator Assembly
38	901006	1	Spring Clip Assembly	90	404433	1	Pin Actuator
39	901002	1	Front Plate	91	900765	1	Spark Plug Wire Assembly
40	901048	1	Probe Tip	92	900663	1	Fan Wire Assembly
41	901007	1	Probe	93	901050	1	Molded Circuit Assembly
42	901026	2	Screw 10-24 x .75	*94	901021	1	Piston Bumper
43	901003	1	Back Plate	*95	901078	1	Piston Assembly
44	901025	1	Support Pin	96	901040	1	Piston Ring
45	901004	1	Front Plate Support	97	901036	1	Retaining Ring
46	901081	1	Sleeve Assembly	98	901044	1	Soft Grip
47	900616	1	O-Ring	99	900672	1	Electronic Spark Unit
48	901089	1	Exhaust Baffle	100	900662	1	ESU Power Wire Assembly
49	900665	1	Reed Plate	101	901045	1	Trigger
50	900664	1	Reed Valve	103	901047	1	Trigger Pin
51	900609	1	Muffler	104	901053	1	Trigger Spring
52	900668	1	Muffler Cover	105	404702	3	Screw 6-32 x 3/8"
54	901059	1	Front Channel	106	900629	1	HighTension Clip
55	900598	2	Screw 10-32 x 5/16" (red)	107	903004	1	Contact Positive
56	901111	2	Housing Label	108	903003	1	Contact Negative
				109	901041	1	Wear Strip

- \* Denotes Normal Wear Items
- Apply Loctite RC-620 (Green) Part No.401491
- \*\* Make sure Warning Label (900496) is properly affixed replace if necessary.
- Label is available at no charge through the Service Dept.
- Denotes Change

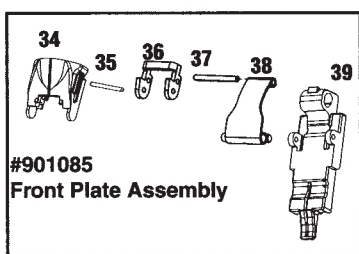
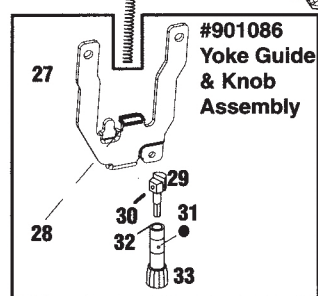
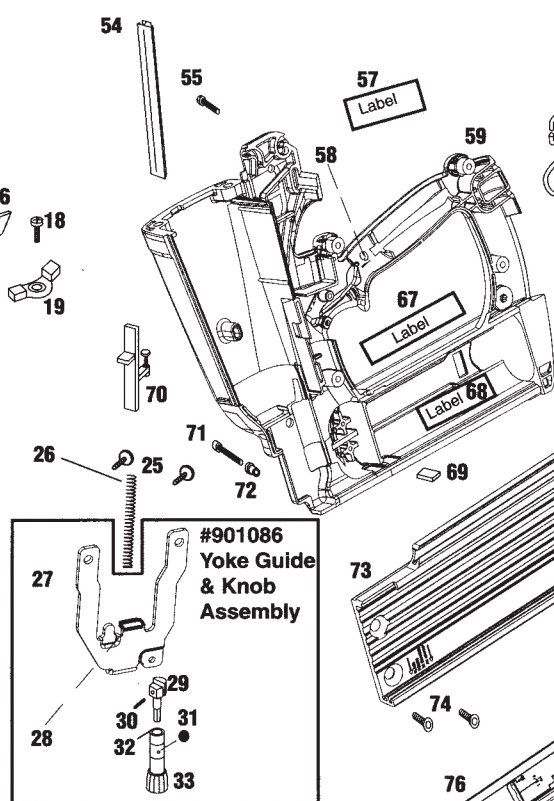
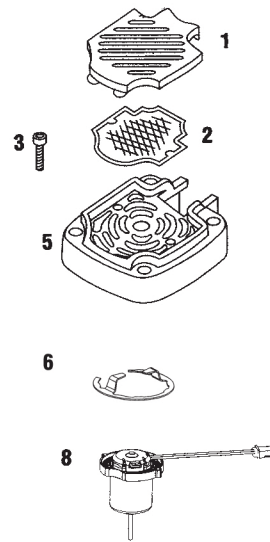
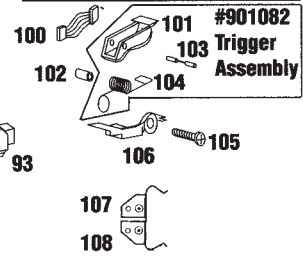
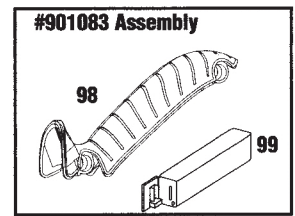
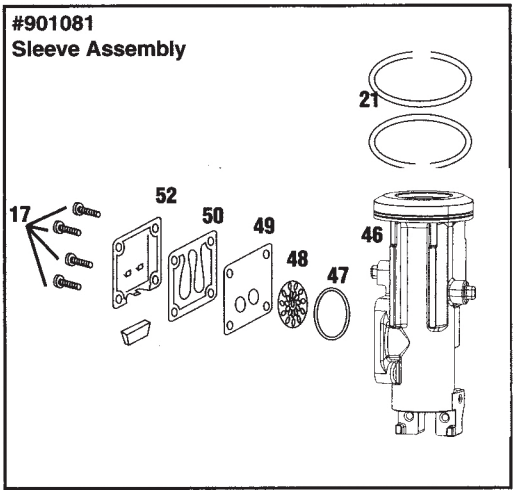
## SAFETY INSTRUCTIONS

### WEAR EYE AND HEARING PROTECTION



Always wear hearing protection and eye protection devices, including side shields when operating or working in the vicinity of a tool.





**TORQUE VALUES**

MIN	IN/LBS
MAX	

**⚠ WARNING**  
 All parts must be periodically inspected and replaced if worn or broken. Failure to do this can affect the tool's operation and present a safety hazard.