



SERVICE PARTS LIST

BULLETIN NO.
54-05-0826

SPECIFY CATALOG NO. AND SERIAL NO. WHEN ORDERING PARTS				REVISED BULLETIN	DATE
D.I. VARIABLE TEMP. HEAT GUN with Display				54-05-0825	Feb. 2014
CATALOG NO.	8988-20	SERIAL NUMBER	199B	WIRING INSTRUCTION See Reverse Side	

EXAMPLE:
Component Parts (Small #) Are Included
When Ordering The Assembly (Large #).

★ = Part number change from
previous service parts list.

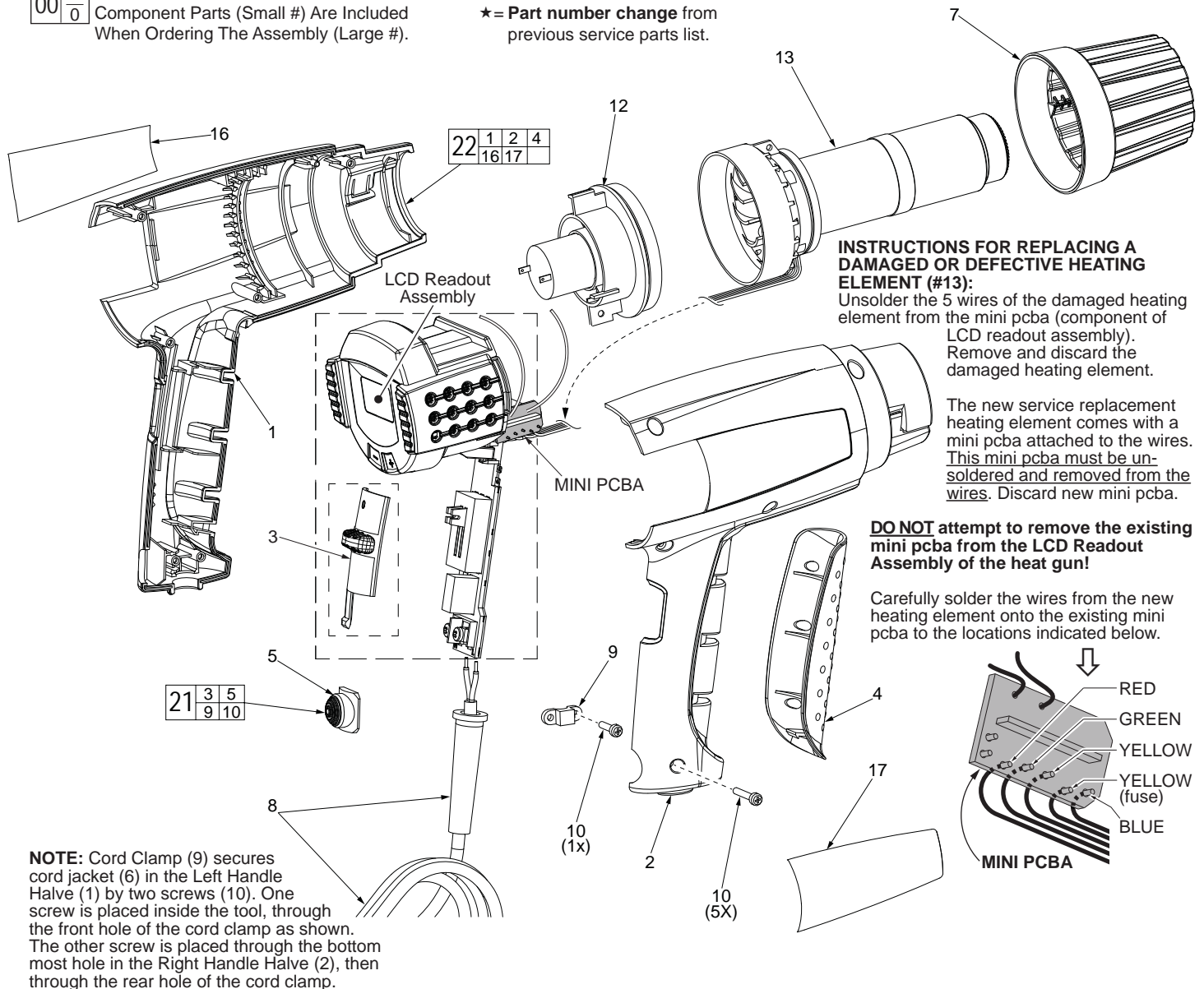
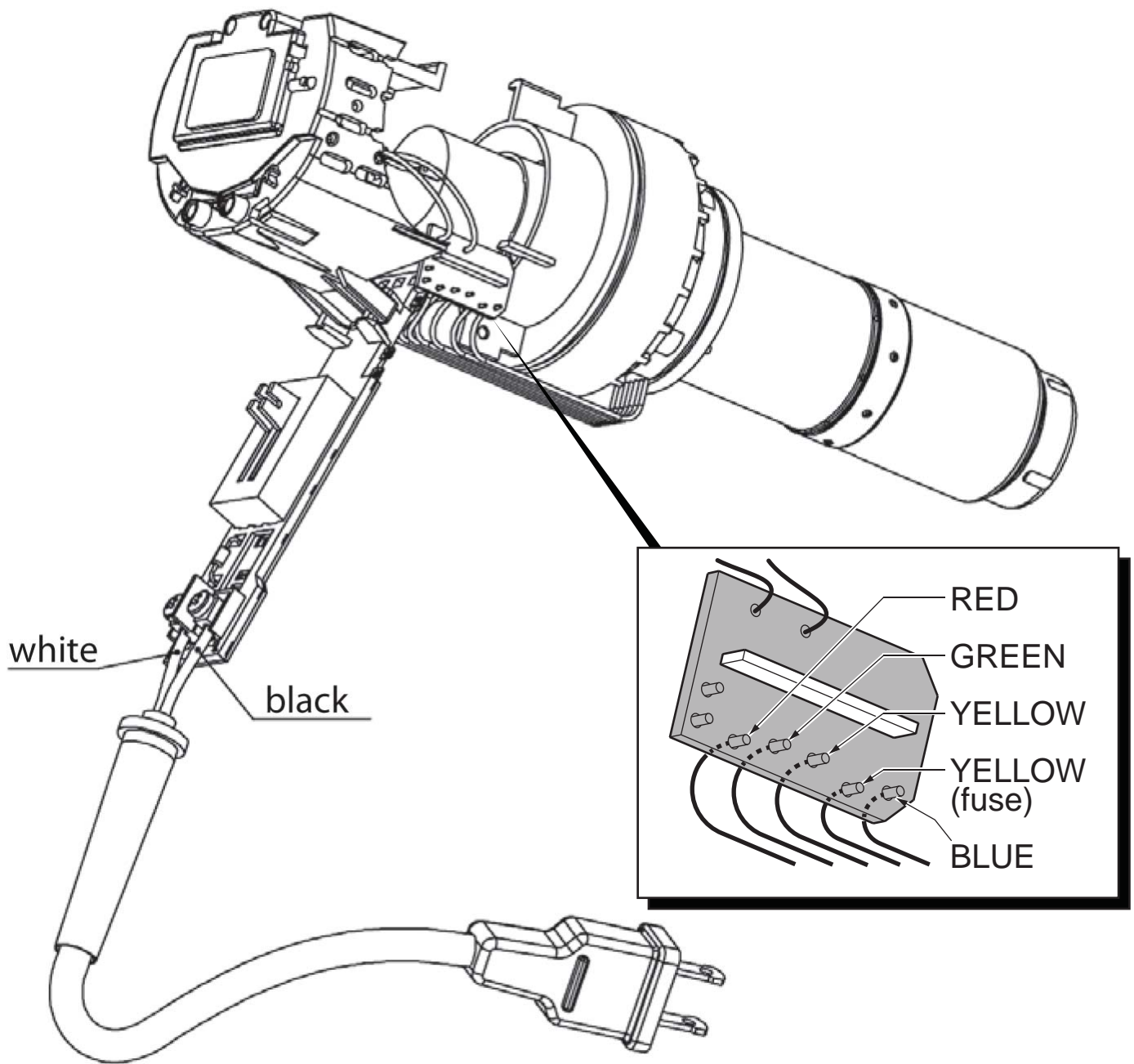


FIG.	PART NO.	DESCRIPTION OF PART	NO. REQ.
1	-----	Left Handle Halve	1
2	-----	Right Handle halve	1
3	-----	◆ Switch Cover with external markings	1
4	31-44-0013	Soft Grip	1
5	-----	◆ Rubber Tool Rest	1
7	31-55-0031	Nose Cone	1
8	22-64-0037	Cord Set with Cord Protector	1
9	-----	◆ Cord Clamp	1
10	-----	◆ Pan Head Phillips Screw (Chrome)	6
12	14-50-0051	Motor/Fan Assembly	1
13	14-20-0042	Heating Element	1
16	-----	Logo Label	1
17	12-20-8987	Service Nameplate	1
18	-----	Warning Label (Not Shown)	1
21	14-46-0021	Repair Service Kit	1
22	14-38-0022	Handle Service Kit	1

21 ◆ 14-46-0021 Repair Service Kit				
Consists of:				
Fig.	Description of Part	Where Used	Color	Qty.
3	Switch Cover w/markings	Internal Switch	Black	1
5	Rubber Tool Rest	Handle Halves	Black	1
9	Cord Clamp	Cord Jacket	White	1
10	Pan Head Phillips Screw	Cord Clamp	Chrome	1
10	Pan Head Phillips Screw	Right Handle	Chrome	5



INSTRUCTIONS FOR REPLACING A DAMAGED OR DEFECTIVE HEATING ELEMENT (#13):

- Unsolder the 5 wires of the damaged heating element from the mini pcba (component of LCD readout assembly). Remove and discard the damaged heating element.
- The new service replacement heating element comes with a mini pcba attached to the wires. This mini pcba must be unsoldered and removed from the wires. Discard new mini pcba.
- **DO NOT attempt to remove the existing mini pcba from the LCD Readout Assembly of the heat gun!**
- Carefully solder the wires from the new heating element onto the existing mini pcba to the locations indicated in the detail.