



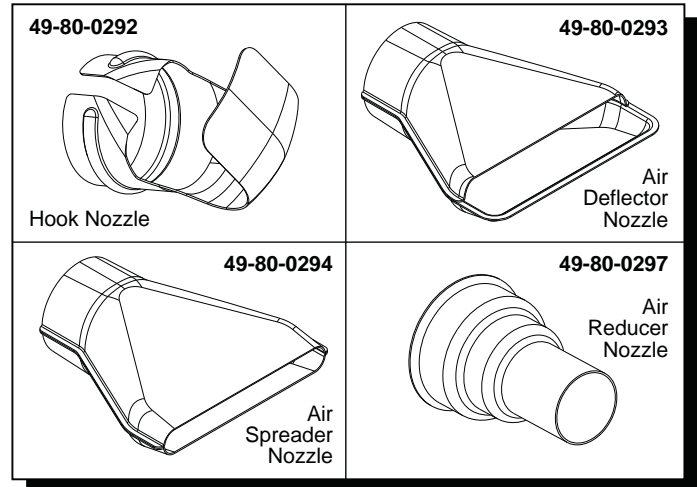
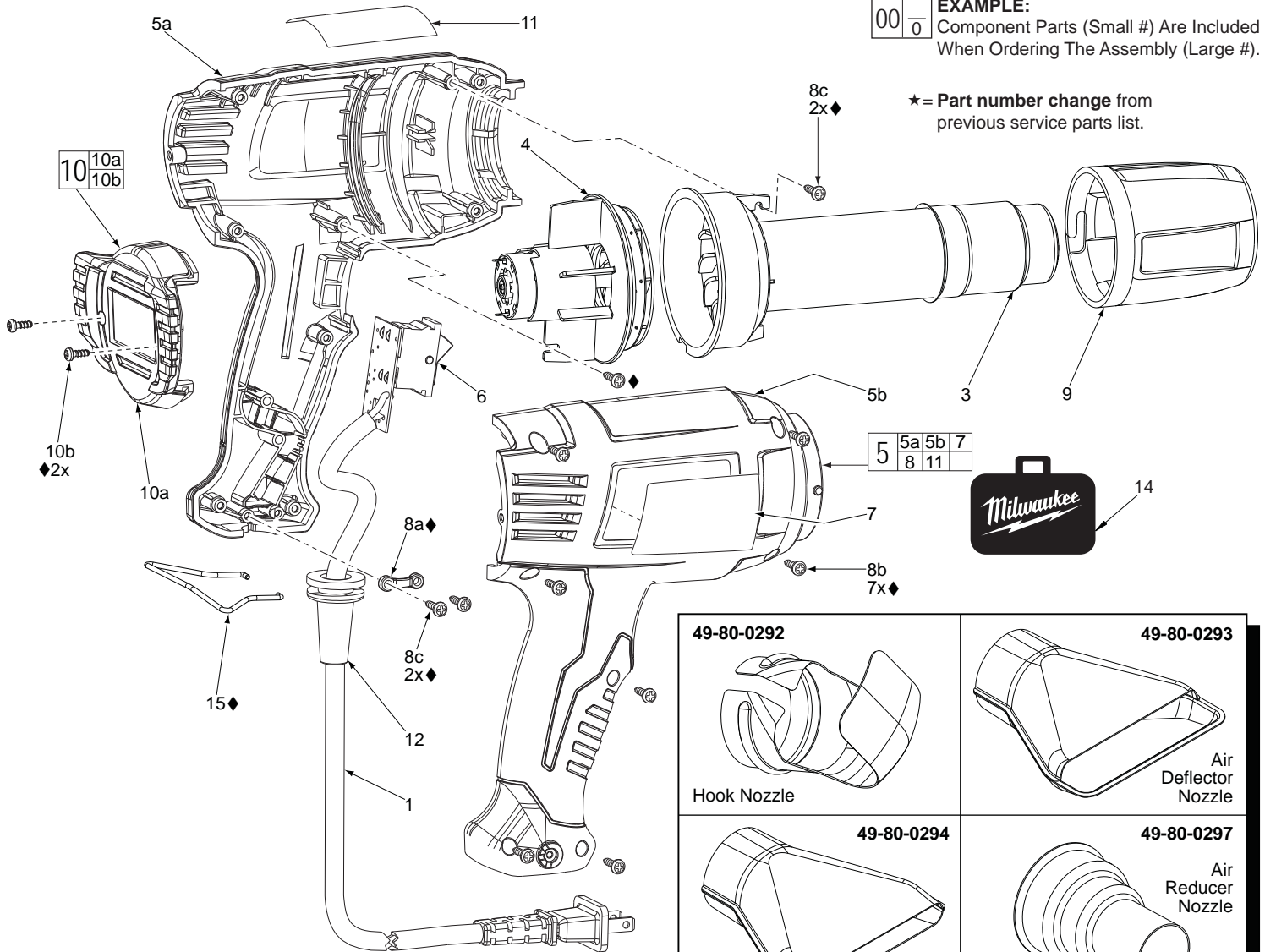
SERVICE PARTS LIST

BULLETIN NO.
54-05-0642

| | | | |
|--|---------------|---|-------------------|
| SPECIFY CATALOG NO. AND SERIAL NO. WHEN ORDERING PARTS | | REVISED BULLETIN 54-05-0641 | DATE Aug. 2013 |
| DOUBLE INSULATED HEAT GUN | | | |
| CATALOG NO. | 8975-6 | SERIAL NUMBER | 731A |
| | | WIRING INSTRUCTION See Reverse Side | |

EXAMPLE:
Component Parts (Small #) Are Included
When Ordering The Assembly (Large #).

★ = Part number change from
previous service parts list.



Cat. No. 49-80-0300
Heat Gun Accessory Assortment
Includes the four accessories listed above.

| FIG. | PART NO. | DESCRIPTION OF PART | NO. REQ. |
|-------|------------|---|----------|
| ★ 1 | 22-64-8975 | Cord Set | (1) |
| ★ 3 | ----- | Heating Element Assembly | (1) |
| ★ 4 | 14-46-8974 | Motor and Fan Assembly | (1) |
| ★ 5 | 14-46-8977 | Handle Service Kit | (1) |
| ★ 5a | ----- | Left Handle Halve | (1) |
| ★ 5b | ----- | Right Handle Halve | (1) |
| ★ 6 | ----- | Switch/PCBA | (1) |
| ★ 7 | 12-20-8975 | Service Nameplate Kit | (1) |
| ★ 8 | 14-46-8979 | Repair Service Kit (Includes all ♦ items) | (1) |
| ★ 8a | ----- | Cord Clamp | (1) |
| ★ 8b | ----- | M3 x 13 Phillips Pan Hd. Screw | (7) |
| ★ 8c | ----- | M3 x 13 Phillips Pan Hd. Screw | (4) |
| ★ 9 | 44-90-8975 | Nose Shield | (1) |
| ★ 10 | 31-12-8975 | End Cap Service Kit | (1) |
| ★ 10a | ----- | End Cap | (1) |
| ★ 10b | ----- | M3.5 x 8 Phillips Pan Hd. Screw | (2) |
| ★ 11 | 10-20-0112 | Warning Label | (1) |
| ★ 12 | 44-76-8975 | Strain Relief | (1) |
| ★ 14 | 42-55-8975 | Carrying Case | (1) |
| ★ 15 | ----- | Wire Tool Support | (1) |

8 ♦ 14-46-8979 Repair Service Kit
Consists of:

| Fig. | Description of Part | Where Used | Color | Qty. |
|------|---------------------------------|-----------------|--------|------|
| 10b | M3.5 x 8 Phillips Pan Hd. Screw | End Cap | Black | 2 |
| 8b | M3 x 13 Phillips Pan Hd. Screw | Right Handle | Black | 7 |
| 8c | M3 x 13 Phillips Pan Hd. Screw | Heating Element | Chrome | 2 |
| 8c | M3 x 13 Phillips Pan Hd. Screw | Cord Clamp | Chrome | 2 |
| 15 | Wire Tool Support | Handle Halves | ---- | 1 |
| 8a | Cord Clamp | Left Handle | ---- | 1 |

