

SERVICE PARTS LIST

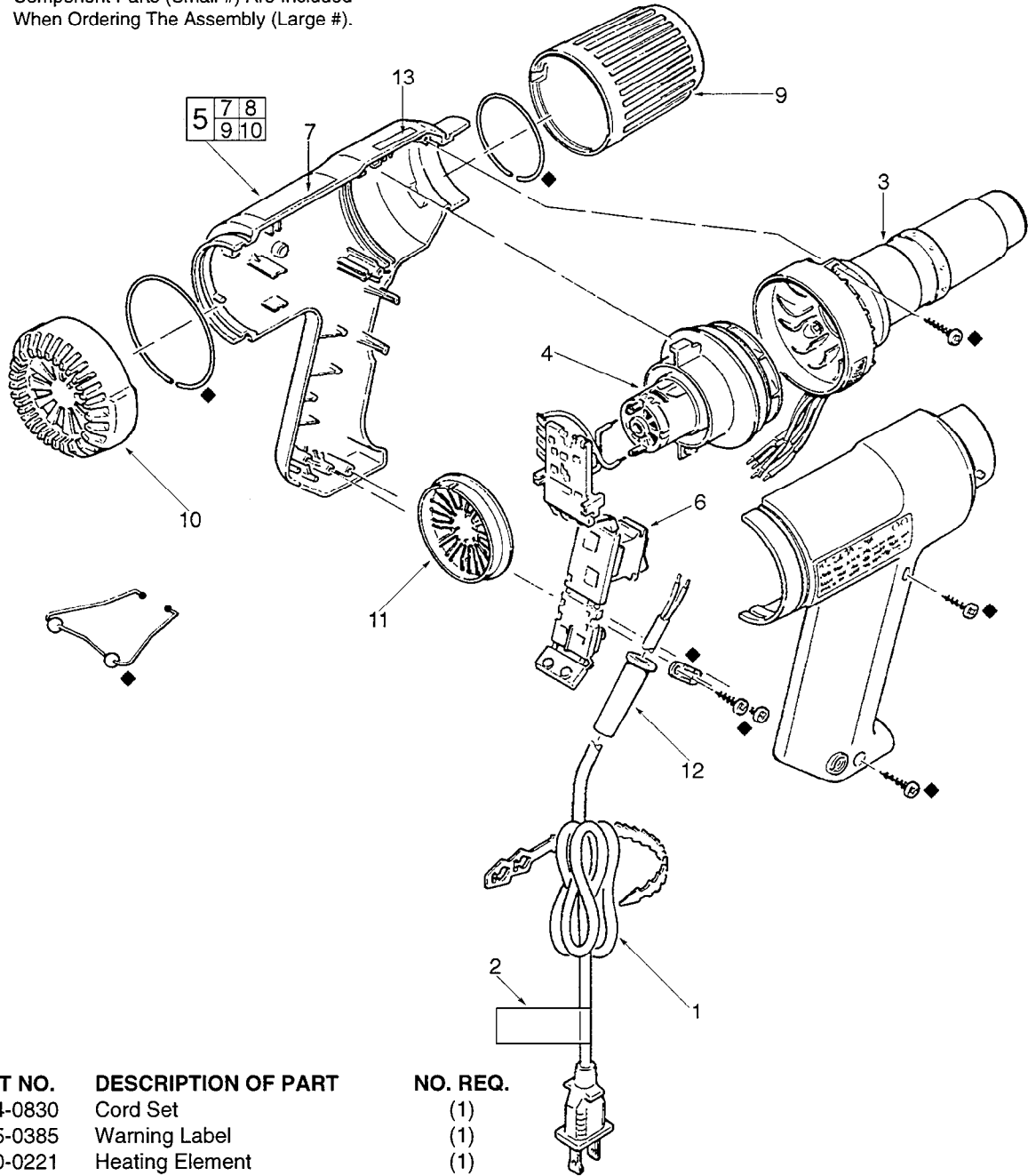
BULLETIN NO.
54-05-0641

| | | | |
|--|-------------|--------------------------------|-------------------|
| SPECIFY CATALOG NO. AND SERIAL NO. WHEN ORDERING PARTS | | REVISED BULLETIN 54-05-0640 | DATE Sept. '98 |
| DOUBLE INSULATED HEAT GUN | | | |
| CATALOG NO. | 8975 | SERIAL NUMBER | 731-214520 |
| | | SEE REVERSE SIDE | |

EXAMPLE:

| | |
|----|---|
| 00 | 0 |
|----|---|

 Component Parts (Small #) Are Included
 When Ordering The Assembly (Large #).



| FIG. | PART NO. | DESCRIPTION OF PART | NO. REQ. |
|------|----------|--|----------|
| | 1 | Cord Set | (1) |
| ★ | 2 | Warning Label | (1) |
| | 3 | Heating Element | (1) |
| | 4 | Motor and Fan Assembly | (1) |
| ★ | 5 | Complete Housing Assembly (Includes all parts not called out individually and Fig. Nos. 7 thru 10) | (1) |
| ★ | 6 | Switch Assembly | (1) |
| ★ | 7 | Service Nameplate Kit | (1) |
| | 8 | Repair Kit (Includes all ♦ Items) | (1) |
| | 9 | Nose Shield | (1) |
| | 10 | Cap | (1) |
| | 11 | Inlet Protection Cap | (1) |
| | 12 | Strain Relief | (1) |
| ★ | 13 | Caution Label | (1) |

