



SERVICE PARTS LIST

BULLETIN NO.
54-05-0605

SPECIFY CATALOG NO. AND SERIAL NO. WHEN ORDERING PARTS		REVISED BULLETIN	DATE
10 GALLON WET/DRY VACUUM CLEANER			FEB. '88
CATALOG NO. 8965	STARTING SERIAL NO. 759-1001	WIRING INSTRUCTION	

00-0

EXAMPLE:
Component Parts (Small #) Are Included
When Ordering The Assembly (Large #).

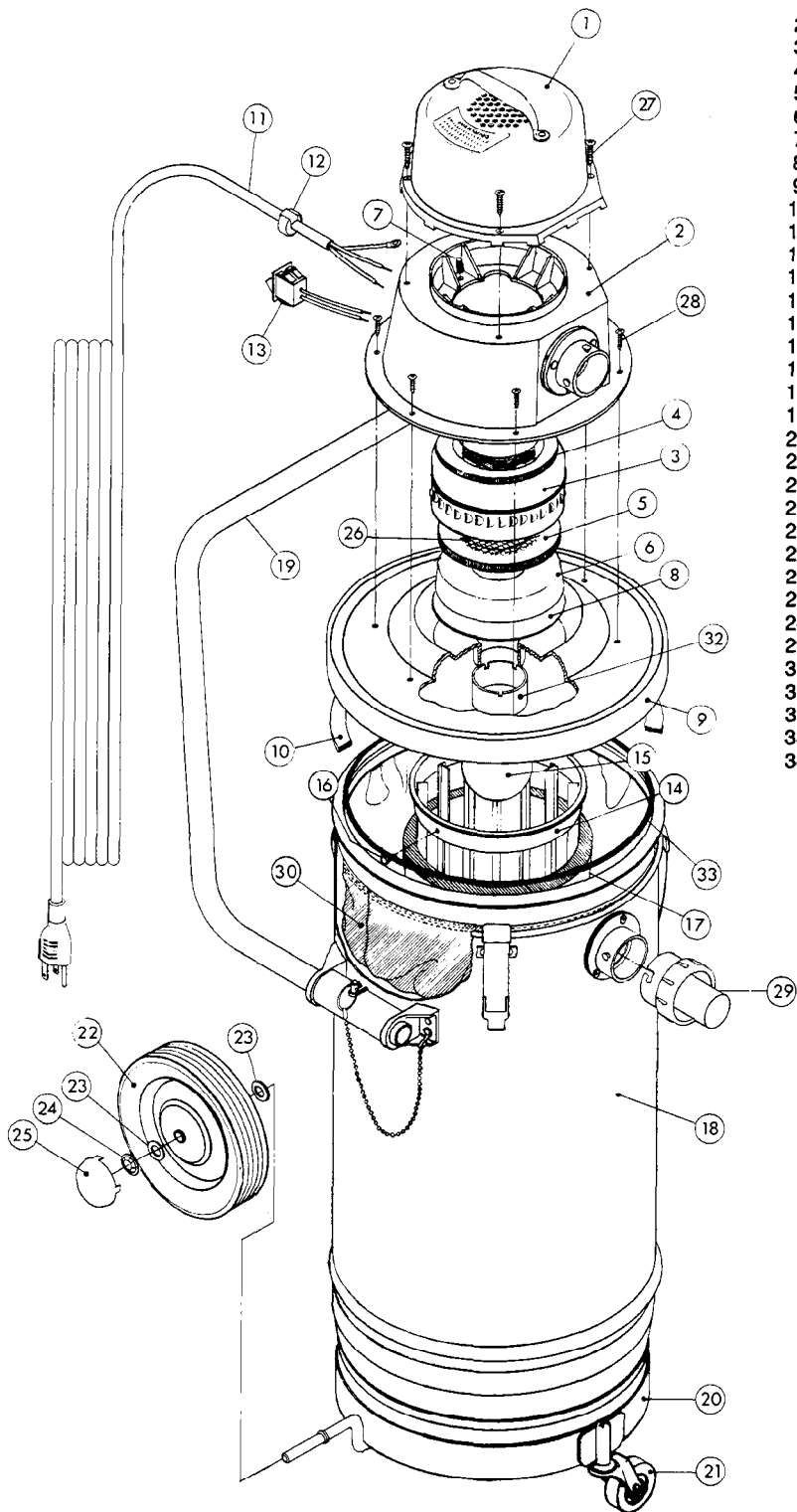


FIG.	PART NO.	DESCRIPTION OF PART	NO. REQ.
1	31-50-0720	Upper Dome Assembly	(1)
2	31-50-0730	Lower Dome Assembly	(1)
3	23-30-0240	Motor	(1)
4	43-44-0850	Upper Motor Gasket	(1)
5	43-44-0860	Lower Motor Gasket	(1)
6	42-04-3580	Motor Platform	(1)
7	06-95-5338	#10x7/8" Thrdcut Hex Hd. Screw	(4)
8	43-44-0870	Motor Platform Gasket	(1)
9	42-92-0740	Cover	(1)
10	43-44-0880	Cover Gasket	(1)
11	22-64-0695	Cord Set	(1)
12	44-76-0070	Cord Protector	(1)
13	23-66-1700	Switch	(1)
14	42-46-0160	Float Cage	(1)
15	42-46-0170	Float Ball	(1)
16	06-95-0060	#6x3/8" Slot Hex Hd.	(2)
17	49-90-1820	Foam Filter Sleeve	(1)
18	42-51-0420	Can Assembly	(1)
19	43-62-1010	Push Handle	(1)
20	43-08-0200	Dolly Ring	(1)
21	45-94-0140	Swivel Bearing Caster	(1)
22	45-94-0285	8 Inch Wheel	(2)
23	45-88-5253	Washer	(4)
24	06-57-7505	Pal Locknut	(2)
25	42-52-0220	Hub Cap	(2)
26	45-03-0140	Screen	(1)
27	06-95-3320	#8x1" Self Tap. Phillips Truss Head	(4)
28	06-95-0223	#8x3/4" Self Tap. Phillips Truss Head	(6)
29	49-90-0150	Swivel End Connector	(1)
30	49-90-0280	Cloth Filter and Gasket	(1)
31	49-90-0090	7 Ft. 1-1/2" Dia. Vacuum Hose	(1)
32	43-44-0890	Float Ball Gasket	(1)
33	42-68-0620	Filter Ring	(1)
34	42-76-0220	Molded Vac Hose Cuff End	(1)

