

# SERVICE PARTS LIST

**BULLETIN NO.**  
**54-05-0606**

SPECIFY CATALOG NO. AND SERIAL NO. WHEN ORDERING PARTS		REVISED BULLETIN 54-05-0605	DATE Jan. 2001
<b>10 GALLON WET/DRY VACUUM CLEANER</b>			
CATALOG NO. <b>8965</b>	STARTING SERIAL NO. <b>759A</b>	WIRING INSTRUCTION <b>SEE REVERSE SIDE</b>	

EXAMPLE:  
Component Parts (Small #) Are Included  
When Ordering The Assembly (Large #).

00  
0

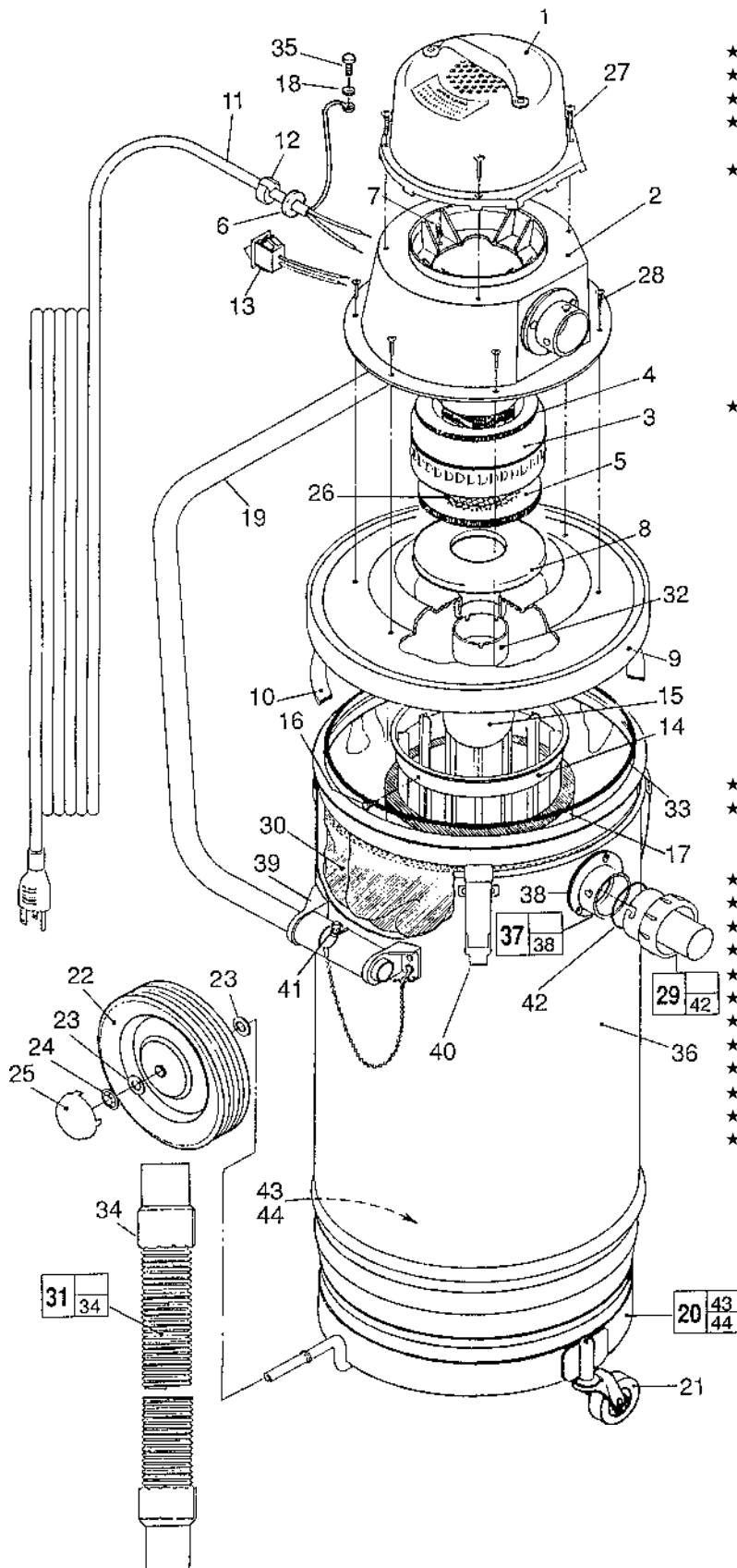


FIG.	PART NO.	DESCRIPTION OF PART	NO. REQ.
1	31-50-0720	Upper Dome Assembly	(1)
2	31-50-0730	Lower Dome Assembly	(1)
★ 3	23-30-0160	Motor	(1)
★ 4	43-44-1015	Upper Motor Gasket	(1)
★ 5	43-44-0500	Lower Motor Gasket	(1)
★ 6	45-88-8355	Washer	(1)
7	06-95-5338	#10x7/8" Thrdcut Hex Hd. Screw	(4)
★ 8	43-44-1030	Gasket	(1)
9	42-92-0740	Cover	(1)
10	43-44-0880	Cover Gasket	(1)
11	22-64-0695	Cord Set	(1)
12	44-76-0070	Cord Protector	(1)
13	23-66-1700	Switch	(1)
14	42-46-0160	Float Cage	(1)
15	42-46-0170	Float Ball	(1)
16	06-95-0060	#6x3/8" Slot Hex Hd.	(2)
17	49-90-1820	Foam Filter Sleeve	(1)
★ 18	45-88-8678	#10 Lockwasher	(1)
19	43-62-1010	Push Handle	(1)
20	43-08-0200	Dolly Ring	(1)
21	45-94-0140	Swivel Bearing Caster	(1)
22	45-94-0285	8 Inch Wheel	(2)
23	45-88-5253	Washer	(4)
24	06-57-7505	Pal Locknut	(2)
25	42-52-0220	Hub Cap	(2)
26	45-03-0140	Screen	(1)
27	06-95-3320	#8x1" Self Tap. Phillips Truss Head	(4)
28	06-95-0223	#8x3/4" Self Tap. Phillips Truss Head	(6)
29	49-90-0150	Swivel End Connector	(1)
30	49-90-0280	Cloth Filter and Gasket	(1)
31	49-90-0090	7 Ft. 1-1/2" Dia. Vacuum Hose	(1)
32	43-44-0890	Float Ball Gasket	(1)
33	42-68-0620	Filter Ring	(1)
★ 34	42-76-0220	Molded Vac Hose Cuff End	(2)
★ 35	06-81-1850	10-32 x .31 Screw	(1)
36	42-51-0420	Can Assembly (Includes Fig. Nos. 37 thru 41)	(1)
★ 37	42-86-0080	Inlet Connector Assembly	(1)
★ 38	43-44-0370	Gasket	(1)
★ 39	42-36-1550	Handle Bracket	(2)
★ 40	42-68-0291	Holddown Clamp	(3)
★ 41	44-60-0860	Pin Ring Assembly	(2)
★ 42	43-44-0275	Fitted Gasket	(1)
★ 43	06-10-3220	1/4-20 x 1" Bolt	(1)
★ 44	06-55-3795	1/4-20 Hex Nut	(1)
★	49-90-0302	Paper Filter Bag (Package of 5)	(1)
★	10-20-8965	Warning Label	(1)
★	10-05-1365	Handle Warning Label	(1)
★	12-20-8900	Service Nameplate Kit	(1)

**MILWAUKEE ELECTRIC TOOL CORPORATION**  
13135 W. LISBON RD., BROOKFIELD, WI 53005

# WIRING SCHEMATIC

8965

