



# SERVICE PARTS LIST

BULLETIN NO.  
54-05-0557

SPECIFY CATALOG NO. AND SERIAL NO. WHEN ORDERING PARTS		REVISED BULLETIN	DATE
<b>10 GALLON WET OR DRY VACUUM CLEANER</b>		54-05-0556	Mar. 2001
CATALOG NO. <b>8955</b>	STARTING SERIAL NO. <b>S9</b>	WIRING INSTRUCTION	

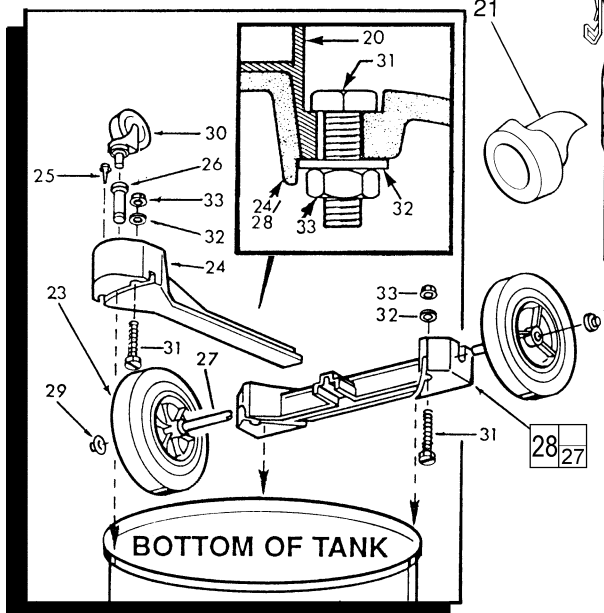
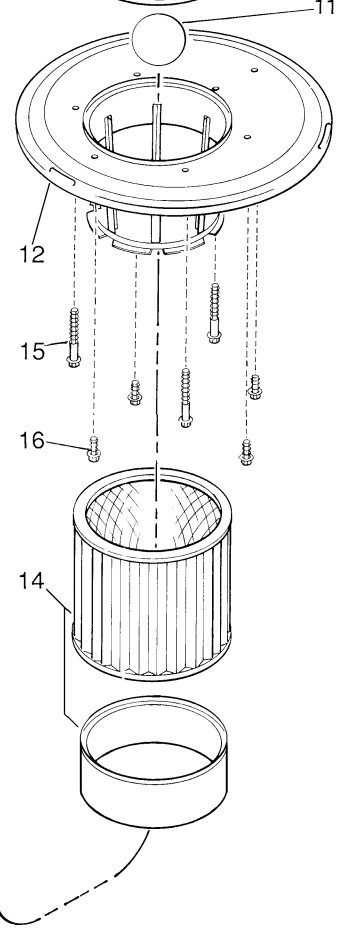
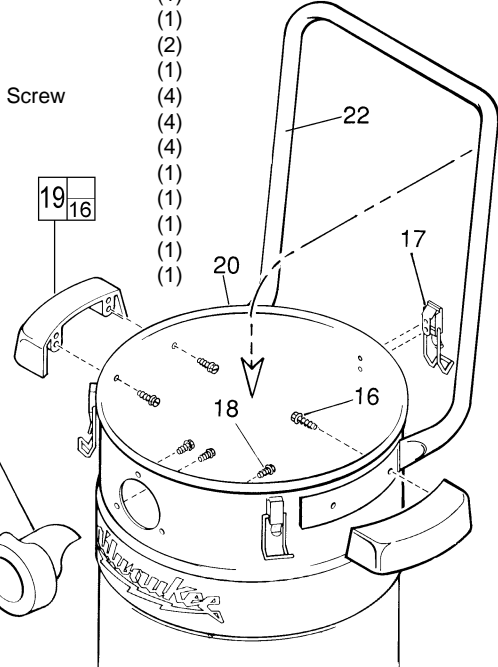
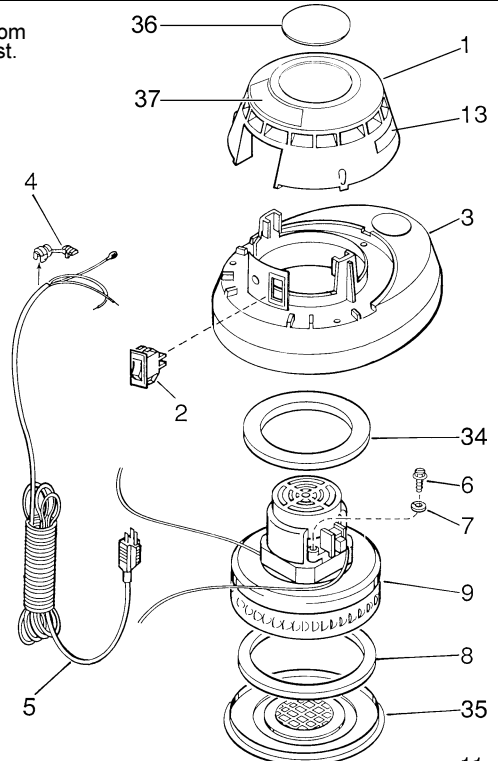
**EXAMPLE:**

00 0

Component Parts (Small #) Are Included When Ordering The Assembly (Large #).

★ = Part number change from previous service parts list.

FIG.	PART NO.	DESCRIPTION OF PART	NO. REQ.
	1	31-15-0136 Housing Cap	(1)
★	2	23-66-2545 Switch	(1)
★	3	31-50-0182 Motor Housing	(1)
	4	22-90-0145 Strain Relief Bushing	(1)
★	5	22-64-0147 Power Cord	(1)
	6	06-95-5319 #10 x 3/8" Slit. Hex Hd. Ground Screw	(1)
	7	06-97-3400 #10 Split Ring Lockwasher	(1)
	8	43-44-0555 Motor Bottom Gasket	(1)
	9	23-30-0165 Motor	(1)
	11	42-46-0100 Ball Float	(1)
	12	31-15-0145 Plastic Cover Lid	(1)
★	13	12-99-8957 Service Nameplate	(1)
	14	49-90-1830 Cartridge Filter	(1)
	15	06-95-5391 #10 x 3" Self-Tapping Slit. Hex Hd. Screw	(3)
	16	06-95-5330 #10 x 3/4" Self-Tapping Slit. Hex Hd. Screw	(8)
	17	42-68-0410 Buckle	(3)
	18	06-95-5320 #10 x 1/2" Slit. Hex Hd. Screw	(3)
	19	14-34-0440 Handle Package (2 Handles and 4 Screws)	(1)
	20	44-66-0086 Tank	(1)
	21	42-86-0120 Inlet Fitting	(1)
	22	43-62-1040 Metal Handle	(1)
	23	45-94-0295 Wheel	(2)
	24	43-40-0280 Front Frame	(1)
	25	06-81-4960 #8 x 1/2" Type A Phillips	(1)
	26	44-66-0870 Caster Socket	(1)
	27	----- Axle	(1)
	28	43-40-0300 Rear Frame	(1)
	29	42-52-0270 Hub Cap	(2)
	30	45-94-0290 Caster	(1)
	31	06-75-0100 1/4-20 x 3/4" Hex Hd. Mach. Screw	(4)
	32	45-88-7500 1/4" Flatwasher	(4)
	33	06-55-1525 1/4"-20 Hex Nut	(4)
	34	43-44-0540 Motor Top Gasket	(1)
	35	44-66-5365 Motor Plate	(1)
	36	10-20-8950 Warning Label	(1)
	37	10-20-8955 French/Spanish Label	(1)
		22-18-0195 Carbon Brush Set	(1)



MILWAUKEE ELECTRIC TOOL CORPORATION  
13135 W. LISBON RD., BROOKFIELD, WI 53005