



SERVICE PARTS LIST

BULLETIN NO.
54-05-0451

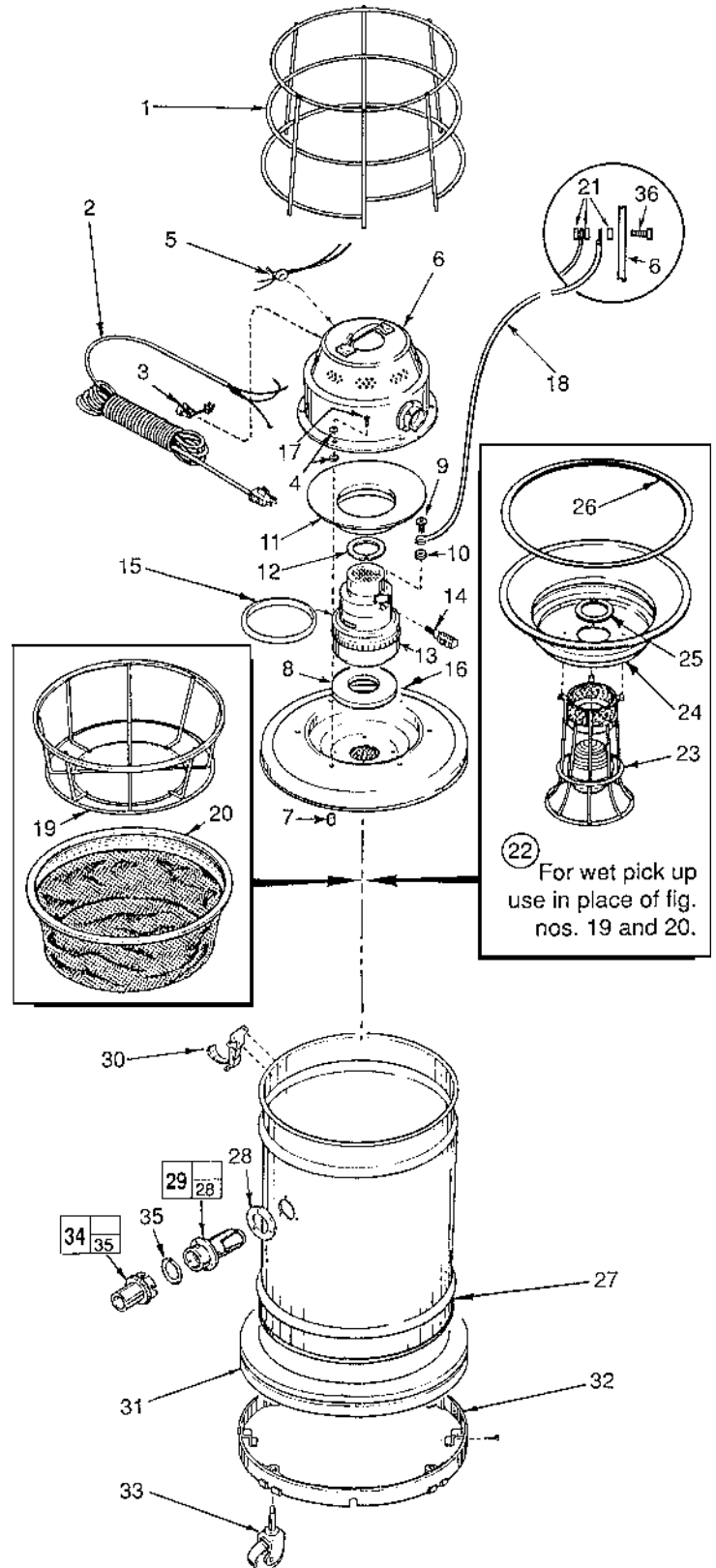
SPECIFY CATALOG NO. AND SERIAL NO. WHEN ORDERING PARTS		REVISED BULLETIN	DATE
HEAVY-DUTY VACUUM CLEANER		54-05-0450	Jan. 2001
CATALOG NO.	8935	WIRING INSTRUCTION SEE REVERSE SIDE	
STARTING SERIAL NO.	638A		

EXAMPLE:



Component Parts (Small #)
Are Included When Ordering
The Assembly (Large #).

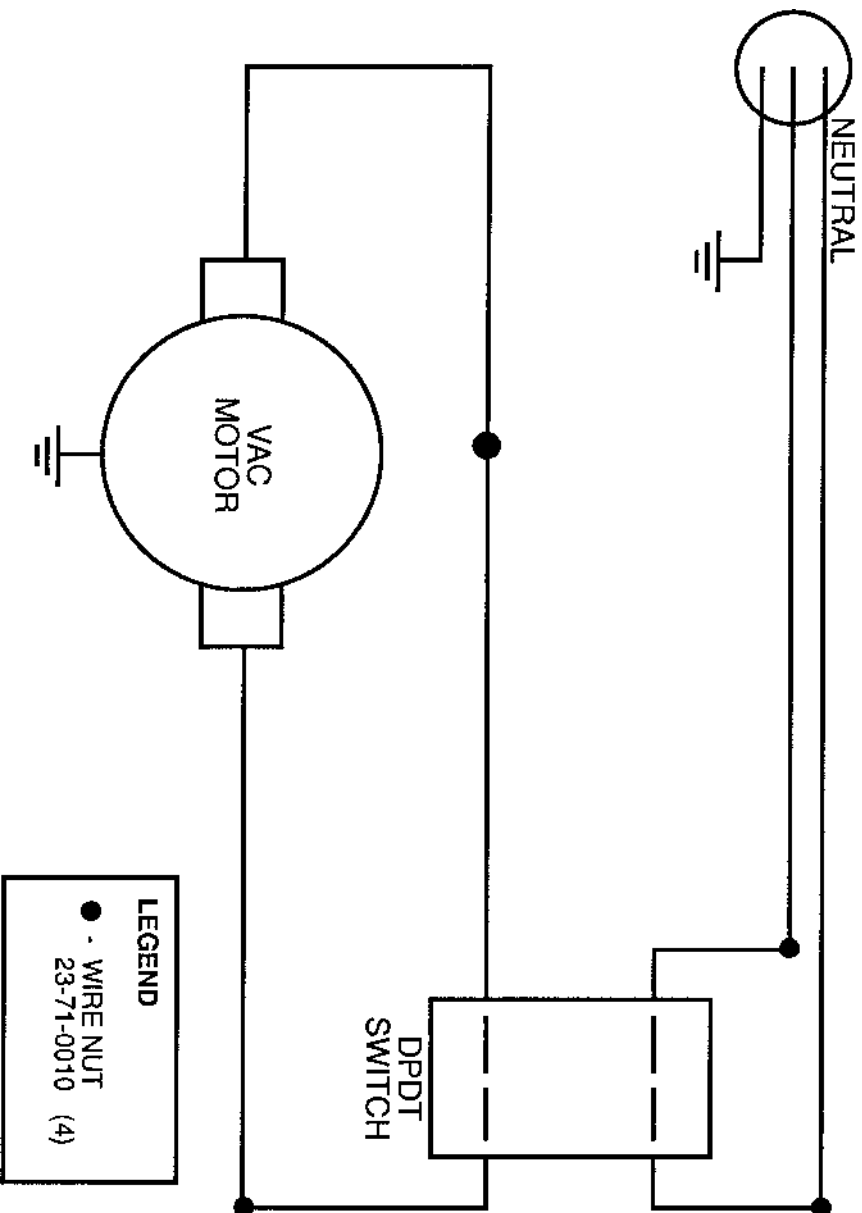
FIG.	PART NO.	DESCRIPTION OF PART	NO. REQ.
	1	49-90-0170 Hose Cage	(1)
	2	22-64-0700 Cord Set	(1)
	3	44-76-0020 Cord Protector	(1)
★	4	45-88-8680 #12 Lockwasher	(2)
	5	23-66-0870 Switch	(1)
	6	42-92-0350 Motor Cover Assembly	(1)
★	7	44-76-0275 Screw Protector	(6)
★	8	43-44-1015 Gasket	(1)
★	9	06-81-1850 10-32 x .31 Screw	(1)
★	10	45-88-8678 #10 Lockwasher	(1)
	11	42-04-0440 Motor Adapter	(1)
	12	43-44-0360 Motor Top Gasket	(1)
	13	23-30-0100 Small Bypass Motor Assembly	(1)
★	14	22-18-0530 Carbon Brush and Holder (Set)	(1)
★	15	43-44-0390 Motor Gasket	(1)
	16	42-92-0310 Container Cover with Screen	(1)
★	17	06-81-1815 12-14 x 1/2" Screw	(6)
★	18	23-74-1275 Lead Wire	(1)
	19	49-90-0290 Wire Frame	(1)
	20	49-90-0280 Cloth Filter and Gasket	(1)
★	21	06-55-3800 10-24 Hex Nut	(3)
	22	49-90-1620 Wet Pick-Up Conversion Pan Assembly (Includes Fig. Nos. 23 thru 26)	(1)
	23	42-46-0110 Float Cage Assembly	(1)
	24	44-54-0060 Wet Pan Adapter	(1)
	25	43-44-0340 Shut Off Gasket	(1)
	26	43-44-0420 Gasket	(1)
	27	42-51-0380 Steel Dust Container Assembly (Includes Fig. Nos. 28 thru 30)	(1)
	28	43-44-0370 Gasket	(1)
	29	42-86-0080 Inlet Connector Assembly	(1)
★	30	42-68-0291 Holddown Clamp	(3)
	31	42-38-0120 Bumper	(1)
	32	43-08-0170 Dolly Ring Body	(1)
	33	45-94-0140 Swivel Bearing Caster	(4)
	34	49-90-0150 Swivel End Connector	(1)
	35	43-44-0275 Gasket	(1)
★	36	06-81-1812 10-24 x 3/4" Screw	(1)
★		49-90-0312 Paper Filter Bags (Package of 5)	(1)
★		23-71-0010 Wire Nut	(4)
★		22-38-0170 Wire Tie	(2)
★		10-05-5050 Conversion Label	(1)
★		10-20-8900 Warning Label	(1)
★		12-20-8900 Service Nameplate Kit	(1)



WIRING SCHEMATIC

8911, 8912, 8912-2, 8925, 8925-2

8926, 8935, 8945, 8945-2



LEGEND
● - WIRE NUT
23-71-0010 (4)