



# SERVICE PARTS LIST

BULLETIN NO.  
54-05-0025

SPECIFY CATALOG NO. AND SERIAL NO. WHEN ORDERING PARTS		REVISED BULLETIN	DATE
<b>PRO-VAC</b>			Aug. '95
CATALOG NO. <b>8934</b>	DATE CODE <b>S-1</b>	WIRING INSTRUCTION <b>SEE BELOW</b>	

EXAMPLE:  

00	0
----	---

 Component Parts (Small #) Are Included  
 When Ordering The Assembly (Large #).

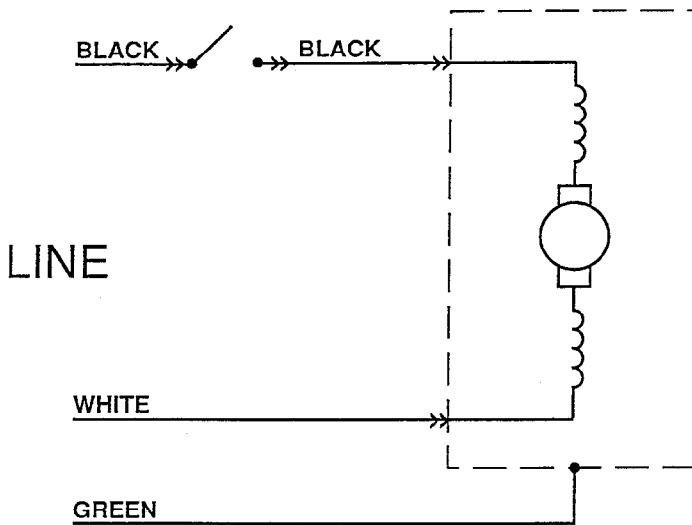
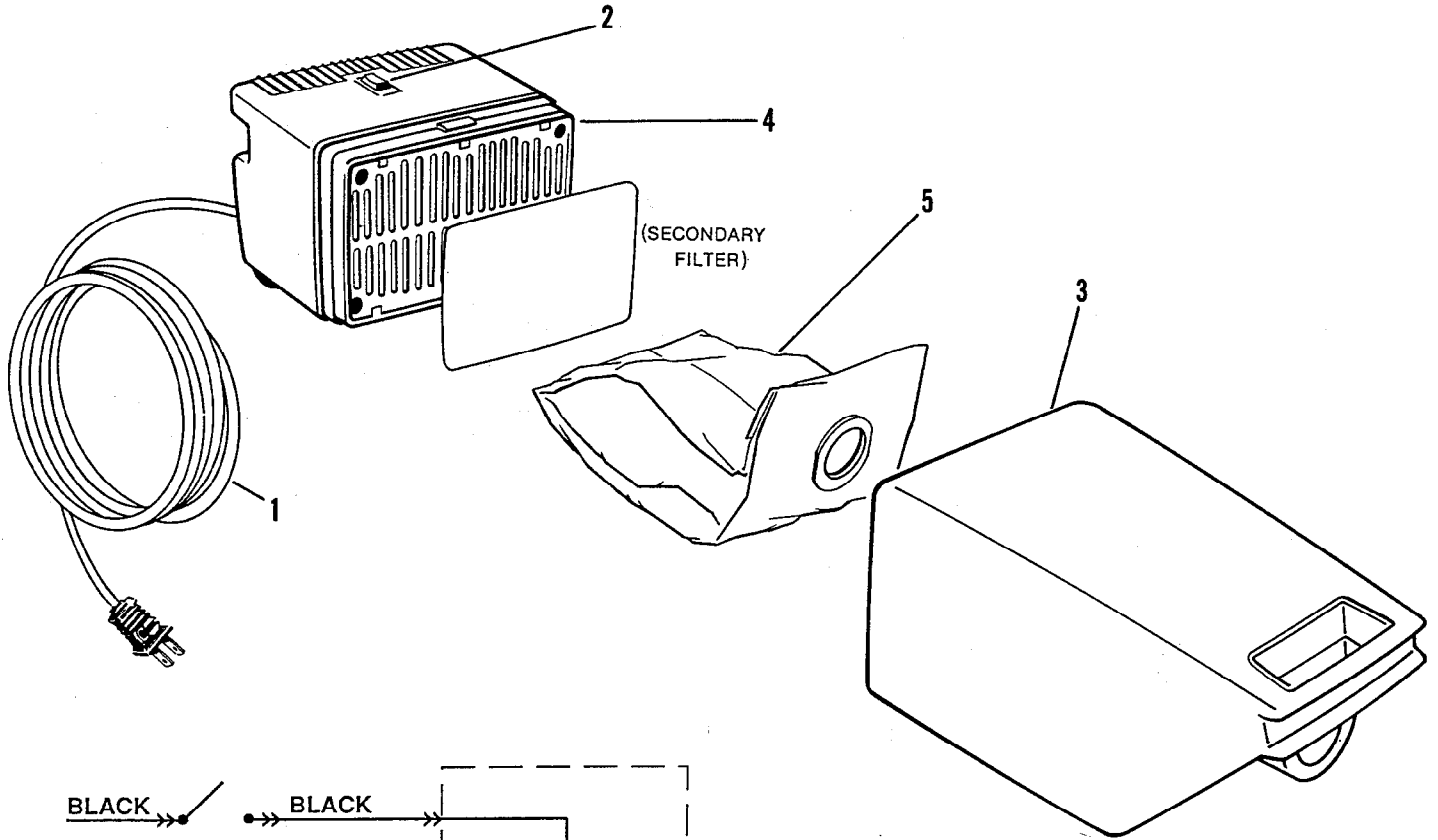


FIG.	PART NO.	DESCRIPTION OF PART	NO. REQ.
1	22-64-8934	Cord Set	(1)
2	23-66-8934	Switch	(1)
3	45-66-0125	Vac Tank	(1)
4	23-30-0125	Motor Assembly <i>(Includes secondary filter, cord and switch)</i>	(1)
5	49-90-0305	Paper Filter Bags <i>Consists of 3 filter bags and 1 secondary filter</i>	(1)
	49-90-0255	Cloth Filter Bag <i>Consists of 1 cloth filter and 1 secondary filter</i>	(1)
	49-90-0095	1-1/4" x 3' Hose	(1)
	49-90-1745	Crevice Tool	(1)
	49-90-1755	Utility Nozzle	(1)
	42-70-0325	Switch U Clip	(1)
	44-76-0200	Cord Protector	(1)
	42-36-0125	Wall Bracket	(1)
	10-05-8934	Warning Label	(1)