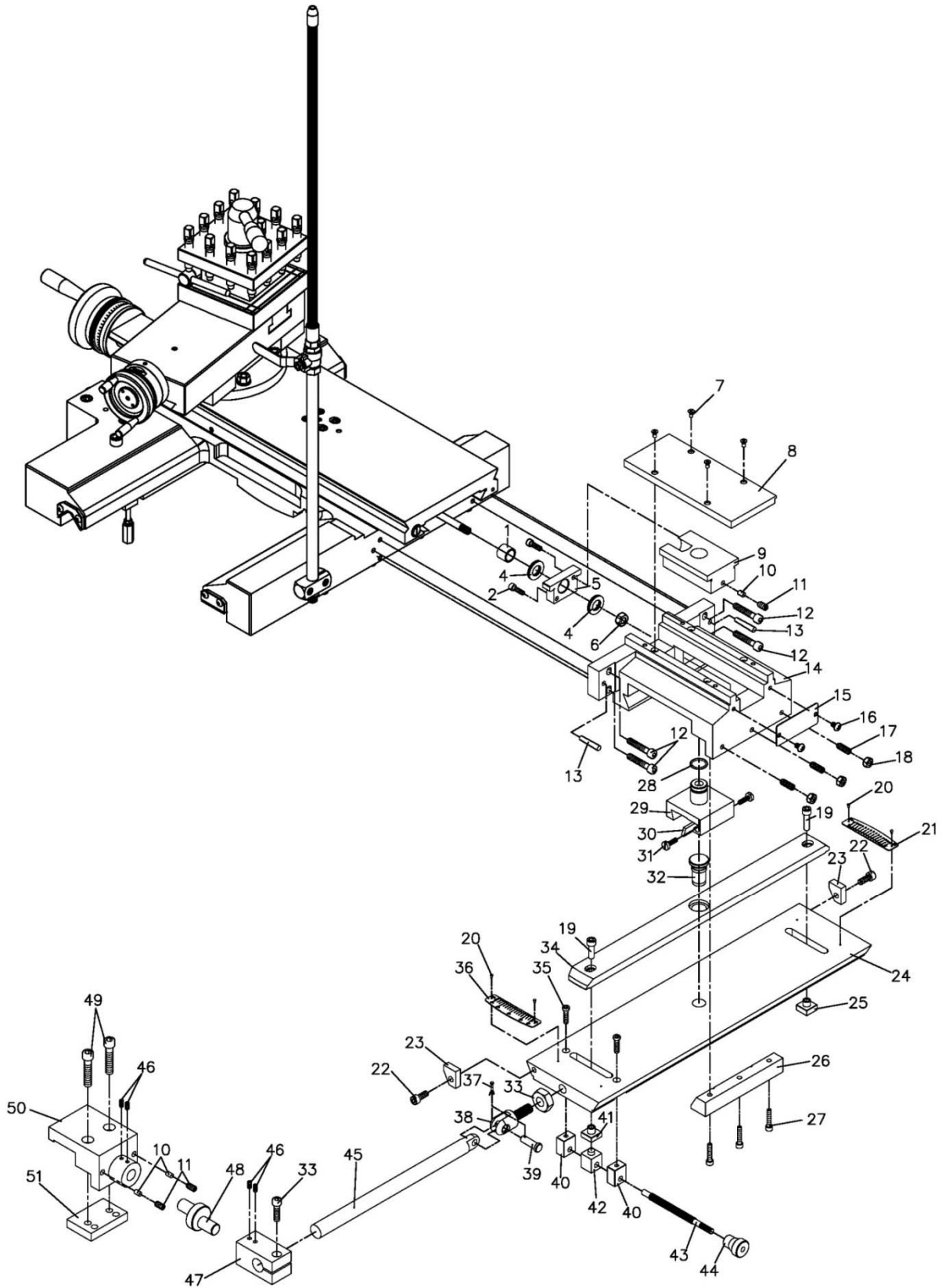


Taper Attachment Assembly for EGH-1880, 2180, 21120 JET® ELITE Lathes



Taper Attachment Assembly for EGH-1880, 2180, 21120 JET® ELITE Lathes

Index No.	Part No.	Description	Size	Qty.
	892254	Taper Attachment Assembly (#1 thru 51)		1
1	EGH1880-N01	Collar		1
2	TS-1503051	Hex. Socket Head Bolt	CAP 6x20	2
4	EGH1880-N03	Thrust Bearing	NTB/AS2 1730	2
5	EGH1880-N04	Yoke Plate		1
6	TS-154010	Nut	M16	1
7	TS-2246101	Flat Hexagon Screw	M6x10	4
8	EGH1880-N07	Cover Plate		1
9	EGH1880-N08	Yoke		1
10	EGH1880-N09	Copper Pin		3
11	TS-1524041	Set Screw	SET8x16	3
12	TS-1504091	Hex. Socket Head Bolt	CAP 8x45	4
13	EGH1880-N12	Taper Pin	#6x1 1/2"	2
14	EGH1880-N13	Main Bracket		1
15	EGH1880-N14	Plate		1
16	TS-1534032	Done Cross Screw	M6x10	2
17	TS-1524061	Set Screw	SET 8x25	3
18	TS-2311081	Hexagon Nut	M8	3
19	TS-1504061	Hex. Socket Head Bolt	CAP 8x30	2
20	EGH1880-N19	Rivet	Ø2	4
21	EGH1880-N20	Name Plate		1
22	TS-1504041	Hex. Socket Head Bolt	CAP 8x20	2
23	EGH1880-N22	Stop		2
24	EGH1880-N23	Plate		1
25	EGH1880-N24	Nut		1
26	EGH1880-N25	Gib		1
27	TS-1503071	Hex. Socket Head Bolt	CAP 6x30	3
28	EGH1880-N27	O Ring	P21	1
29	EGH1880-N28	Side Block		1
30	EGH1880-N29	Gib		1
31	EGH1880-N30	Screw		2
32	EGH1880-N31	Slide Pivot Pin		1
33	TS-154009	Nut	M14	1
34	EGH1880-N33	Swivel Slide		1
35	TS-1503061	Hex. Socket Head Bolt	CAP6x25	2
36	EGH1880-N35	Name Plate		1
37	EGH1880-N36	Split Pin	Ø2.5x16	1
38	EGH1880-N37	Bolt		1
39	EGH1880-N38	Pin		1
40	EGH1880-N39	Block		2
41	EGH1880-N40	Nut		1
42	EGH1880-N41	Nut		1
43	EGH1880-N42	Screw		1
44	EGH1880-N43	Nut		1
45	EGH1880-N44	Bolt		1
46	TS-1523041	Set Screw	SET 6x12	4
47	EGH1880-N46	Bracket		1
48	EGH1880-N47	Eccentric Pin		1
49	TS-1505081	Hex. Socket Head Bolt	CAP 10x50	2
50	EGH1880-N49	Bracket		1
51	EGH1880-N50	Hub		1